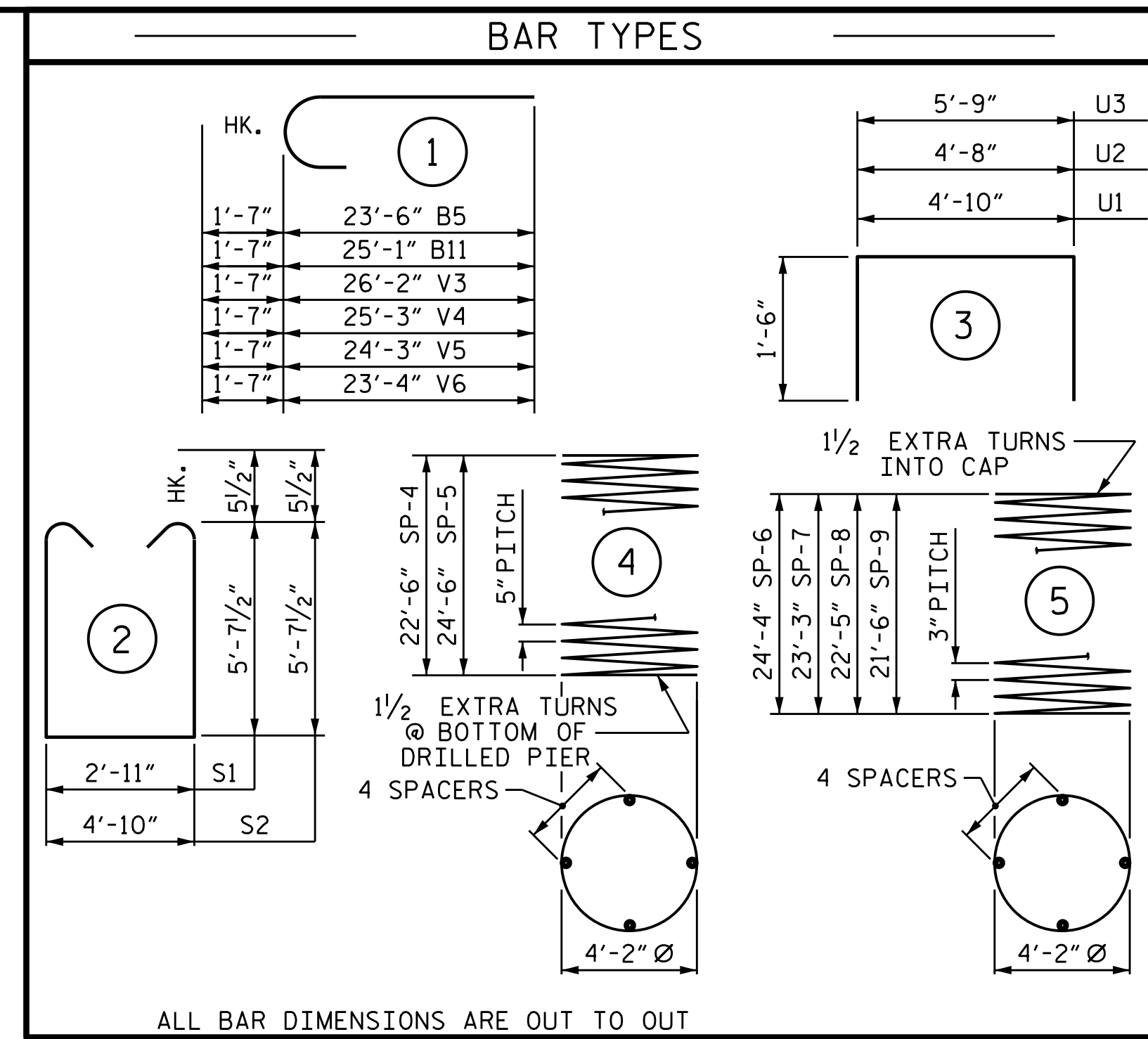


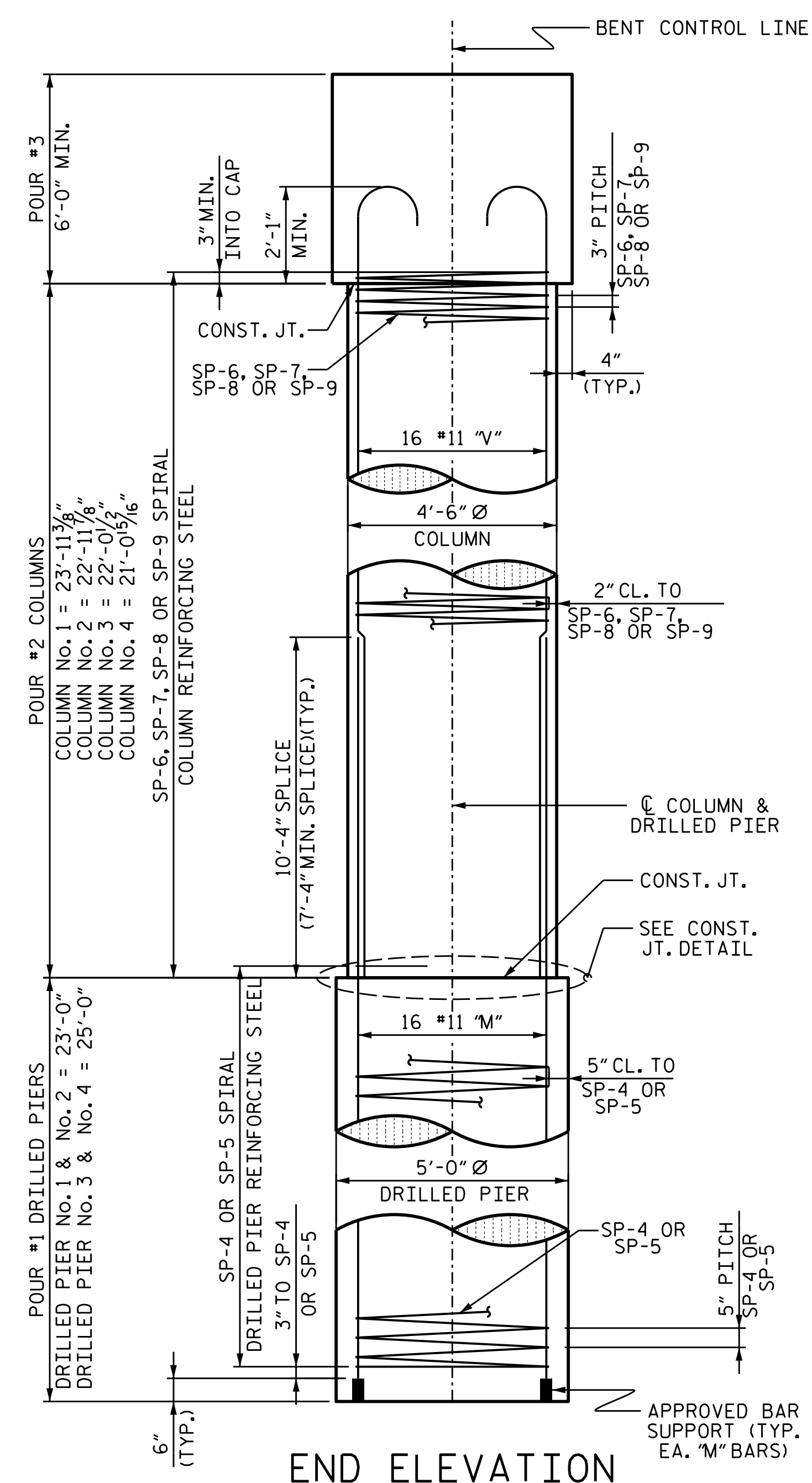
PLAN OF DRILLED PIERS & COLUMNS



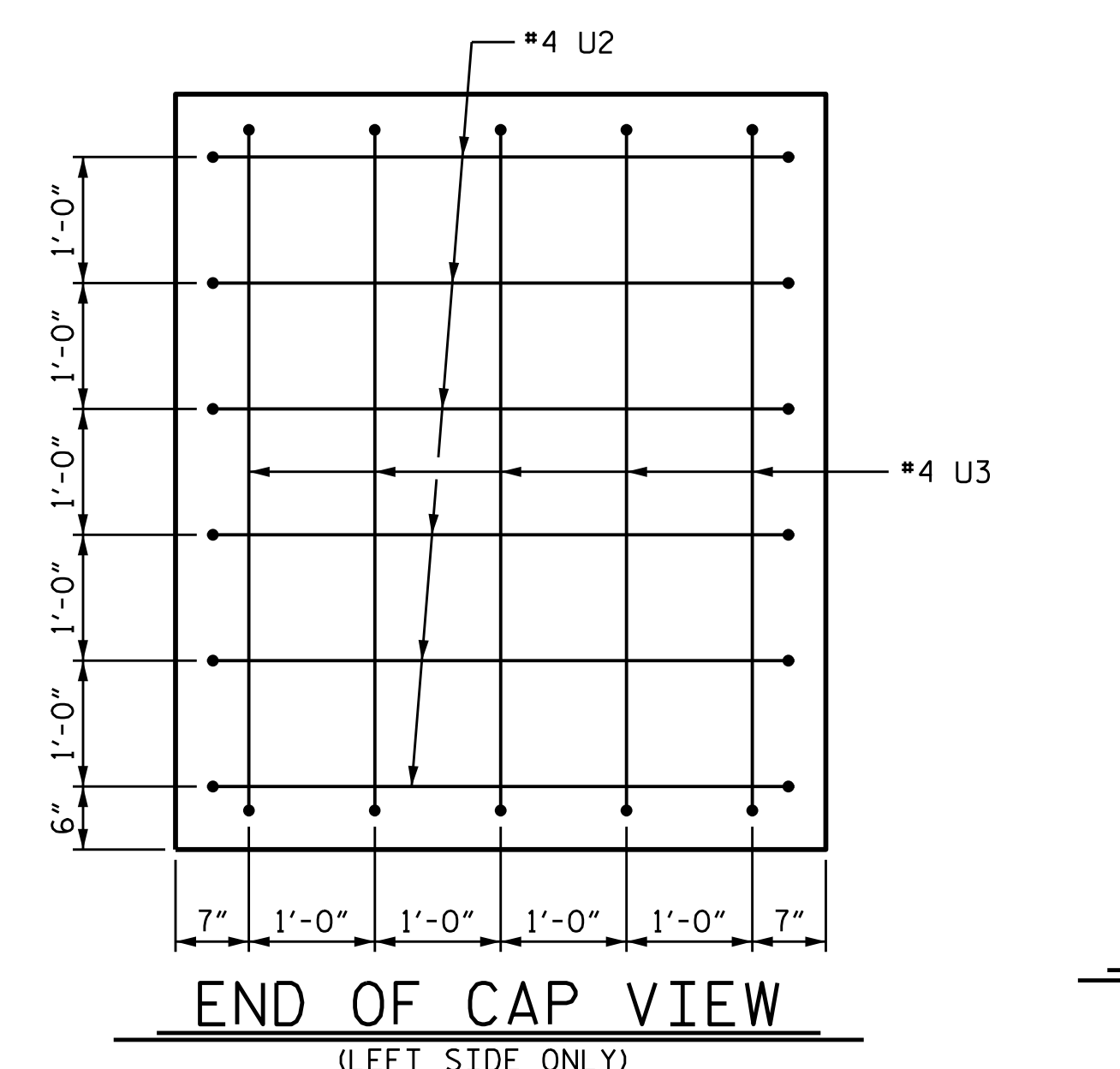
BAR TYPES

BILL OF MATERIAL

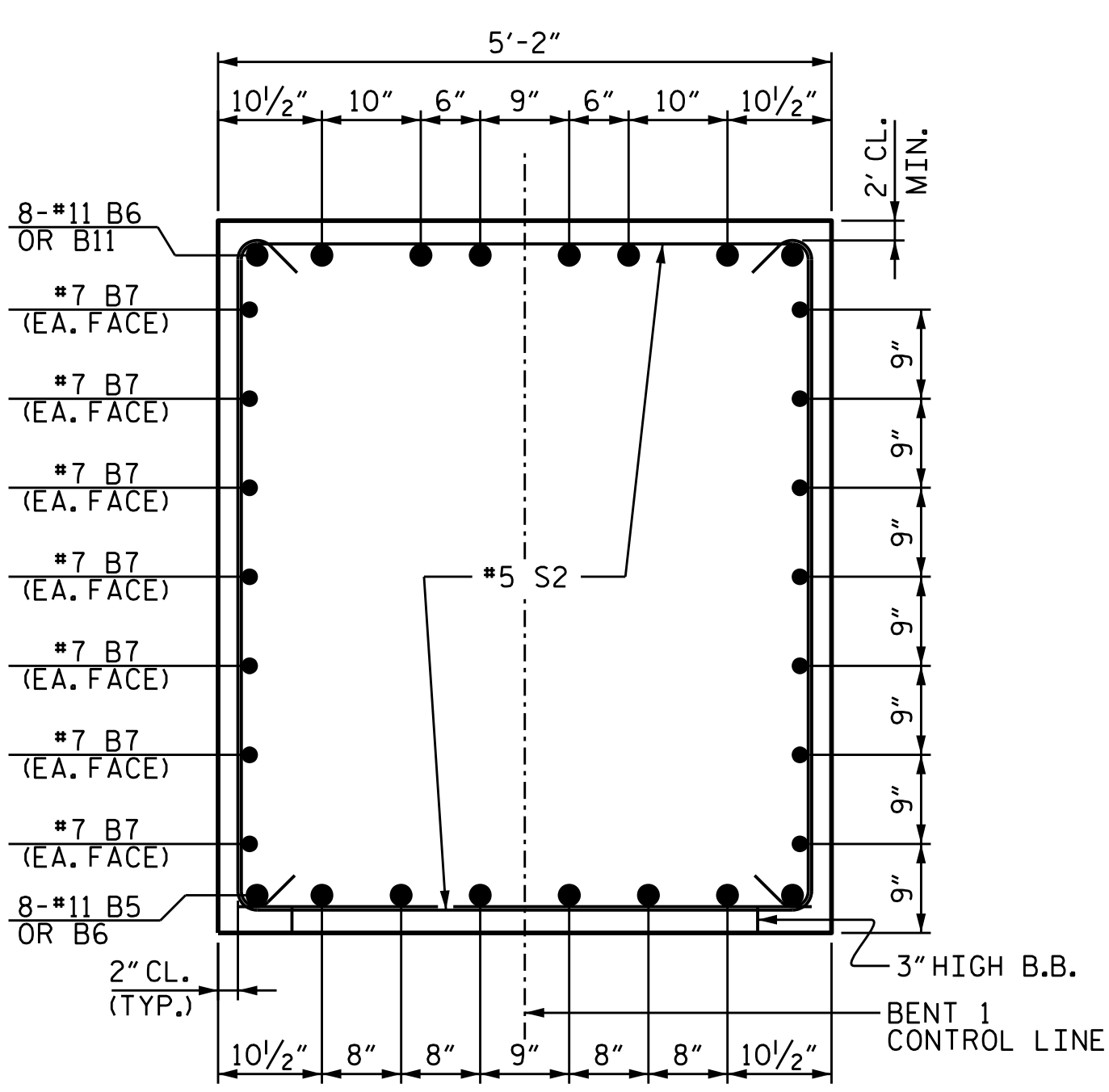
BENT 1 STAGE II					
BAR NO.	NO.	SIZE	TYPE	LENGTH	WEIGHT
B5	8	#11	1	25'-1"	1,066
B6	16	#11	STR	60'-0"	5,100
B7	28	#7	STR	41'-9"	2,389
B8	48	#4	STR	11'-3"	361
B9	8	#4	STR	6'-5"	34
B10	8	#4	STR	3'-11"	21
B11	8	#11	1	26'-8"	1,133
M2	32	#11	STR	32'-10"	5,582
M3	32	#11	STR	34'-10"	5,922
S1	176	#5	2	15'-1"	2,769
S2	24	#5	2	17'-0"	426
U1	77	#4	3	7'-10"	403
U2	6	#4	3	7'-8"	31
U3	5	#4	3	8'-9"	29
V3	16	#11	1	27'-9"	2,359
V4	16	#11	1	26'-10"	2,281
V5	16	#11	1	25'-10"	2,196
V6	16	#11	1	24'-11"	2,118
REINFORCING STEEL				34,220 LBS.	
SP-4	2	*	4	724'-4"	1,511
SP-5	2	*	4	788'-11"	1,646
SP-6	1	**	5	1,283'-3"	857
SP-7	1	**	5	1,231'-5"	823
SP-8	1	**	5	1,192'-6"	797
SP-9	1	**	5	1,140'-8"	762
SPIRAL COLUMN REINFORCING STEEL				6,396 LBS.	
* THE SP-4 OR SP-5 SPIRAL REINFORCING STEEL SHALL BE W31 OR D-31 COLD DRAWN WIRE OR #5 PLAIN OR DEFORMED BAR					
** THE SP-6, SP-7, SP-8 OR SP-9 SPIRAL REINFORCING STEEL SHALL BE W20 OR D-20 COLD DRAWN WIRE OR #4 PLAIN OR DEFORMED BAR					
CLASS A CONCRETE BREAKDOWN					
POUR #2 (COLUMNS)				53.0 C.Y.	
POUR #3 (CAP)				97.1 C.Y.	
TOTAL CLASS A CONCRETE				150.1 C.Y.	
DRILLED PIERS:					
POUR #1				69.8 C.Y.	
5'-0" Ø DRILLED PIERS NOT IN SOIL				57.00 LIN. FT.	
5'-0" Ø DRILLED PIERS IN SOIL				39.00 LIN. FT.	
PERMANENT STEEL CASING FOR 5'-0" Ø DRILLED PIERS				32.00 LIN. FT.	
CSL TUBES				510.00 LIN. FT.	



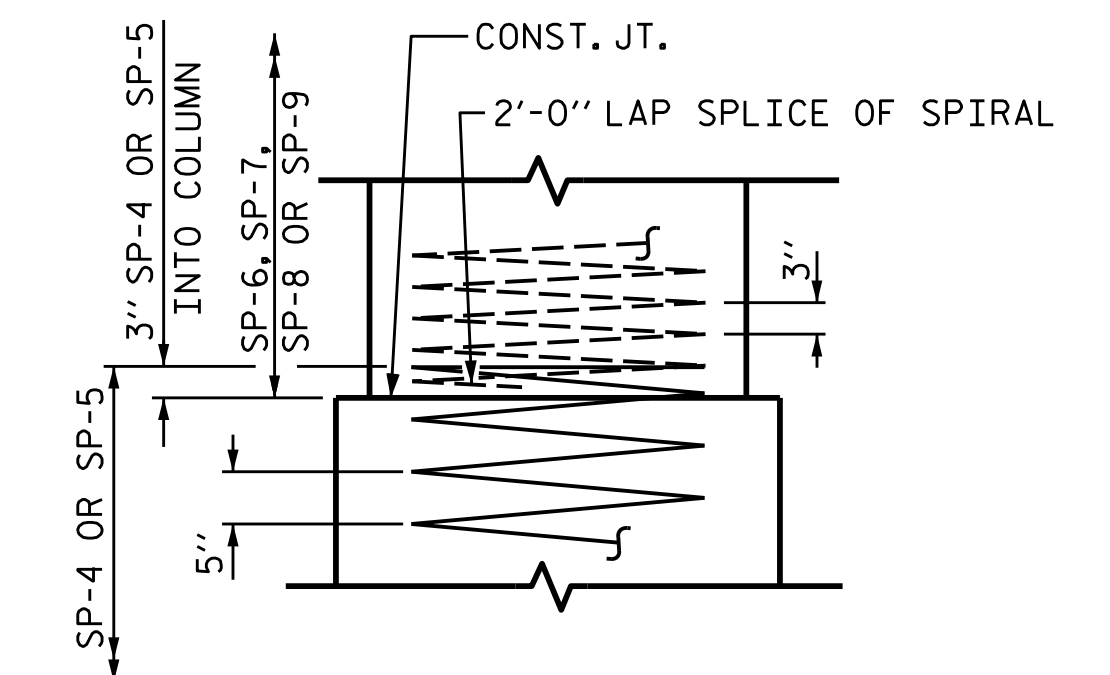
END ELEVATION



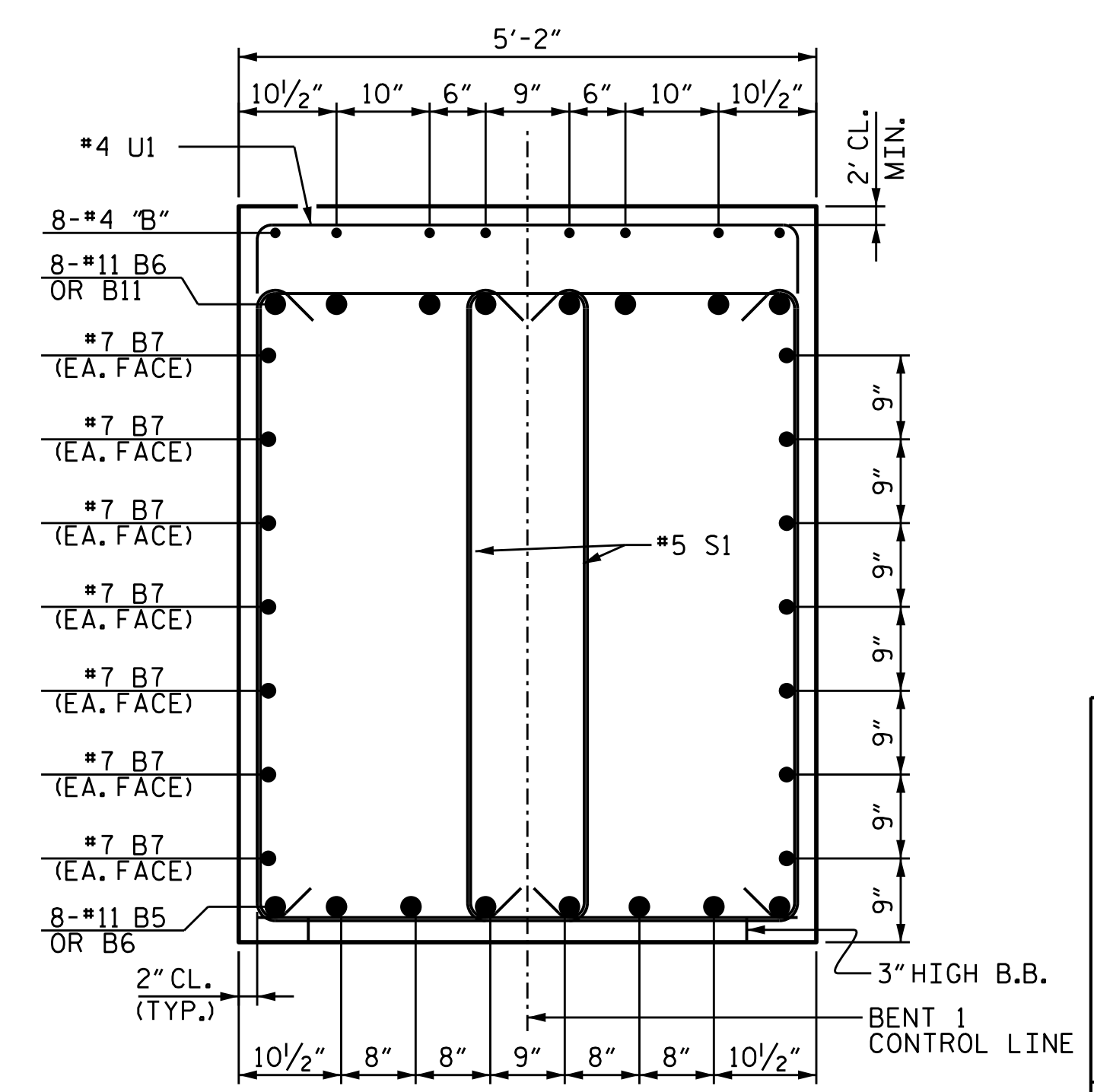
END OF CAP VIEW (LEFT SIDE ONLY)



SECTION A-A



CONSTRUCTION JOINT DETAIL



SECTION B-B

TOTAL BENT 1 QUANTITIES	
REINFORCING STEEL	50,579 LBS.
SPIRAL COLUMN REINFORCING STEEL	9,651 LBS.
CLASS A CONCRETE	213.5 C.Y.
DRILLED PIER CONCRETE	110.5 C.Y.
5'-0" Ø DRILLED PIERS NOT IN SOIL	86.00 LIN. FT.
5'-0" Ø DRILLED PIERS IN SOIL	66.00 LIN. FT.
PERMANENT STEEL CASING FOR 5'-0" Ø DRILLED PIERS	48.00 LIN. FT.
CSL TUBES	805.00 LIN. FT.

DRAWN BY : JLA DATE : 4/19
 CHECKED BY : RAR DATE : 5/19
 DESIGN ENGINEER OF RECORD : TBE DATE : 6/19

STATE OF NORTH CAROLINA
 DEPARTMENT OF TRANSPORTATION
 RALEIGH

SUBSTRUCTURE
 BENT 1
 STAGE II

9/30/2021 | 1:43 PM EDT

DOCUMENT NOT CONSIDERED FINAL UNLESS ALL SIGNATURES COMPLETED

TGS ENGINEERS
 804-C N. LAFAYETTE ST
 SHELBY, NC 28150
 PH (704) 476-0003
 CORP. LICENSE NO.: C-0275

PROJECT NO. R-2566BA
 WATAUGA COUNTY
 STATION: 164+30.00-L-

SHEET 2 OF 2

REVISIONS					
NO.	BY:	DATE:	NO.	BY:	DATE:
1			3		
2			4		

SHEET NO. S-64
 TOTAL SHEETS 79