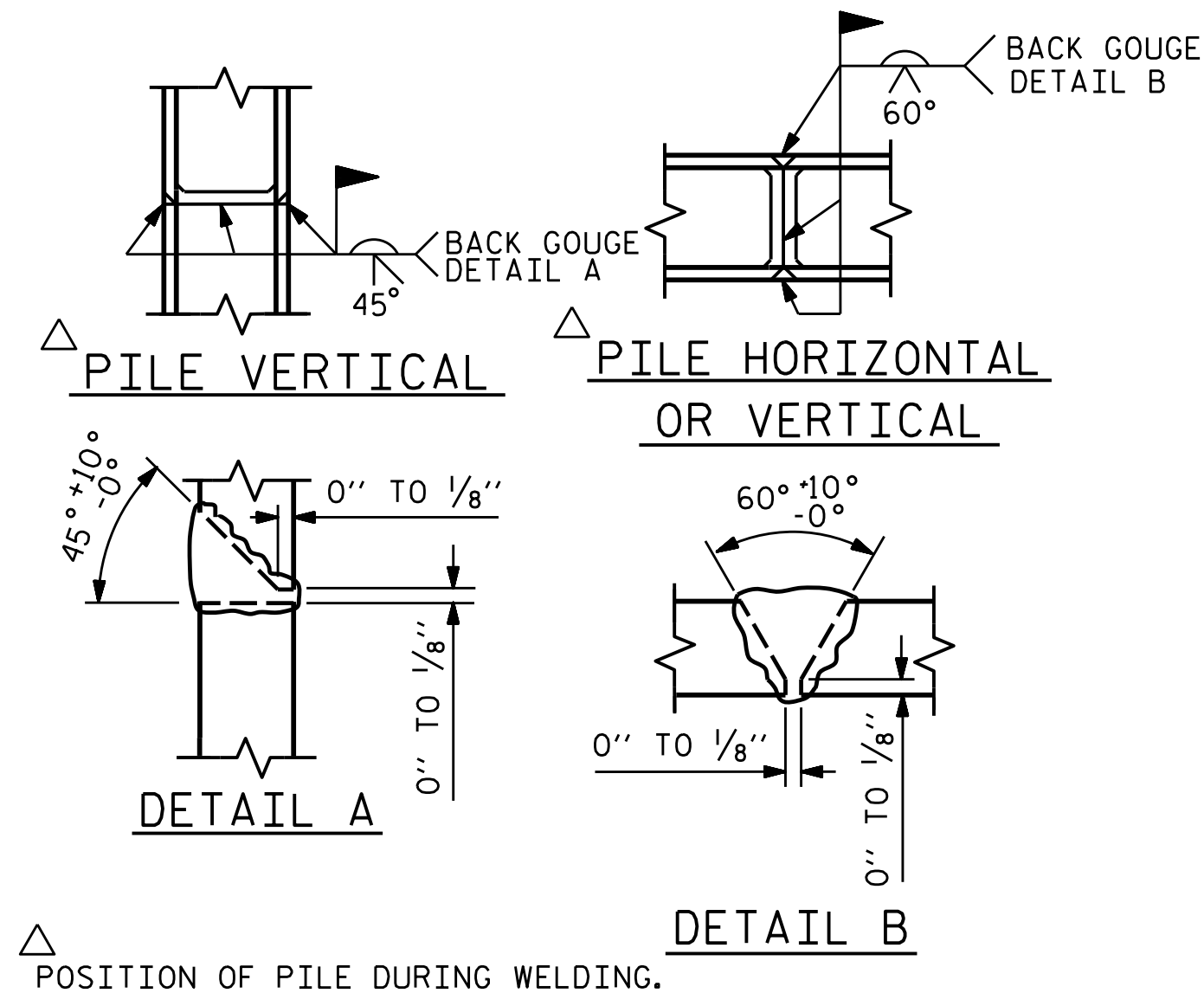


BAGGED STONE AND PIPE SHALL BE PLACED IMMEDIATELY AFTER COMPLETION OF END BENT EXCAVATION. PIPE MAY BE EITHER CONCRETE, CORRUGATED STEEL, CORRUGATED ALUMINUM ALLOY, OR CORRUGATED PLASTIC. PERFORATED PIPE WILL NOT BE ALLOWED.

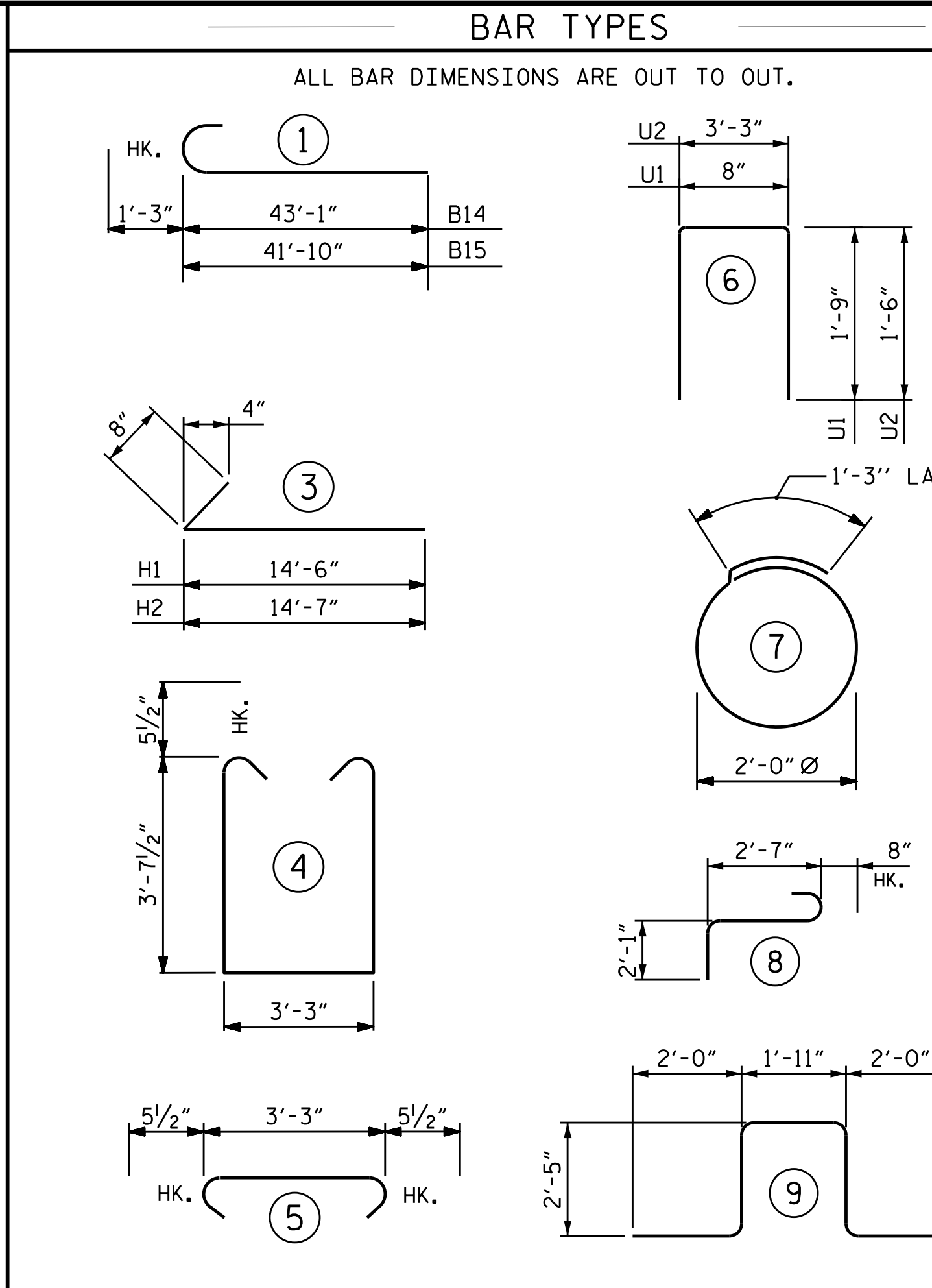
BAGGED STONE SHALL REMAIN IN PLACE UNTIL THE ENGINEER DIRECTS THAT IT BE REMOVED. THE CONTRACTOR SHALL REMOVE AND DISPOSE OF SILT ACCUMULATIONS AT BAGGED STONE WHEN SO DIRECTED BY THE ENGINEER. BAGS SHALL BE REMOVED AND REPLACED WHENEVER THE ENGINEER DETERMINES THAT THEY HAVE DETERIORATED AND LOST THEIR EFFECTIVENESS.

NO SEPARATE PAYMENT WILL BE MADE FOR THIS WORK AND THE ENTIRE COST OF THIS WORK SHALL BE INCLUDED IN THE UNIT CONTRACT PRICE BID FOR THE SEVERAL PAY ITEMS.

TEMPORARY DRAINAGE AT END BENT



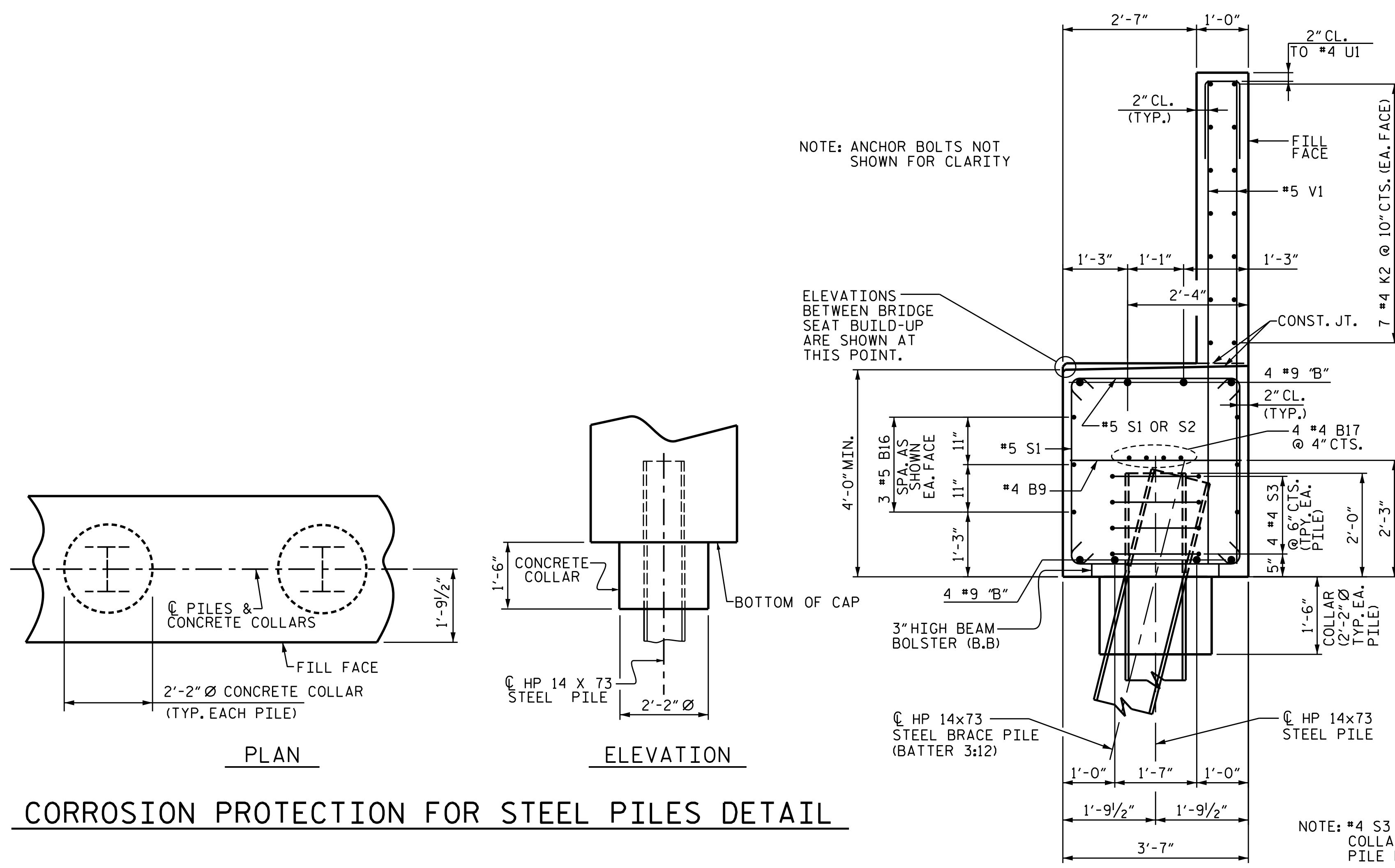
PILE SPLICE DETAILS



BILL OF MATERIAL					
END BENT 1 STAGE II					
BAR NO.	SIZE	TYPE	LENGTH	WEIGHT	
B9	22	#4	STR.	3'-3"	48
B10	28	#4	STR.	6'-10"	128
B13	8	#9	STR.	50'-0"	1360
B14	4	#9	1	44'-4"	603
B15	4	#9	1	43'-1"	586
B16	12	#5	STR.	46'-1"	577
B17	12	#4	STR.	31'-2"	250
H1	12	#4	2	15'-2"	122
H2	12	#4	2	15'-3"	122
K2	42	#4	STR.	30'-7"	858
K12	4	#4	STR.	4'-2"	11
S1	172	#5	4	11'-5"	2048
S2	110	#5	5	4'-2"	478
S3	48	#4	7	7'-7"	243
S4	3	#6	9	10'-9"	48
S5	3	#6	8	5'-4"	24
U1	82	#4	6	4'-2"	228
U2	35	#4	6	6'-3"	146
V1	164	#5	STR.	9'-11"	1696
V3	40	#5	STR.	11'-2"	466

REINFORCING STEEL	10,042 LBS.
CLASS A CONCRETE BREAKDOWN	
POUR #1 CAP, LOWER PART OF WING & COLLARS	55.6 C.Y.
POUR #2 BACKWALL AND UPPER PART OF WING	23.7 C.Y.
TOTAL CLASS A CONCRETE	79.3 C.Y.
HP 14 X 73 STEEL PILES NO: 13	LIN. FT. = 285
PILE DRIVING EQUIPMENT SETUP FOR HP 14 X 73 STEEL PILES EACH = 13	

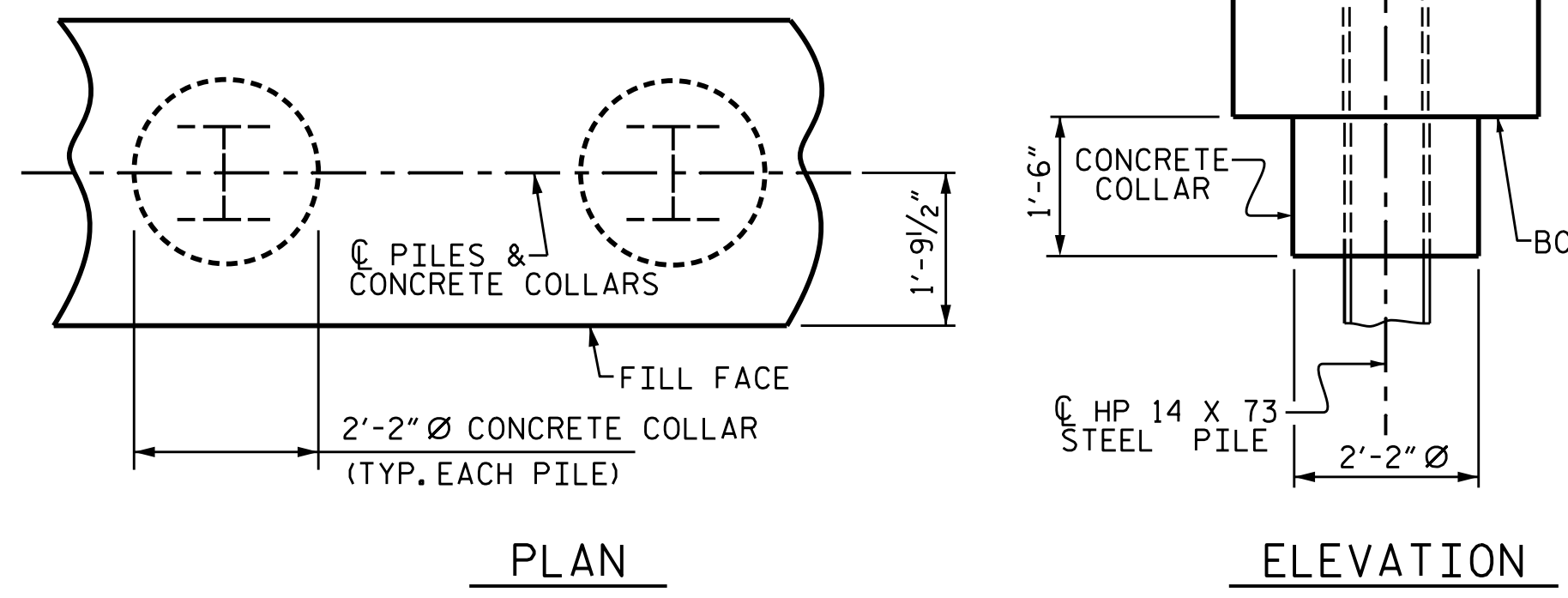
TOTAL END BENT 1 QUANTITIES	
REINFORCING STEEL	15,867 LBS.
CLASS A CONCRETE	125.7 C.Y.
HP 14 X 73 STEEL PILES	460 LIN. FT.
PILE DRIVING EQUIPMENT SETUP FOR HP 14 X 73 STEEL PILES	20 EA.



NOTE: ANCHOR BOLTS NOT SHOWN FOR CLARITY

ELEVATIONS BETWEEN BRIDGE SEAT BUILD-UP ARE SHOWN AT THIS POINT.

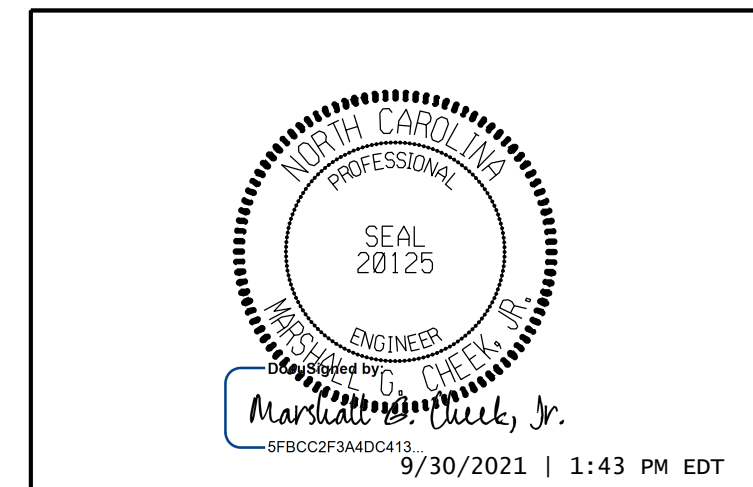
NOTE: #4 S3 BARS AND CONCRETE COLLAR NOT SHOWN ON BRACE PILE FOR CLARITY.



CORROSION PROTECTION FOR STEEL PILES DETAIL

SECTION THRU CAP

PROJECT NO. R-2566BA
 WATAUGA COUNTY
 STATION: 164+30.00-L-
 SHEET 10 OF 10



STATE OF NORTH CAROLINA
 DEPARTMENT OF TRANSPORTATION
 RALEIGH
 SUBSTRUCTURE
 END BENT 1
 STAGE II DETAILS

DRAWN BY: NMW DATE: 3/19
 CHECKED BY: RAR DATE: 6/19
 DESIGN ENGINEER OF RECORD: TBE DATE: 6/19

DOCUMENT NOT CONSIDERED FINAL UNLESS ALL SIGNATURES COMPLETED					
TGS ENGINEERS 804-C N. LAFAYETTE ST SHELBY, NC 28150 PH (704) 476-0003 CORP. LICENSE NO.: C-0275					
REVISIONS					
NO.	BY:	DATE:	NO.	BY:	DATE:
1			3		
2			4		
SHEET NO. S-60					TOTAL SHEETS 79