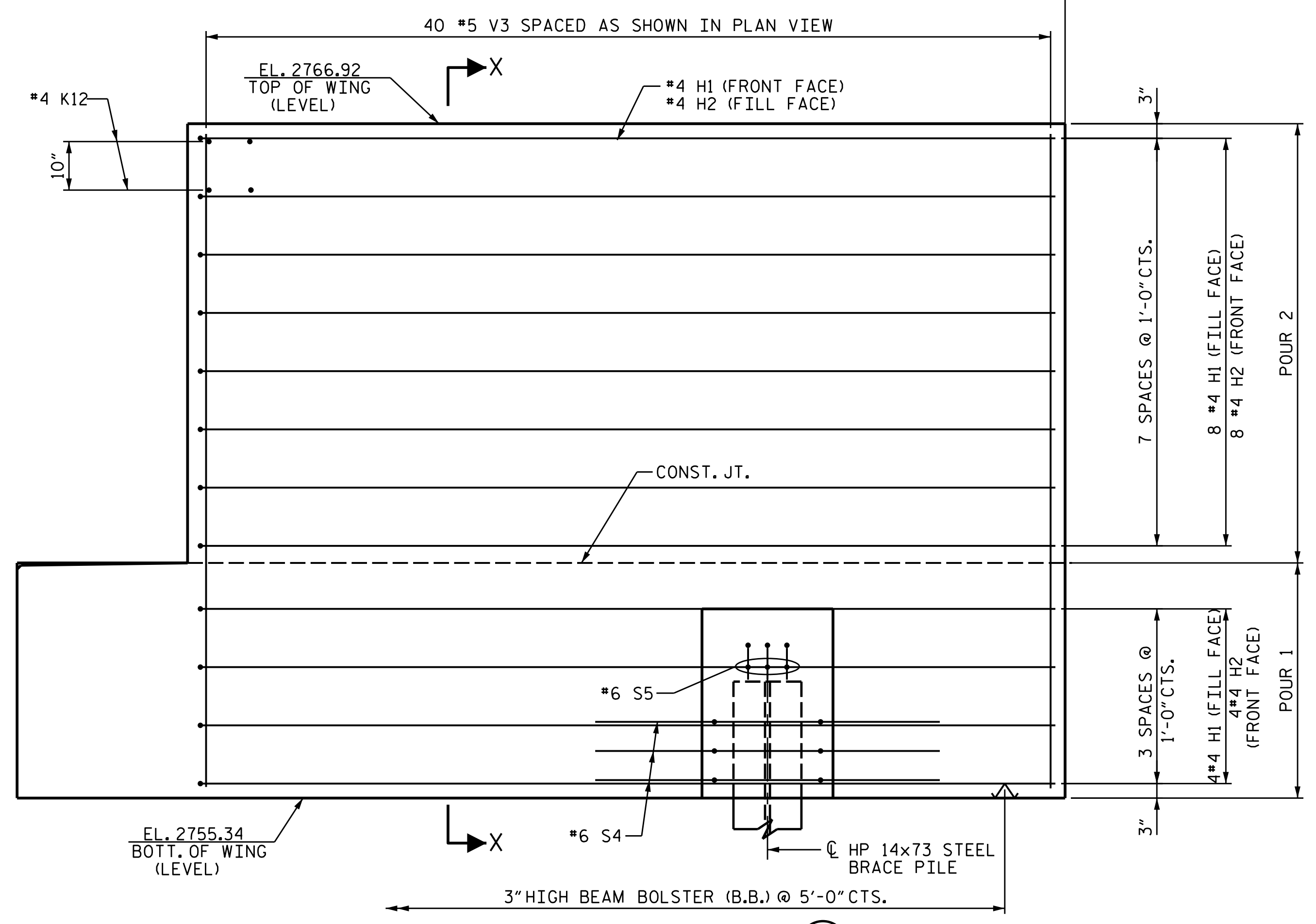
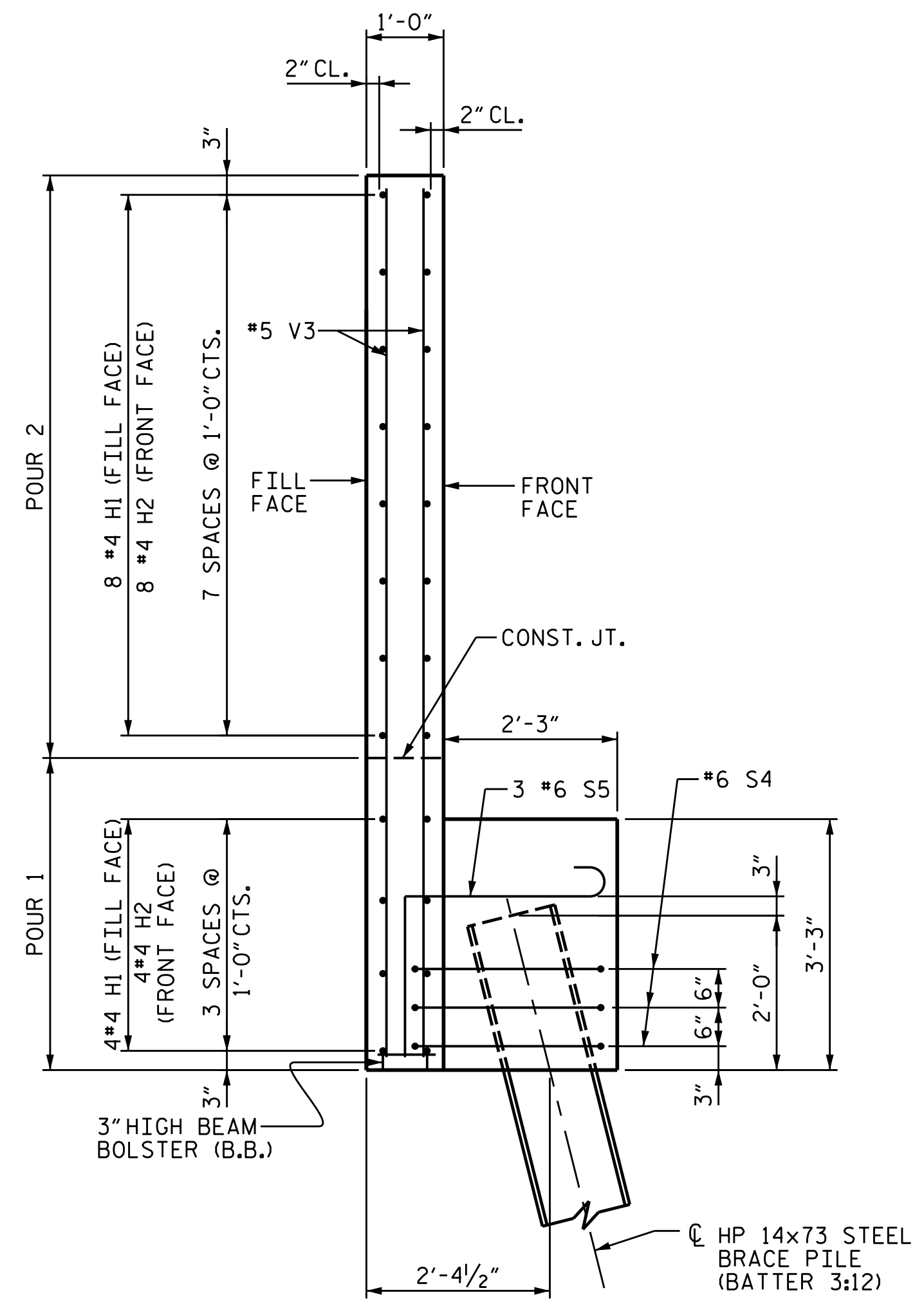


PLAN OF WING (W1)



ELEVATION OF WING (W1)



SECTION Y-Y

PROJECT NO. R-2566BA
 WATAUGA COUNTY
 STATION: 164+30.00-L-
 SHEET 9 OF 10

STATE OF NORTH CAROLINA
 DEPARTMENT OF TRANSPORTATION
 RALEIGH

END BENT 1
 STAGE II WING

9/30/2021 | 1:43 PM EDT

DOCUMENT NOT CONSIDERED FINAL
 UNLESS ALL SIGNATURES COMPLETED

TGS ENGINEERS
 804-C N. LAFAYETTE ST
 SHELBY, NC 28150
 PH (704) 476-0003
 CORP. LICENSE NO.: C-0275

REVISIONS						SHEET NO.
NO.	BY:	DATE:	NO.	BY:	DATE:	
1			3			S-59
2			4			TOTAL SHEETS 79

DRAWN BY : NMW DATE : 3/19
 CHECKED BY : RAR DATE : 6/19
 DESIGN ENGINEER OF RECORD : TBE DATE : 6/19