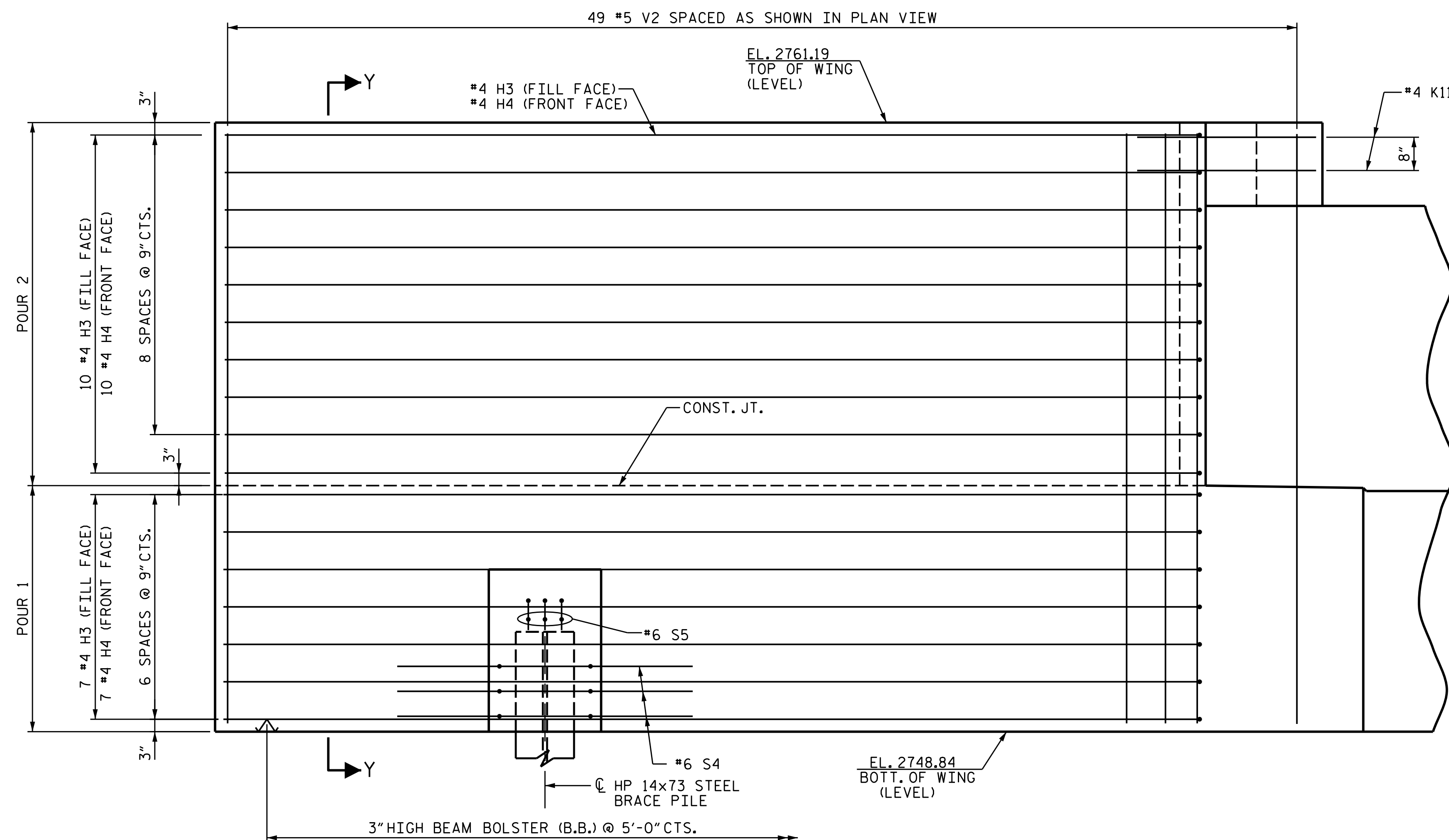
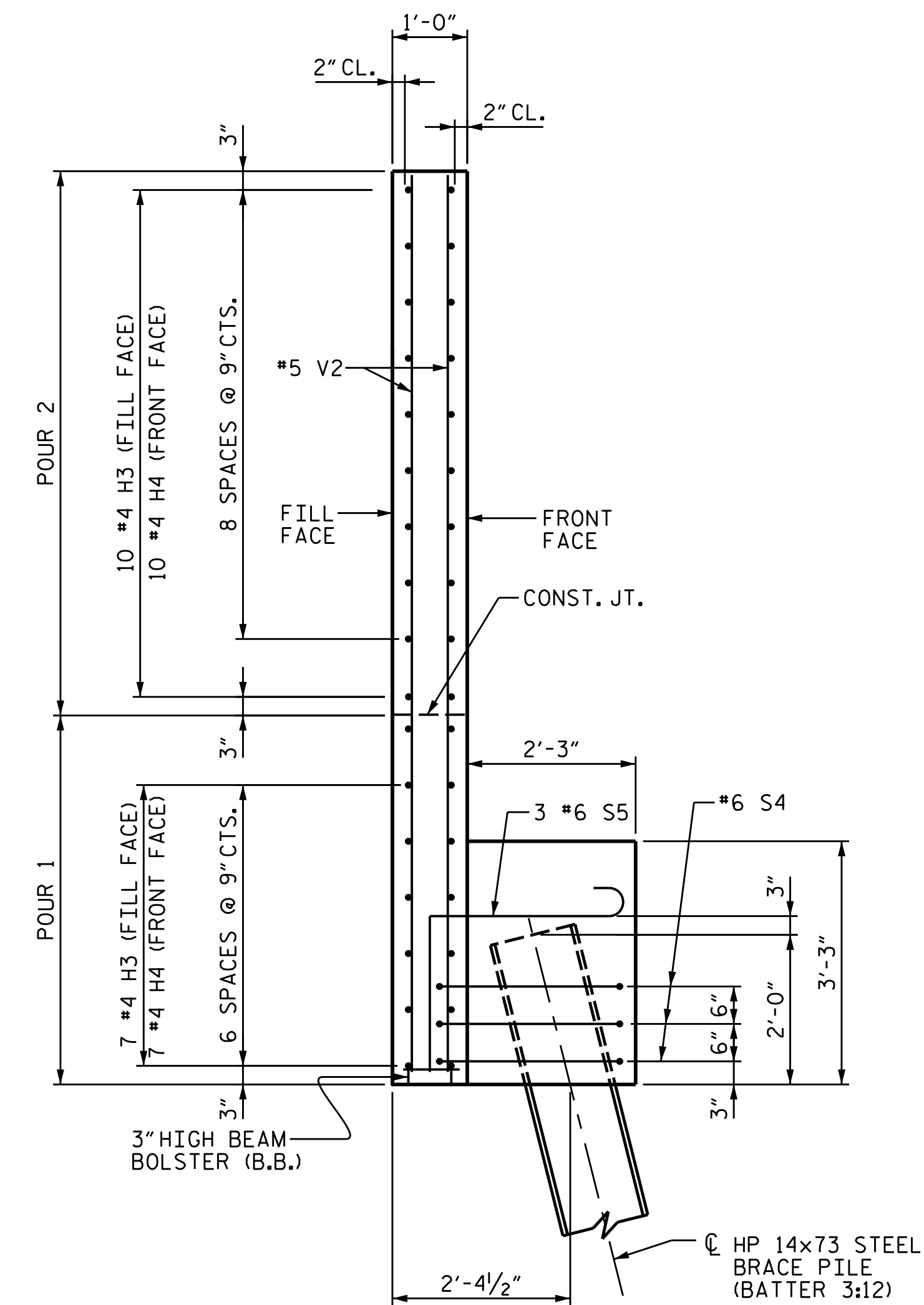


PLAN OF WING (W2)



ELEVATION OF WING (W2)



SECTION Y-Y

PROJECT NO. R-2566BA

WATAUGA COUNTY

STATION: 164+30.00-L-

SHEET 4 OF 10



STATE OF NORTH CAROLINA
DEPARTMENT OF TRANSPORTATION
RALEIGH

SUBSTRUCTURE

END BENT 1
STAGE I WING

DOCUMENT NOT CONSIDERED FINAL
UNLESS ALL SIGNATURES COMPLETED

TGS ENGINEERS
804-C N. LAFAYETTE ST
SHELBY, NC 28150
PH (704) 476-0003
CORP. LICENSE NO.: C-0275

REVISIONS						SHEET NO.
NO.	BY:	DATE:	NO.	BY:	DATE:	S-54
1			3			TOTAL SHEETS
2			4			79

DRAWN BY : NMW DATE : 3/19
CHECKED BY : RAR DATE : 6/19
DESIGN ENGINEER OF RECORD : TBE DATE : 6/19