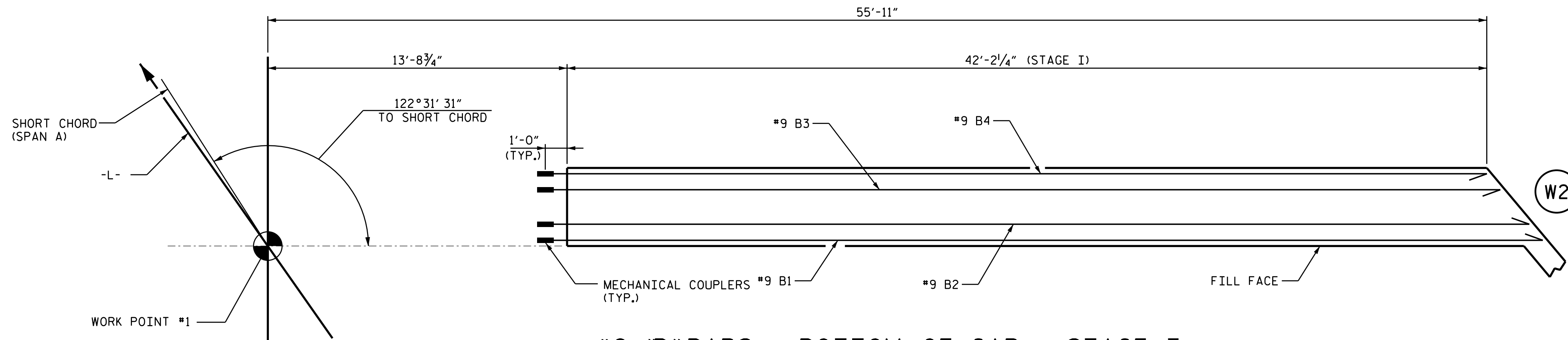
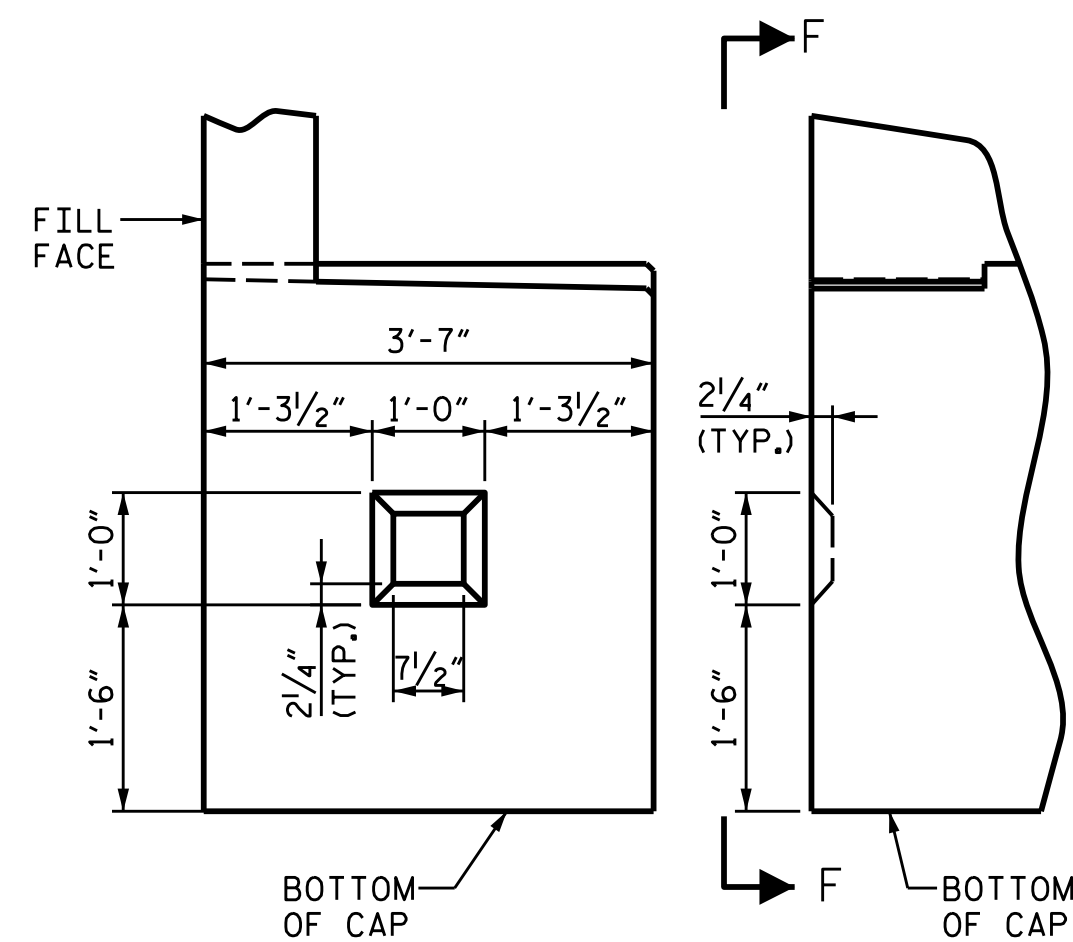


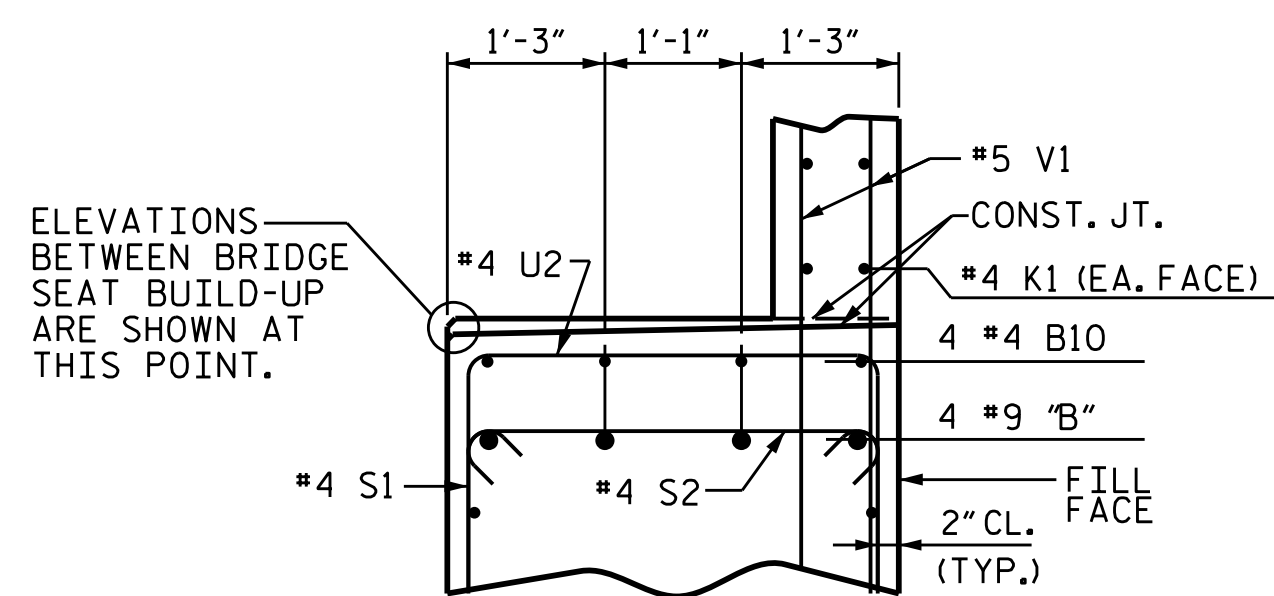
#9 "B" BARS - TOP OF CAP - STAGE I



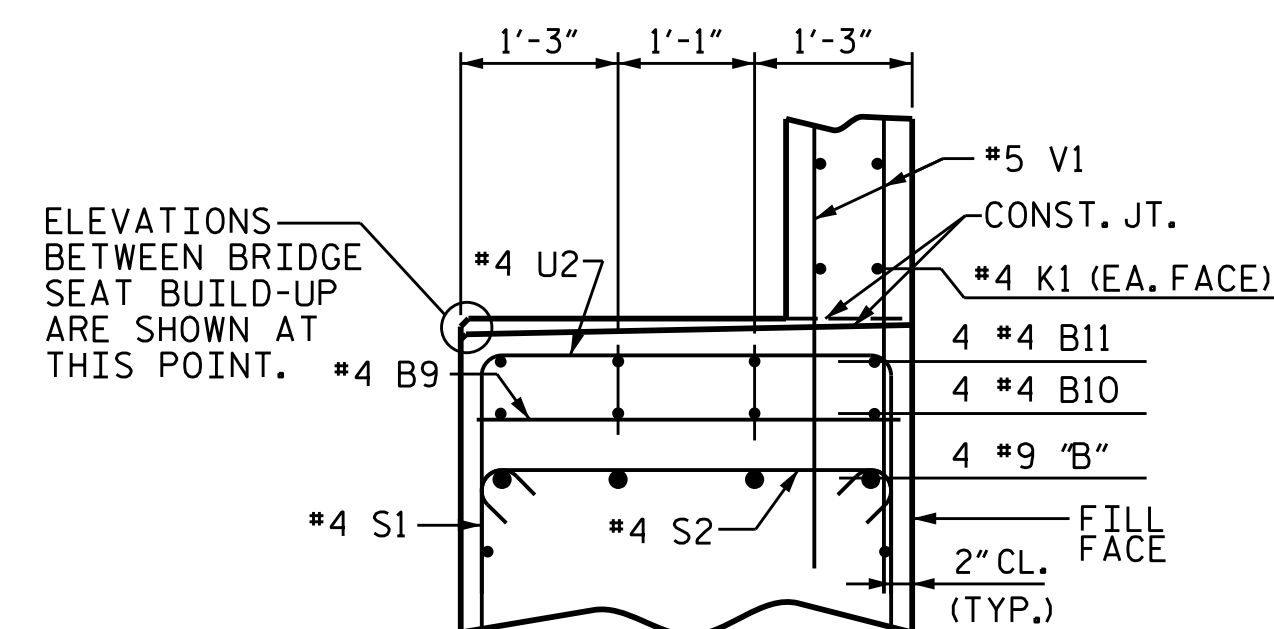
#9 "B" BARS - BOTTOM OF CAP - STAGE I



SECTION F-F
SHEAR KEY DETAIL



SECTION B-B



SECTION C-C

PROJECT NO. R-2566BA
WATAUGA COUNTY
STATION: 164+30.00-L-

SHEET 3 OF 10



STATE OF NORTH CAROLINA
DEPARTMENT OF TRANSPORTATION
RALEIGH
SUBSTRUCTURE

END BENT 1
STAGE I DETAILS

DRAWN BY : NMW DATE : 3/19
CHECKED BY : RAR DATE : 6/19
DESIGN ENGINEER OF RECORD : TBE DATE : 6/19

DOCUMENT NOT CONSIDERED FINAL
UNLESS ALL SIGNATURES COMPLETED

TGS ENGINEERS
804-C N. LAFAYETTE ST
SHELBY, NC 28150
PH (704) 476-0003
CORP. LICENSE NO.: C-0275

REVISIONS						SHEET NO.
NO.	BY:	DATE:	NO.	BY:	DATE:	S-53
1			3			TOTAL SHEETS
2			4			79