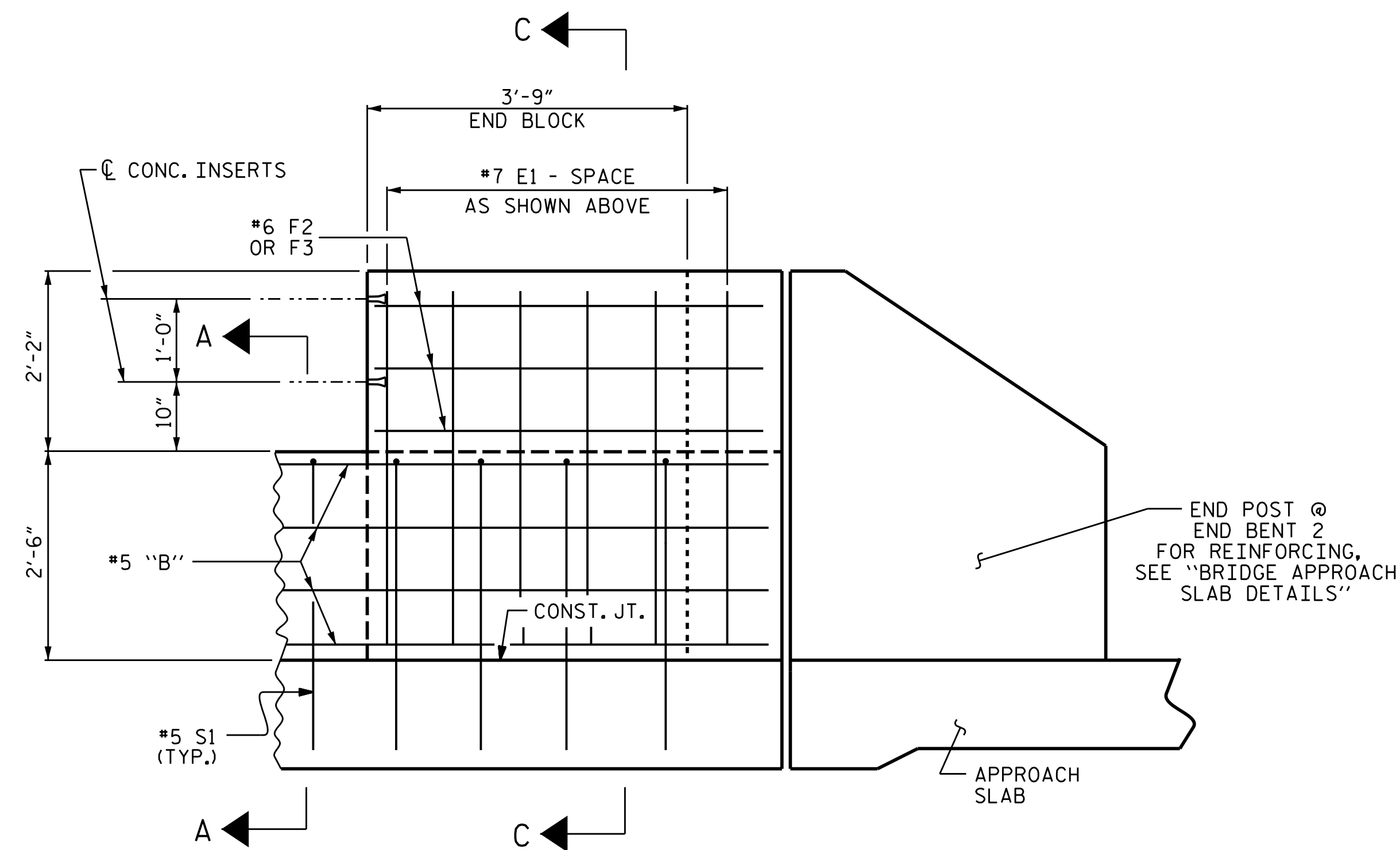
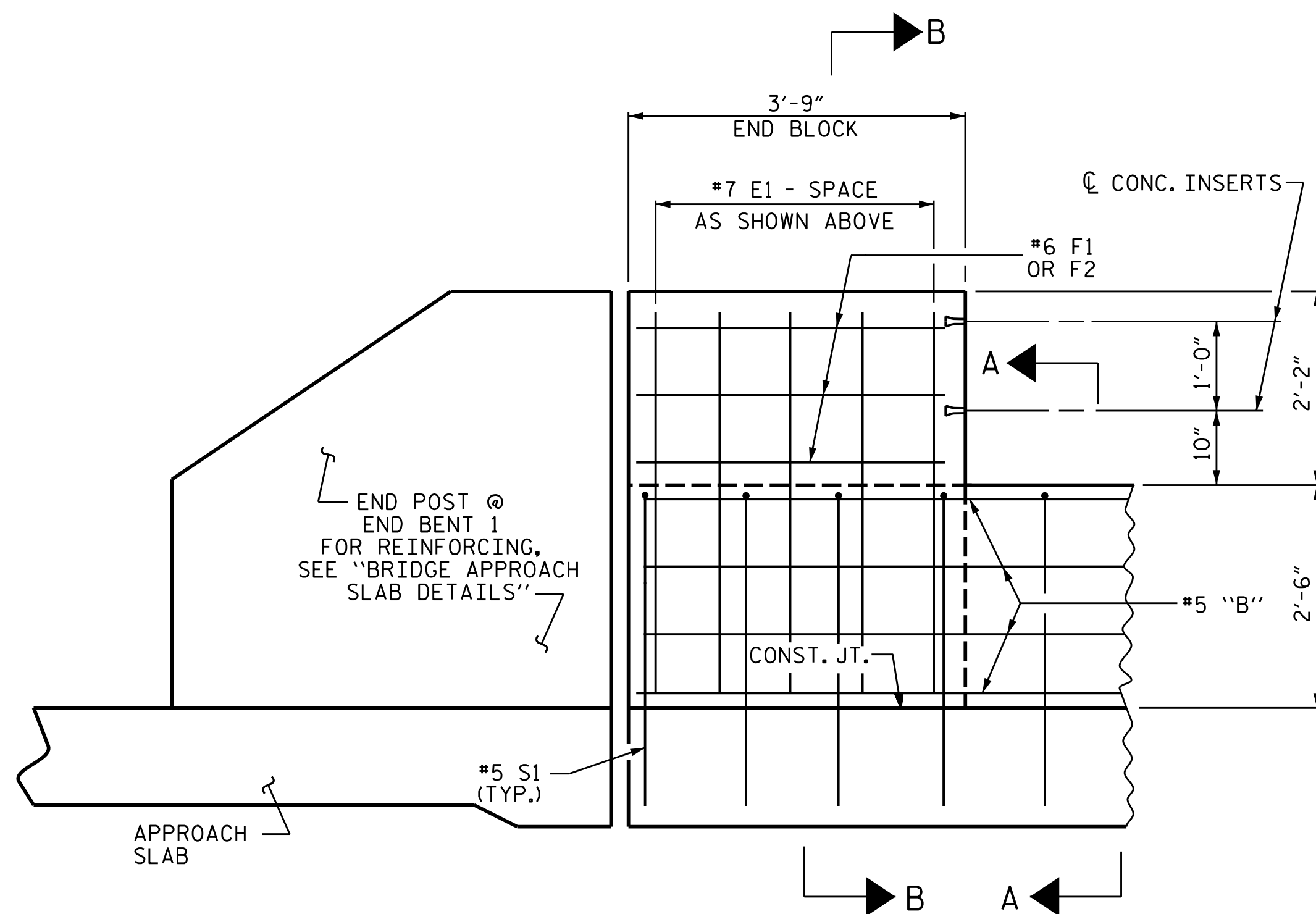


PLAN OF PARAPET & END BLOCK



ELEVATION

FOR SECTION A-A & B-B, SEE SHEET 3 OF 3.

ELEVATION

FOR SECTION A-A & C-C, SEE SHEET 3 OF 3.

9/30/2021 | 1:43 PM EDT

DOCUMENT NOT CONSIDERED FINAL  
UNLESS ALL SIGNATURES COMPLETED

**TGS ENGINEERS**  
 706 HILLSBOROUGH STREET  
 SUITE 200  
 RALEIGH, NC 27603  
 PH (919) 773-8887  
 CORP. LICENSE NO.: C-0275

PROJECT NO. R-2566BA  
WATAUGA COUNTY  
 STATION: 164+30.00 -L-

SHEET 2 OF 3

STATE OF NORTH CAROLINA  
 DEPARTMENT OF TRANSPORTATION  
 RALEIGH

SUPERSTRUCTURE  
 1'-2" X 2'-6"  
 CONCRETE PARAPET  
 DETAILS

DRAWN BY: STM DATE: 04/19  
 CHECKED BY: MGC DATE: 05/19  
 DESIGN ENGINEER OF RECORD: MGC DATE: 7-21

REVISIONS						SHEET NO.
NO.	BY:	DATE:	NO.	BY:	DATE:	S-43
1			3			TOTAL SHEETS
2			4			79