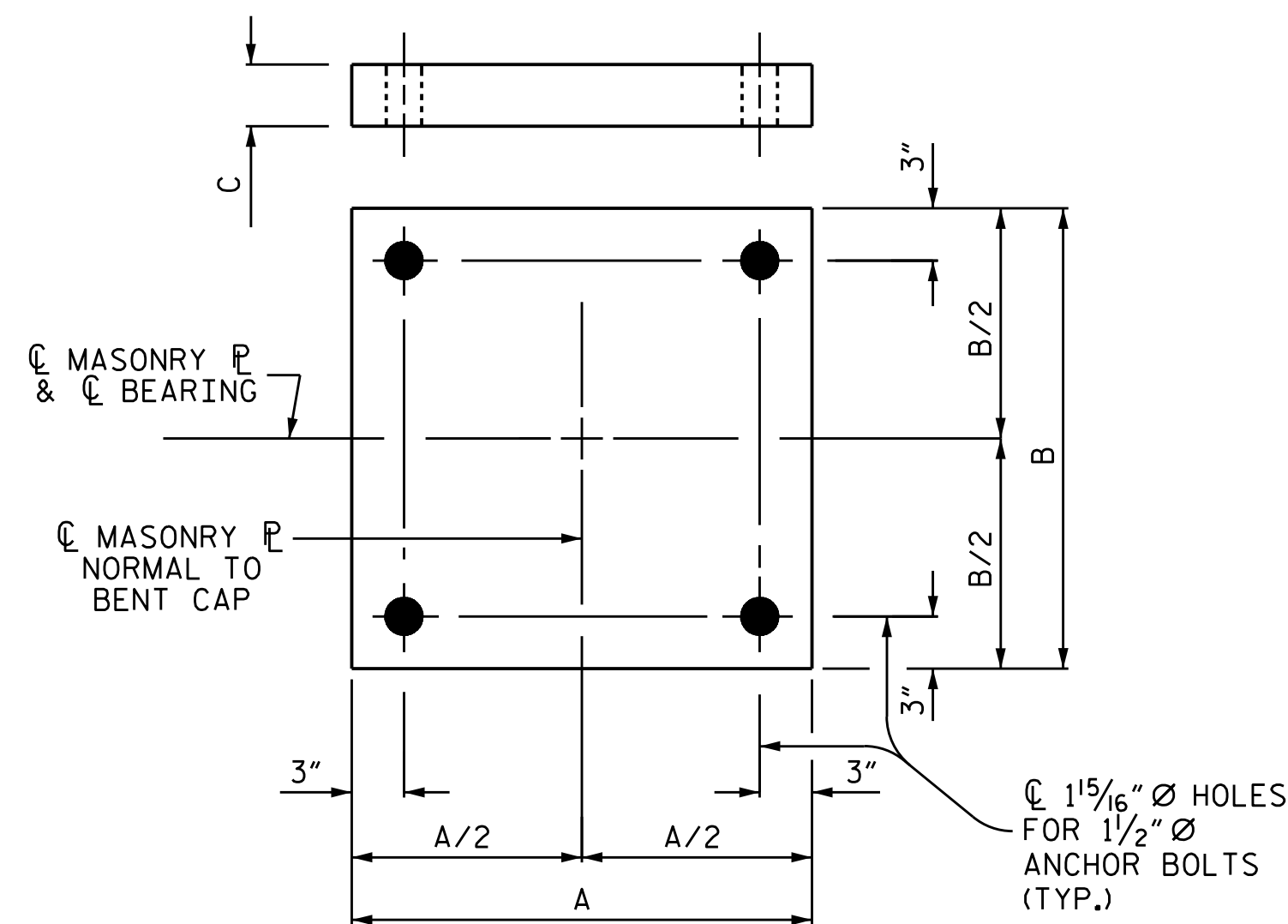
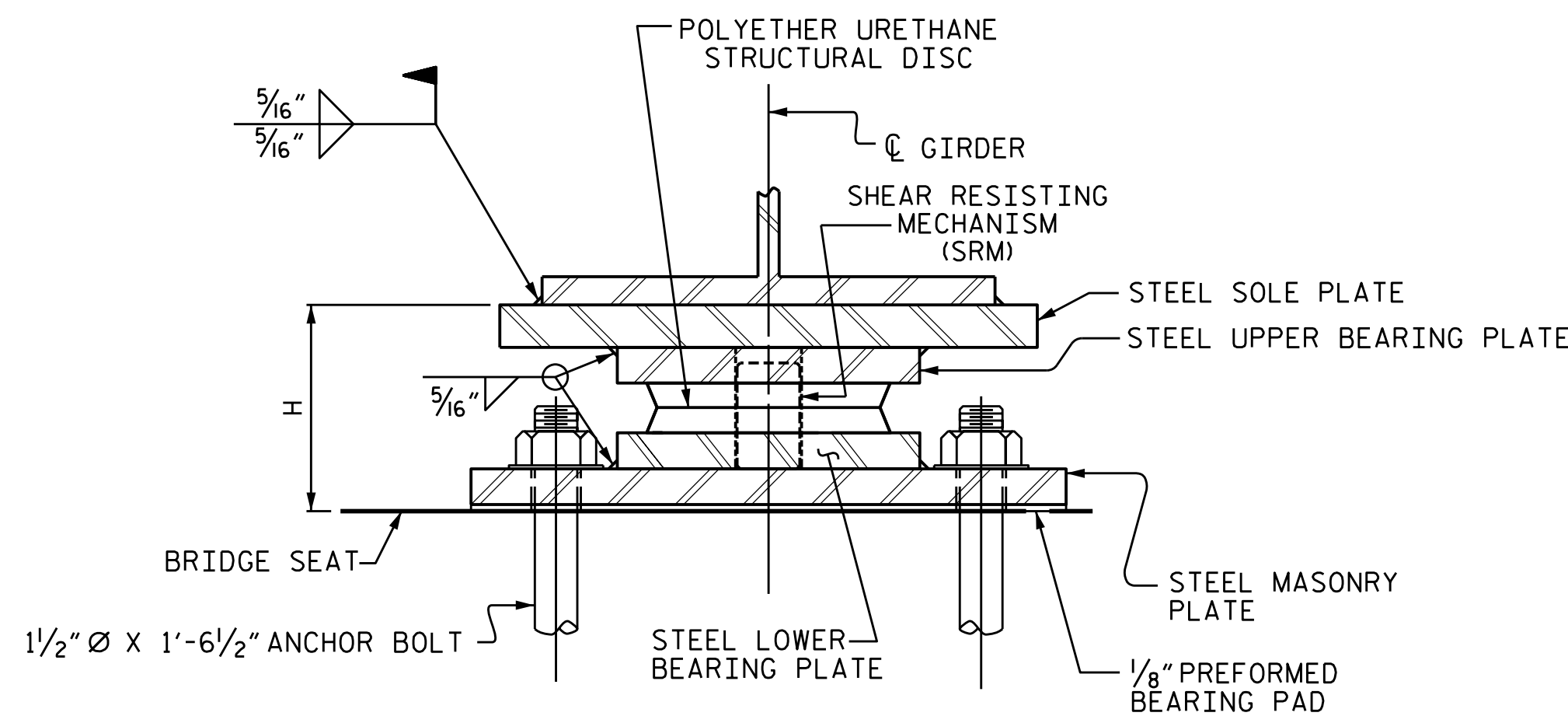


NOTES

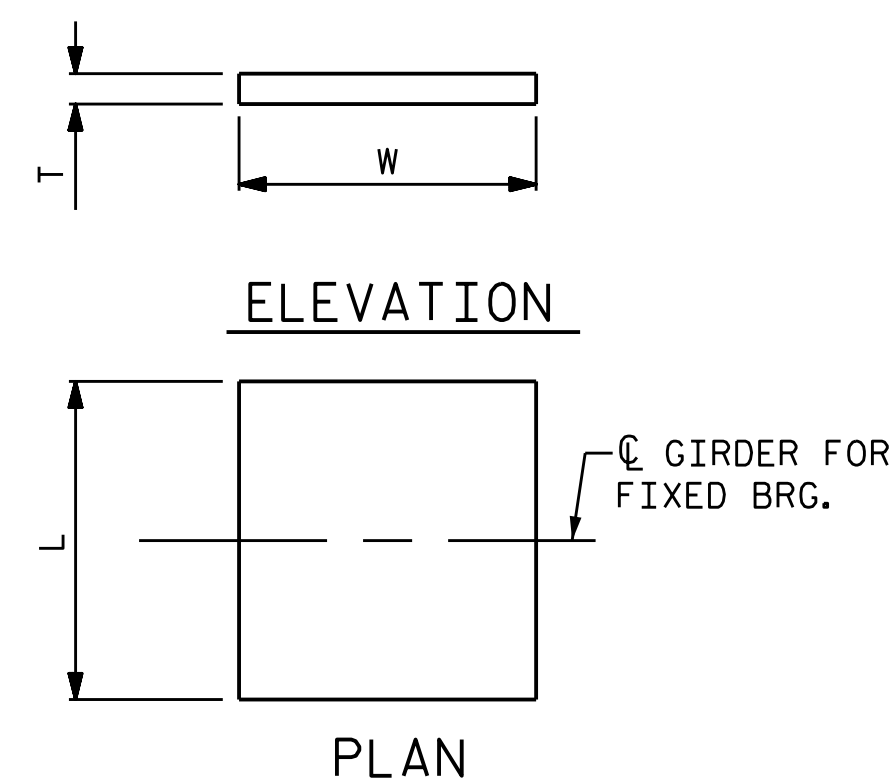
- FOR DISC BEARINGS, SEE SPECIAL PROVISIONS.
- ALL BEARING PLATES SHALL BE AASHTO M270 GRADE 50W OR GRADE 50.
- AT ALL POINTS OF SUPPORT, NUTS FOR ANCHOR BOLTS SHALL BE FINGER-TIGHTENED PLUS AN ADDITIONAL 1/4 TURN. THE THREAD OF THE NUT AND BOLT SHALL THEN BE BURRED WITH A SHARP POINTED TOOL.
- WHEN WELDING THE SOLE PLATE TO THE GIRDER, USE TEMPERATURE INDICATING WAX PENS, OR OTHER SUITABLE MEANS, TO ENSURE THAT THE TEMPERATURE OF THE BEARING DOES NOT EXCEED 250°F. TEMPERATURES ABOVE THIS MAY DAMAGE THE TFE OR URETHANE DISC.
- SOLE PLATES SHOULD BE WELDED TO GIRDER FLANGES BEFORE FALSEWORK IS PLACED.
- ALL SURFACES OF BEARING PLATES SHALL BE SMOOTH AND STRAIGHT.
- FOR THERMAL SPRAYED COATINGS (METALLIZATION), SEE SPECIAL PROVISIONS.
- THE MINIMUM ROTATIONAL CAPACITY FOR ALL BEARINGS SHALL BE 0.02 RADIAN.



PLAN  
M1, FIXED  
MASONRY PLATE  
DETAILS

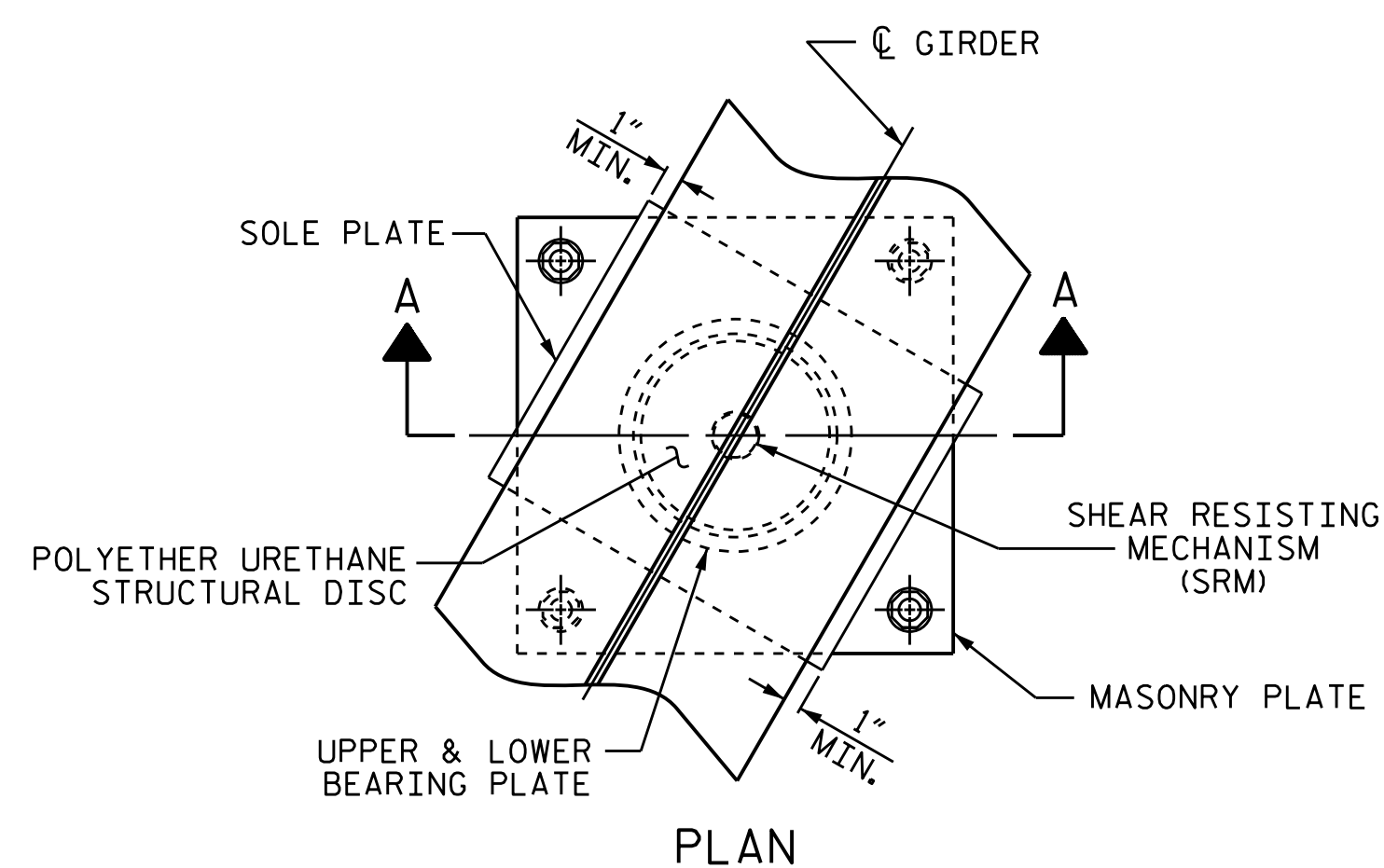


SECTION A-A  
DB1, FIXED



NOTE:  
DIMENSIONS "L", "W", AND "T" SHALL BE DETERMINED  
BY THE BEARING MANUFACTURER.

SOLE PLATE DETAILS



PLAN

PROJECT NO. R-2566BA  
WATAUGA COUNTY  
STATION: 164+30.00 -L-

DESIGNATIONS		LOCATION	NUMBER OF BEARINGS	DIMENSIONS				LOADS AND MOVEMENT					
BEARINGS	MASONRY PLATE			BEARING H (IN.)	MASONRY PLATE A (IN.)	MASONRY PLATE B (IN.)	MASONRY PLATE C (IN.)	SOLE PLATE TOP SLOPE (%)	UNFACTORED VERTICAL LOAD (KIPS)		FACTORED HORIZONTAL LOAD (KIPS)	ONE-WAY MOVEMENT (IN.)	
								DC	DW	LIVE LL+IM			
DB1 (FIXED)	M1	BENT 1	11	7 5/8	32	32	1 1/4	-	365	76	252	108	0

ASSEMBLED BY : STM DATE : 04/19  
CHECKED BY : MGC DATE : 04/19  
DESIGN ENGINEER OF RECORD: RDE DATE : 09/21  
DRAWN BY : TMG 08/13 REV. 12/17 MAA/THC  
CHECKED BY : EXP 10/13

9/23/2021  
X:\NCDOT\R-2566BA\Structures\Final plans\DCN files\401.083.R2566BA.SMU. BG02.S41.940005.dgn  
Users\sbwilliams



DOCUMENT NOT CONSIDERED FINAL  
UNLESS ALL SIGNATURES COMPLETED  
TGS ENGINEERS  
706 HILLSBOROUGH STREET  
SUITE 200  
RALEIGH, NC 27603  
PH (919) 773-8887  
CORP. LICENSE NO.: C-0275

STATE OF NORTH CAROLINA  
DEPARTMENT OF TRANSPORTATION  
RALEIGH

STANDARD  
DISC BEARING  
DETAILS

REVISIONS						SHEET NO.
NO.	BY:	DATE:	NO.	BY:	DATE:	S-41
1			3			TOTAL SHEETS
2			4			79

STD. NO. DB1 (SHT 2)