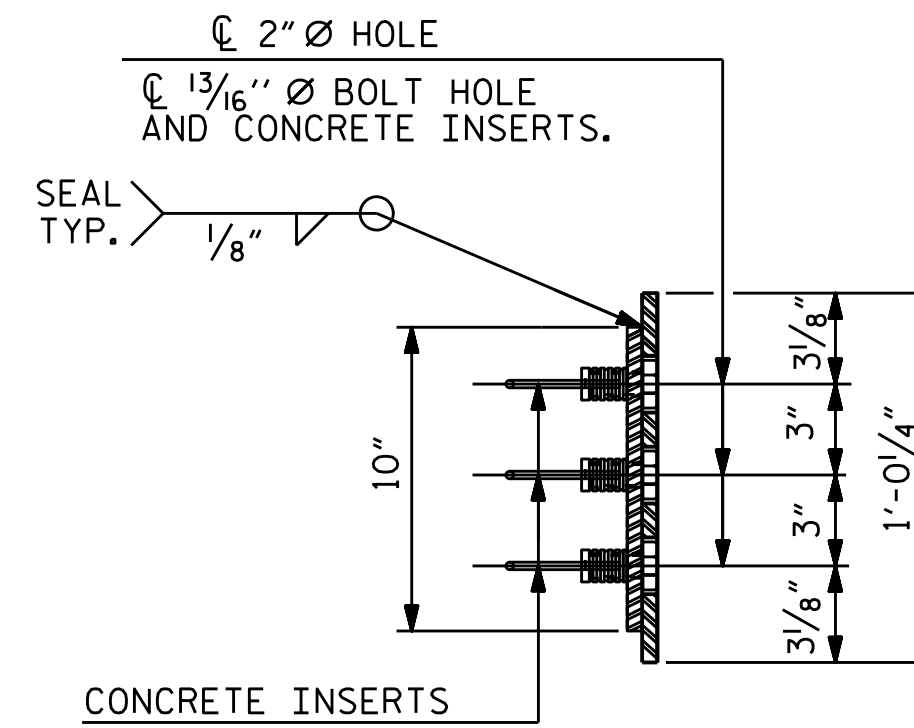
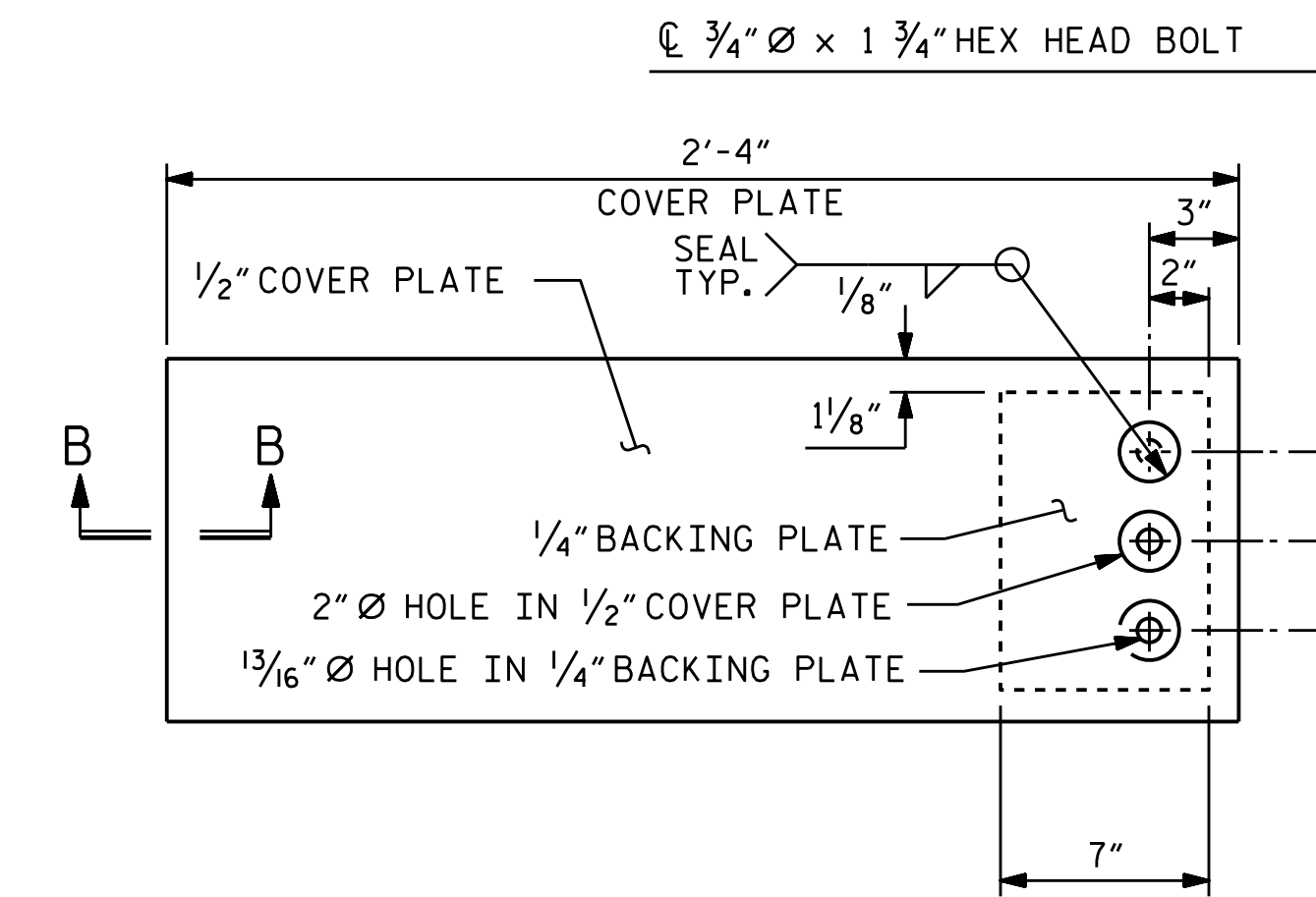


SECTION THRU RAIL NORMAL TO JOINT

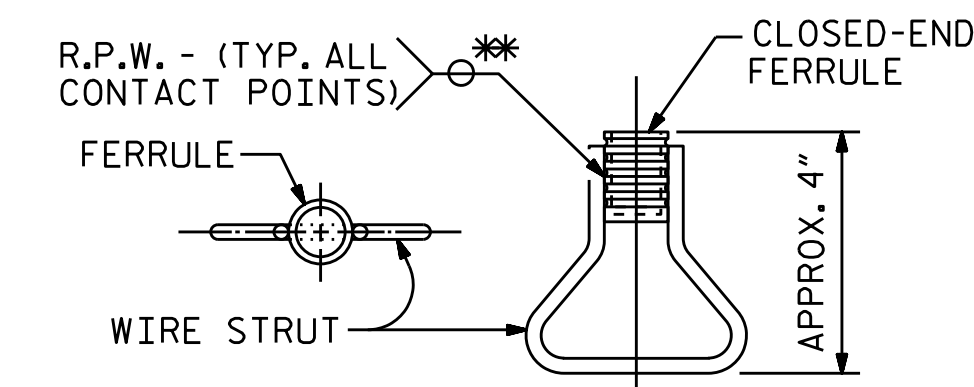


END VIEW



TYPE II - ELEVATION VIEW

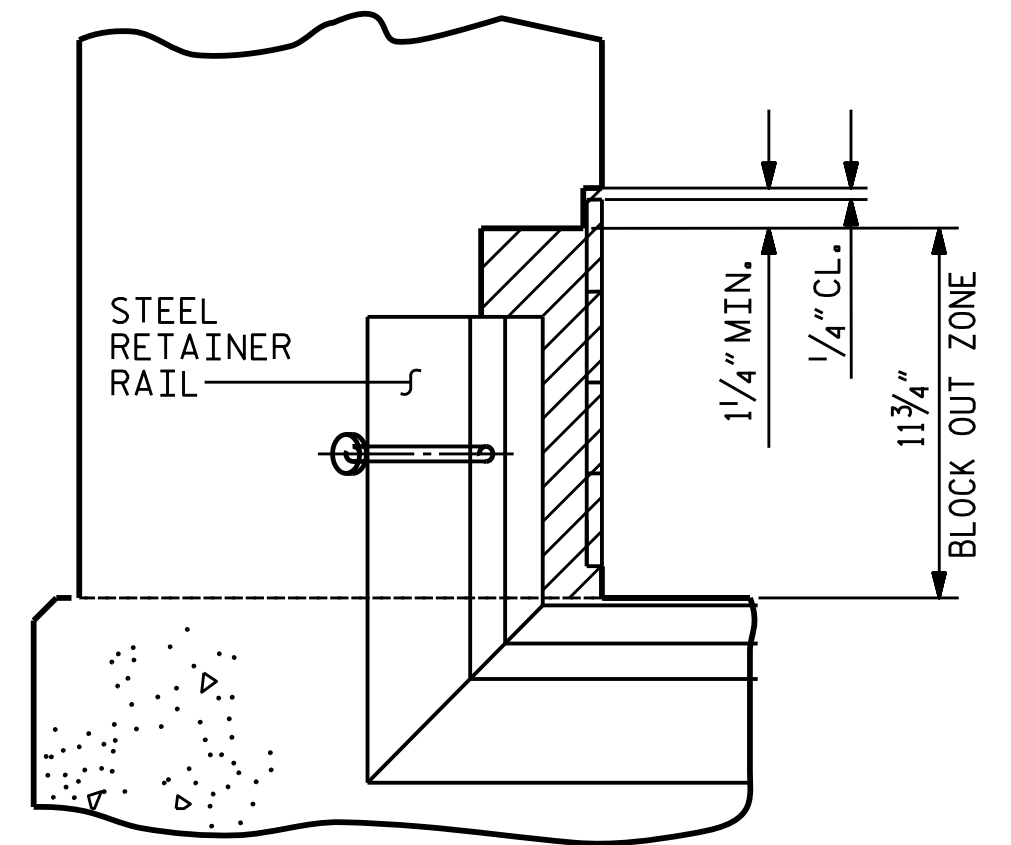
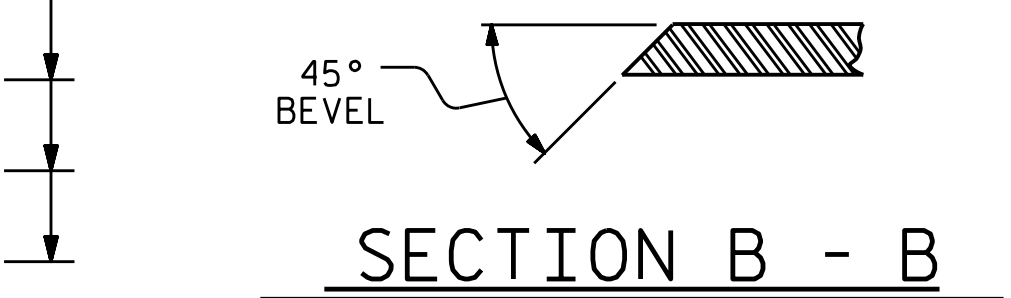
COVER PLATE DETAILS



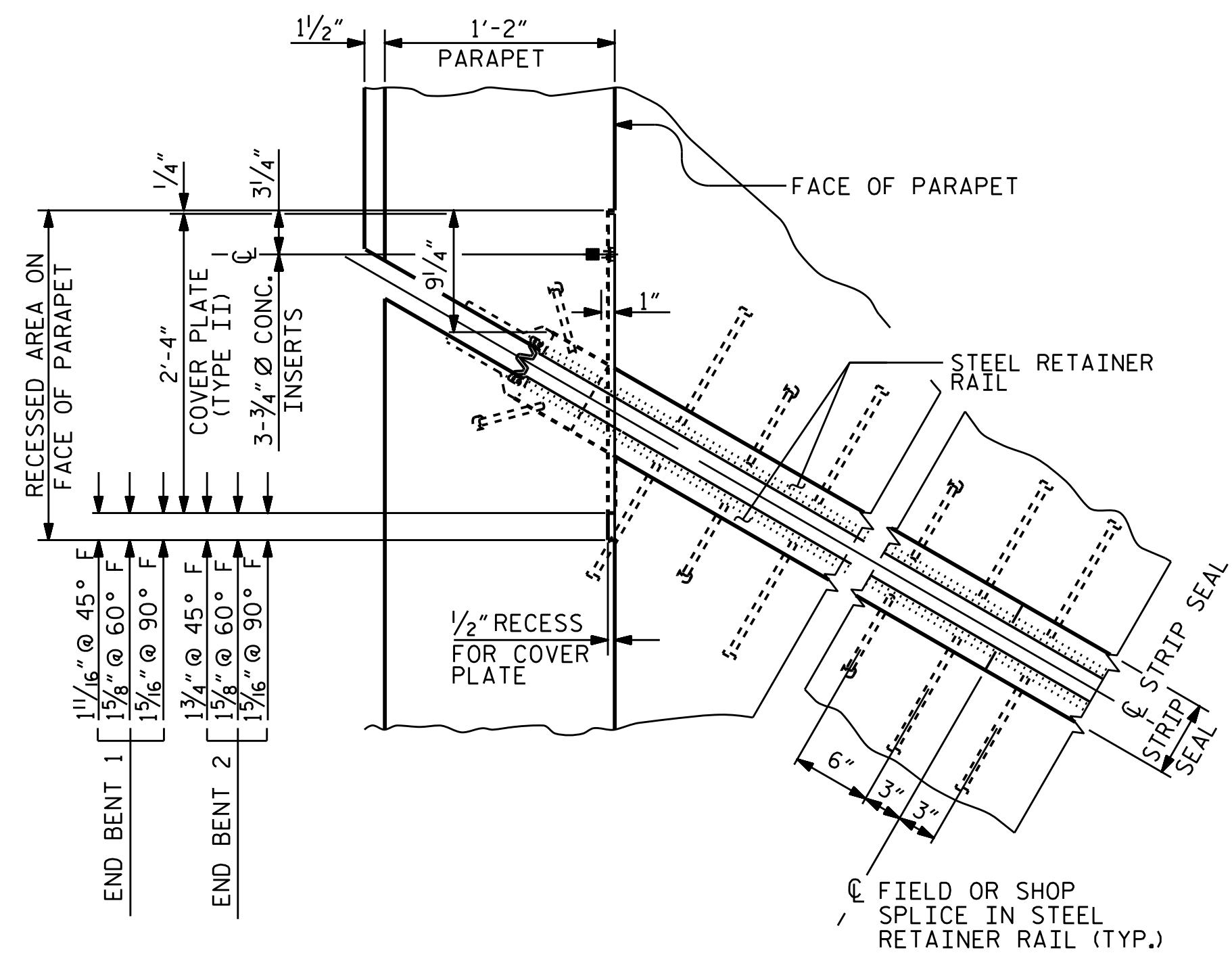
PLAN ELEVATION

CONCRETE INSERT

* EACH WELDED ATTACHMENT OF WIRE TO FERRULE SHALL DEVELOP THE TENSILE STRENGTH OF THE WIRE.

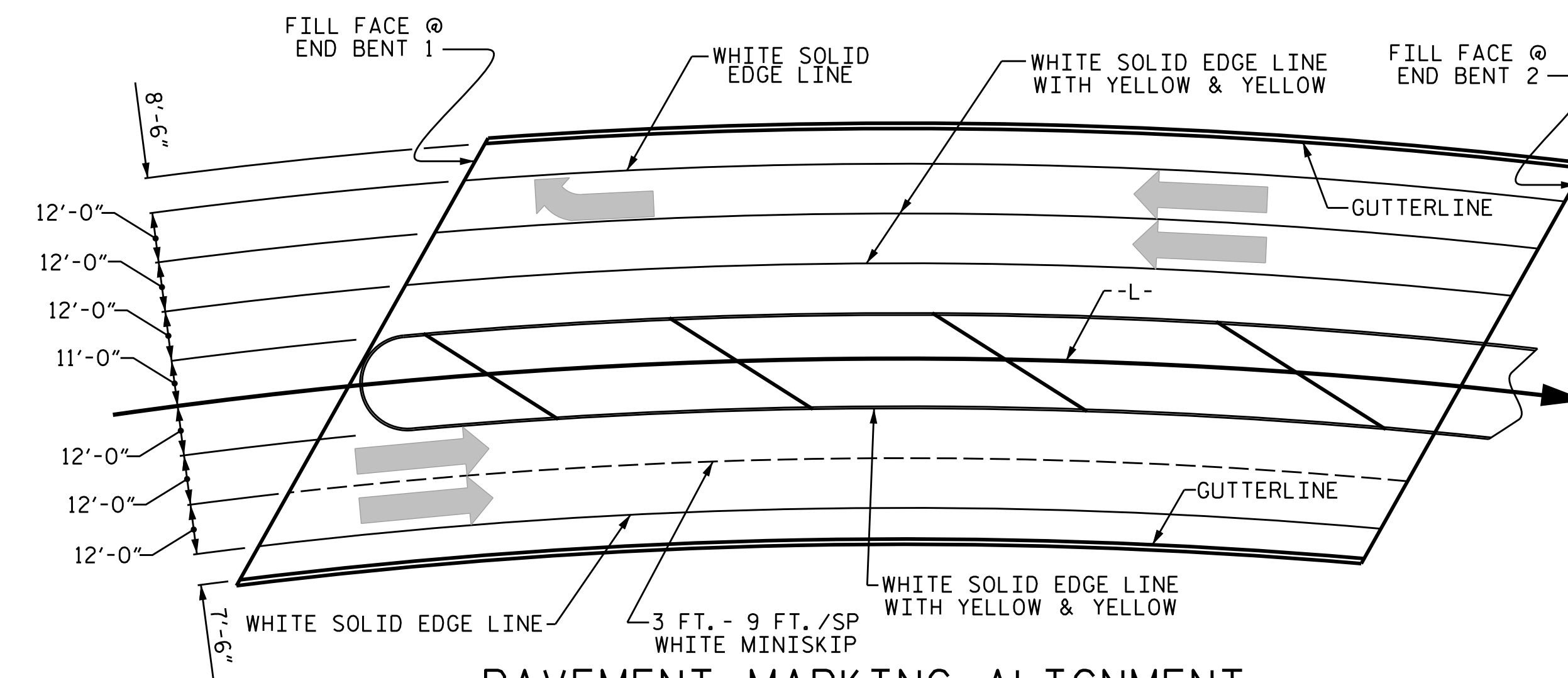


BLOCK OUT DETAIL



PLAN OF STRIP SEAL EXPANSION JOINT

(LEFT SIDE SHOWN, RIGHT SIDE SIMILAR)



PAVEMENT MARKING ALIGNMENT

(FOR ADDITIONAL PAVEMENT MARKINGS, SEE ROADWAY PLANS)

9/30/2021 | 1:43 PM EDT

DOCUMENT NOT CONSIDERED FINAL UNLESS ALL SIGNATURES COMPLETED

TGS ENGINEERS
804-C N. LAFAYETTE ST
SHELBY, NC 28150
PH: (704) 475-0003
CORP. LICENSE NO.: C-0275

PROFESSIONAL ENGINEER
SEAL 20125
MARSHALL G. CHECK, JR.
SFB023F344D0413

PROJECT NO. R-2566BA
WATAUGA COUNTY
STATION: 164+30.00 -L-

SHEET 2 OF 2

STATE OF NORTH CAROLINA
DEPARTMENT OF TRANSPORTATION
RALEIGH
STANDARD
STRIP SEAL EXPANSION
JOINT DETAILS
FOR BARRIER RAIL

ASSEMBLED BY : S. B. WILLIAMS	DATE : 4-21
CHECKED BY : MGC	DATE : 4-21
DRAWN BY : MAA 6/20	
CHECKED BY : BNB 6/20	

REVISIONS						SHEET NO.
NO.	BY:	DATE:	NO.	BY:	DATE:	S-39
1			3			TOTAL SHEETS 79
2			4			