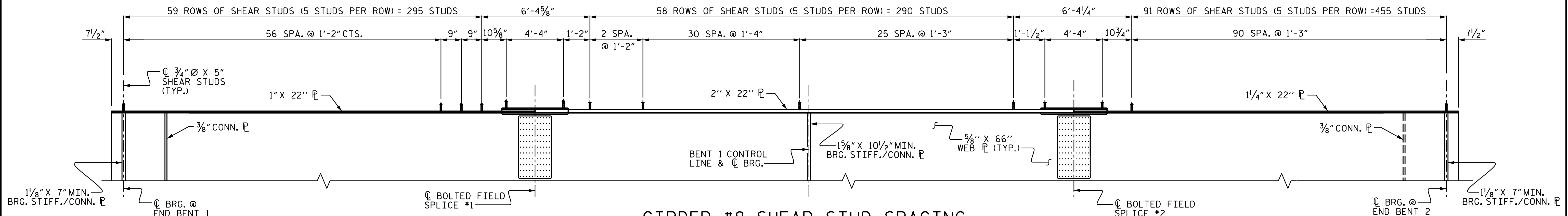


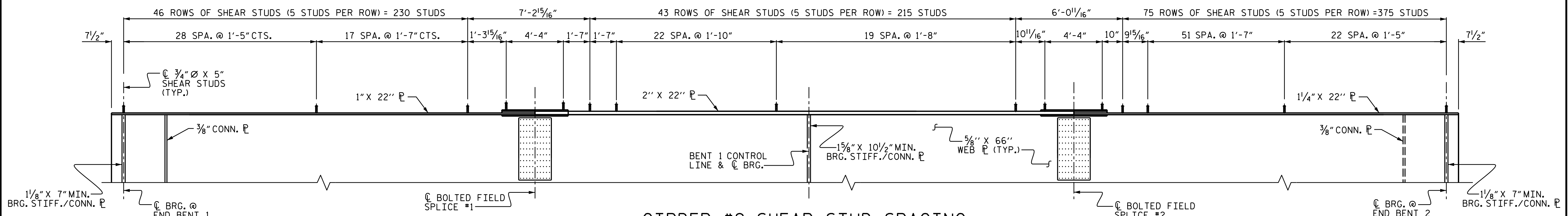
GIRDER #7 SHEAR STUD SPACING

FOR STUDS ON BOLTED FIELD SPLICE PLATE, SEE "BOLTED FIELD SPLICE DETAILS" SHEET 5 OR 6 OF 10.



GIRDER #8 SHEAR STUD SPACING

FOR STUDS ON BOLTED FIELD SPLICE PLATE, SEE "BOLTED FIELD SPLICE DETAILS" SHEET 5 OR 6 OF 10.



GIRDER #9 SHEAR STUD SPACING

FOR STUDS ON BOLTED FIELD SPLICE PLATE, SEE "BOLTED FIELD SPLICE DETAILS" SHEET 5 OR 6 OF 10.

PROJECT NO. R-2566BA
WATAUGA COUNTY
 STATION: 164+30.00 -L-

SHEET 9 OF 10

DOCUMENT NOT CONSIDERED FINAL UNLESS ALL SIGNATURES COMPLETED

TGS ENGINEERS
 706 HILLSBOROUGH STREET
 SUITE 200
 RALEIGH, NC 27603
 PH (919) 773-8887
 CORP. LICENSE NO.: C-0275

STATE OF NORTH CAROLINA
 DEPARTMENT OF TRANSPORTATION
 RALEIGH

SUPERSTRUCTURE
 STRUCTURAL STEEL
 DETAILS

REVISIONS						SHEET NO.
NO.	BY:	DATE:	NO.	BY:	DATE:	S-25
1			3			TOTAL SHEETS 79
2			4			

DRAWN BY: S. B. WILLIAMS DATE: 4-19
 CHECKED BY: MGC DATE: 5-19
 DESIGN ENGINEER OF RECORD: RDE DATE: 9-21

9/23/2021 X:\NCDOT\R-2566BA\Structures\Final plans\DCN files\401.051.R-2566BA.SMU. S509.S25.940005.dgn Users\sbwilliams