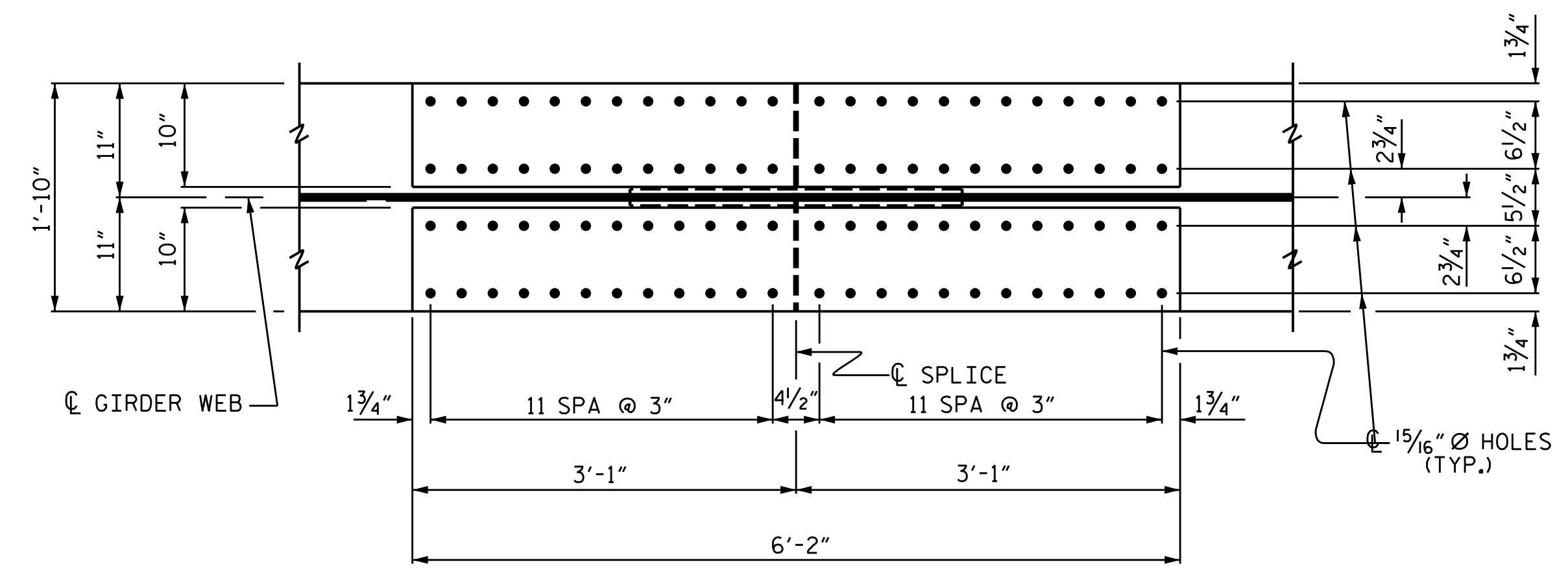
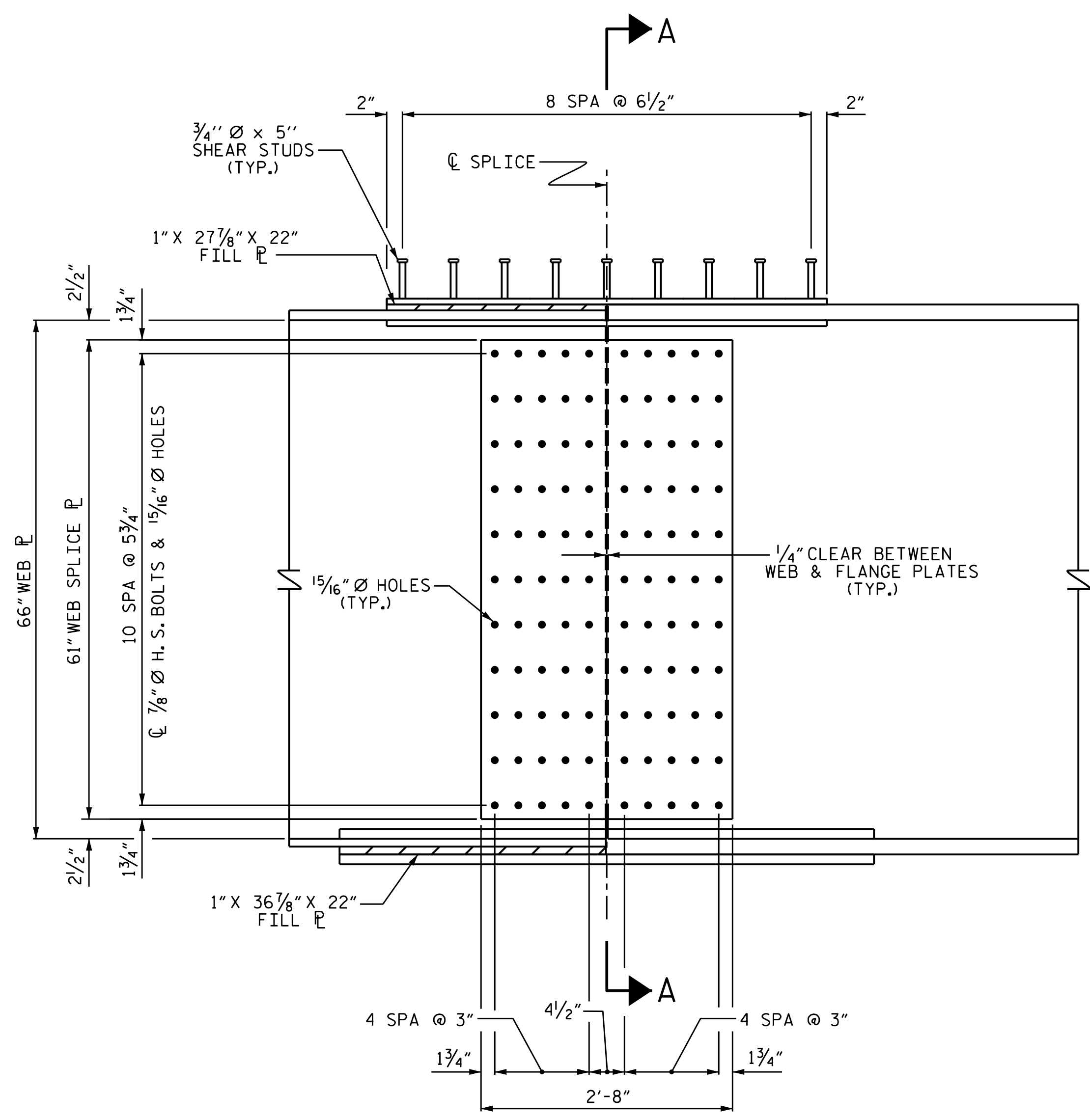


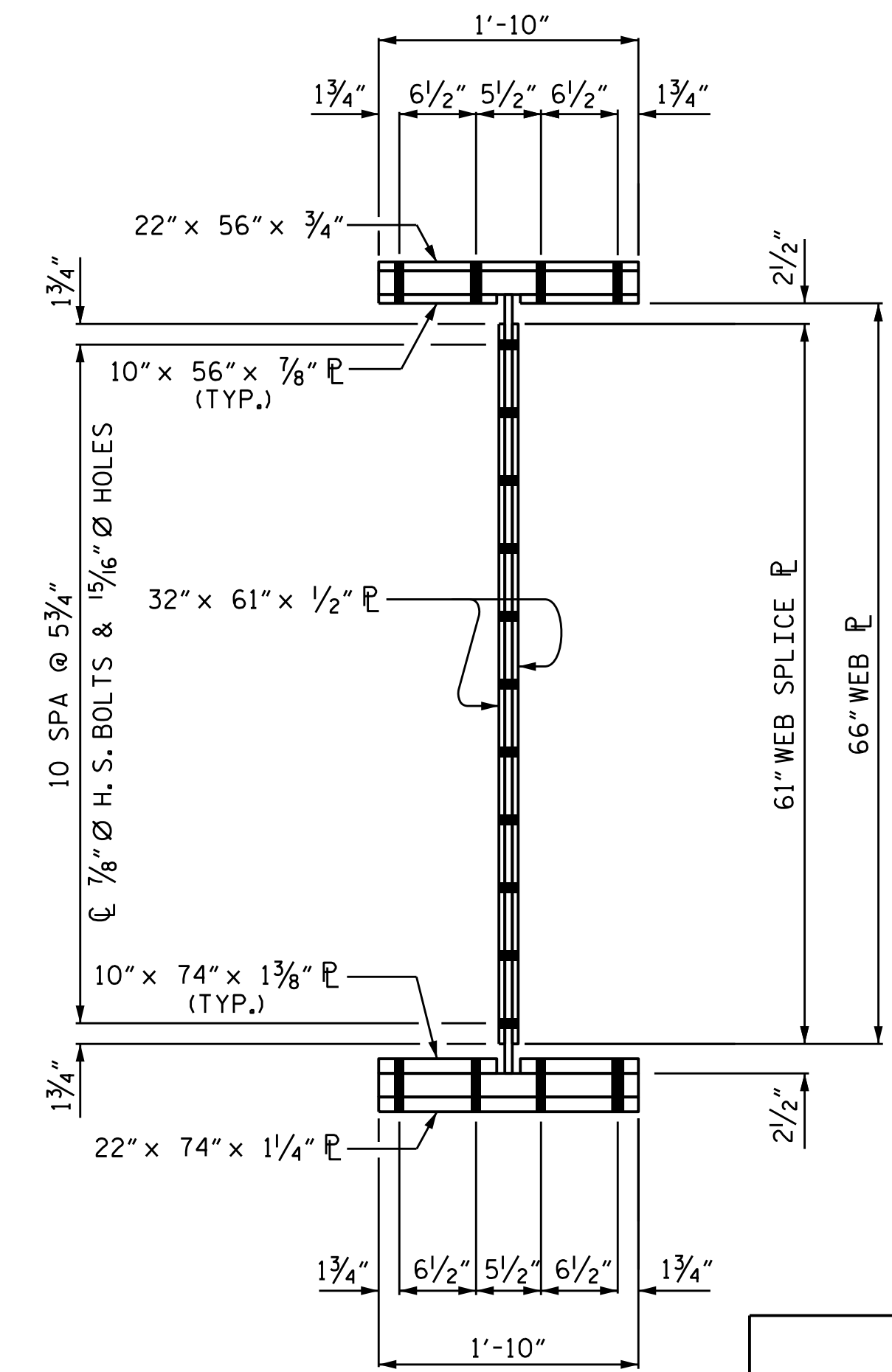
PLAN ( TOP OF TOP FLANGE )



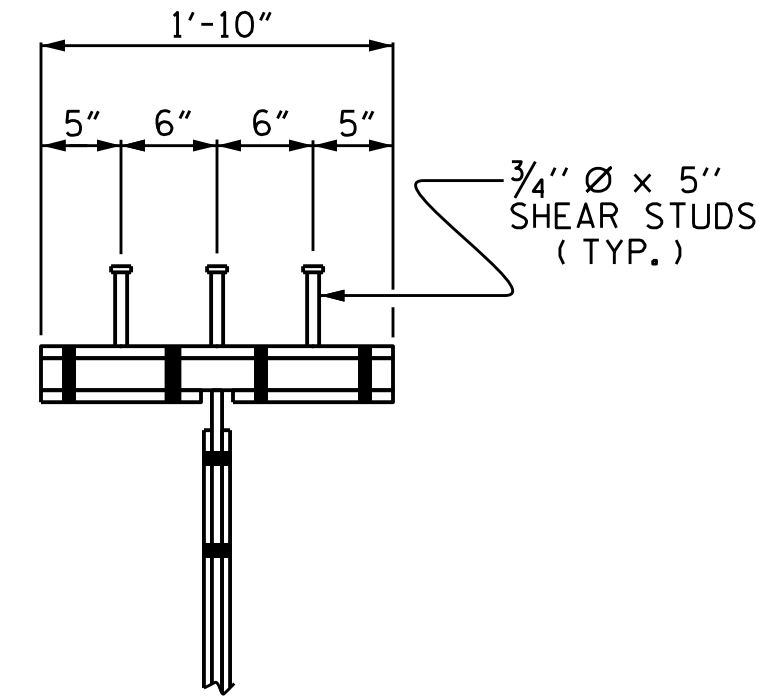
PLAN ( TOP OF BOTTOM FLANGE )



ELEVATION



SECTION A-A



SHEAR STUD DETAIL FOR TOP FLANGE SPLICE PLATE  
SHEAR STUDS ARE TO BE SHOP WELDED ON TOP OF PLATE BEFORE FIELD ASSEMBLY.

PROJECT NO. R-2566BA  
WATAUGA COUNTY  
 STATION: 164+30.00 -L-  
 SHEET 5 OF 10

**BOLTED FIELD SPLICE NO.1 DETAILS**

DRAWN BY : S. B. WILLIAMS DATE : 5-19  
 CHECKED BY : MGC DATE : 5-19  
 DESIGN ENGINEER OF RECORD: RDE DATE : 9-21

9/30/2021 | 1:43 PM EDT

DOCUMENT NOT CONSIDERED FINAL UNLESS ALL SIGNATURES COMPLETED

TGS ENGINEERS  
 706 HILLSBOROUGH STREET  
 SUITE 200  
 RALEIGH, NC 27603  
 PH (919) 773-8887  
 CORP. LICENSE NO.: C-0275

STATE OF NORTH CAROLINA  
 DEPARTMENT OF TRANSPORTATION  
 RALEIGH

**SUPERSTRUCTURE  
 STRUCTURAL STEEL  
 DETAILS**

REVISIONS						SHEET NO.
NO.	BY:	DATE:	NO.	BY:	DATE:	S-21
1			3			TOTAL SHEETS 79
2			4			

9/23/2021  
 X:\NCDOT\R-2566BA\Structures\Final plans\DCN files\401.043.R-2566BA.SMU. SS05.S21.940005.dgn  
 Users\sbwilliams