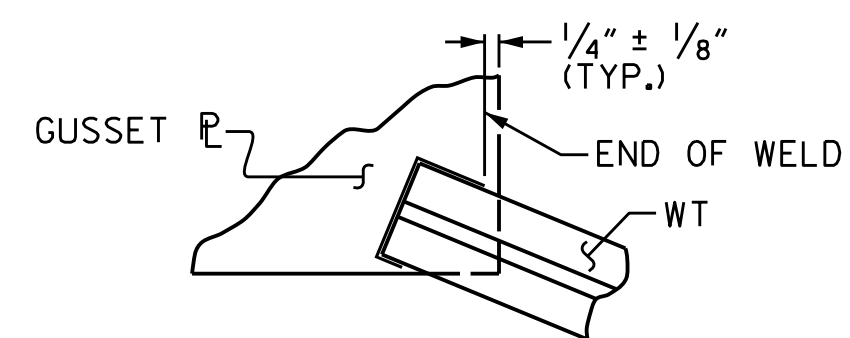


TYPICAL GUSSET PLATE CONNECTION



TYPICAL "TEE" TO GUSSET PLATE CONNECTION

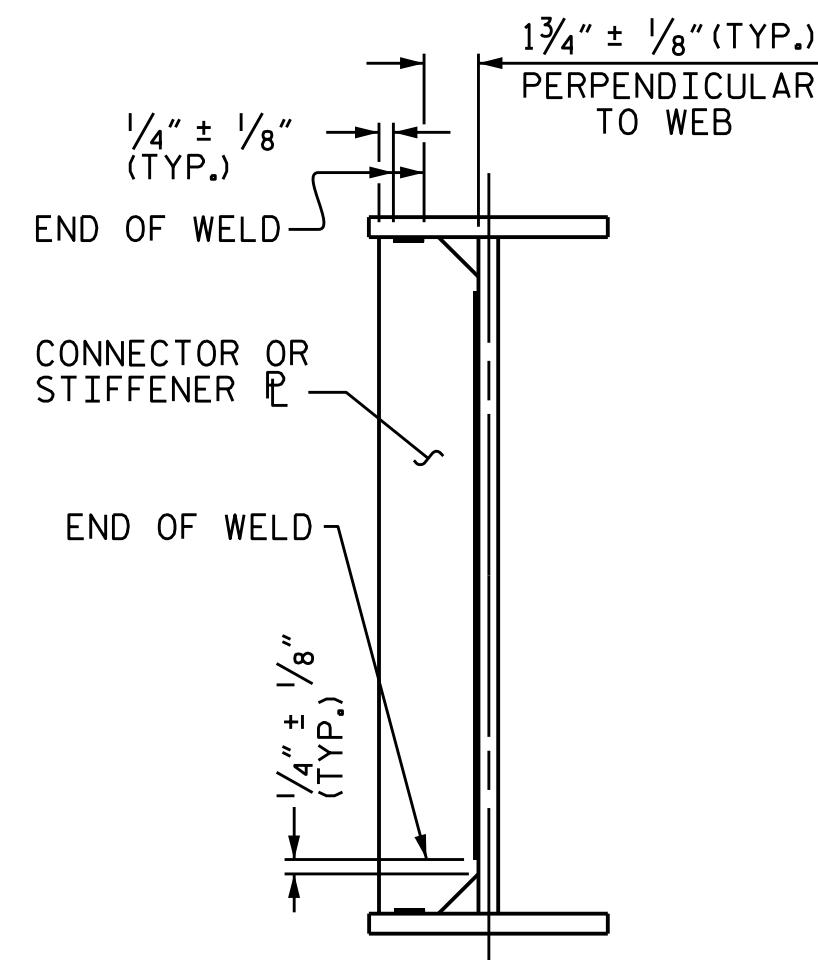
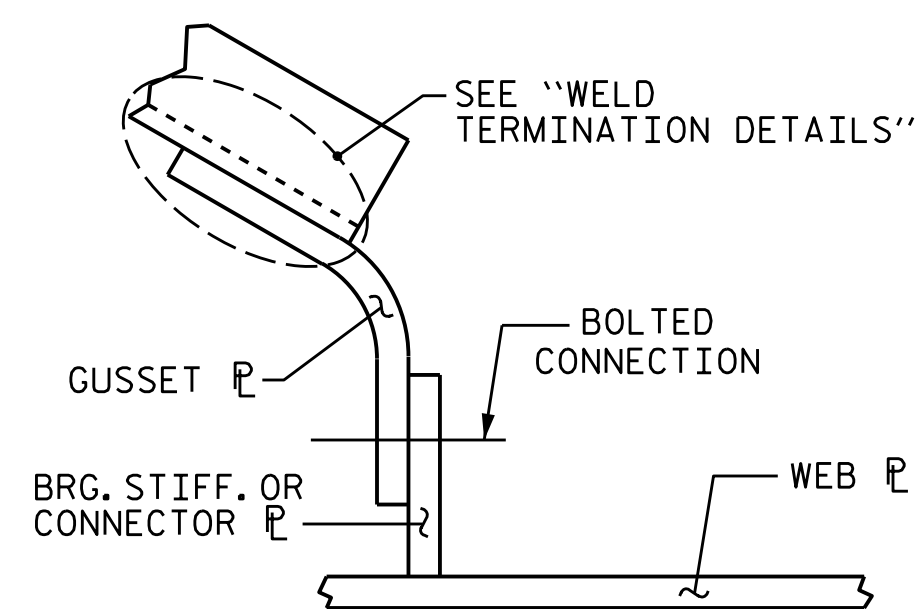
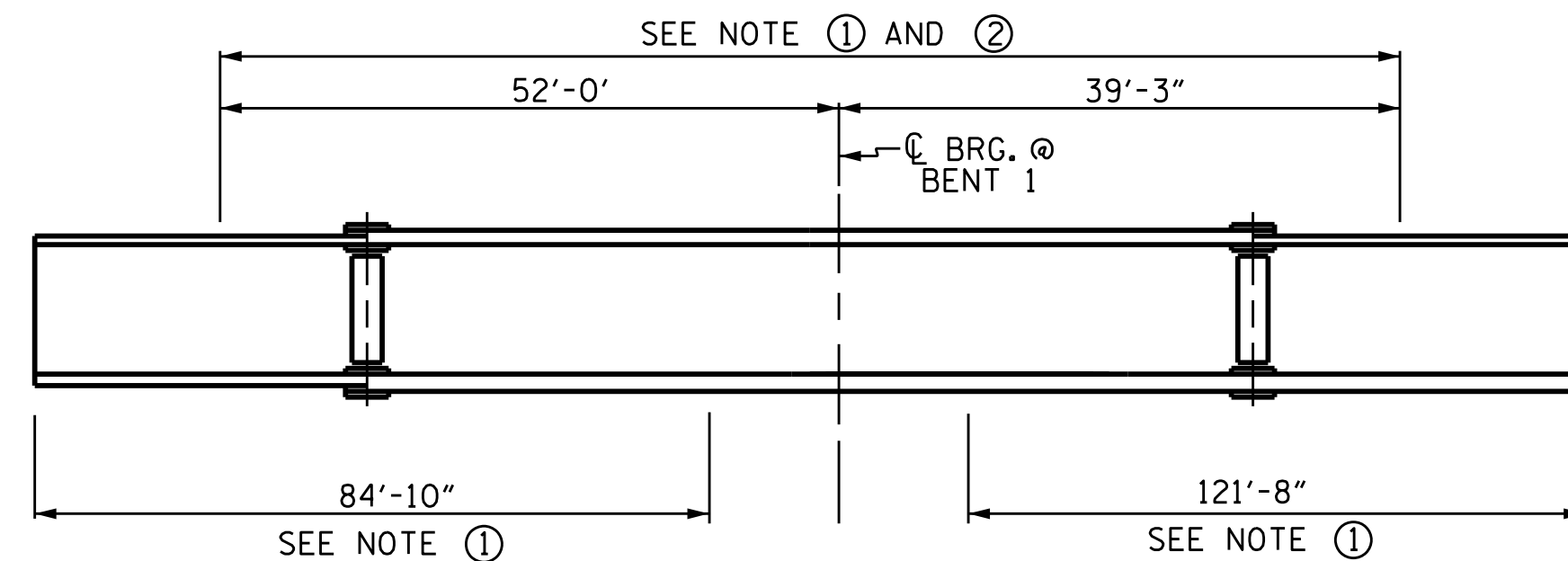


PLATE GIRDER
TYPICAL STIFFENER OR CONNECTOR PLATE CONNECTIONS



BENT GUSSET

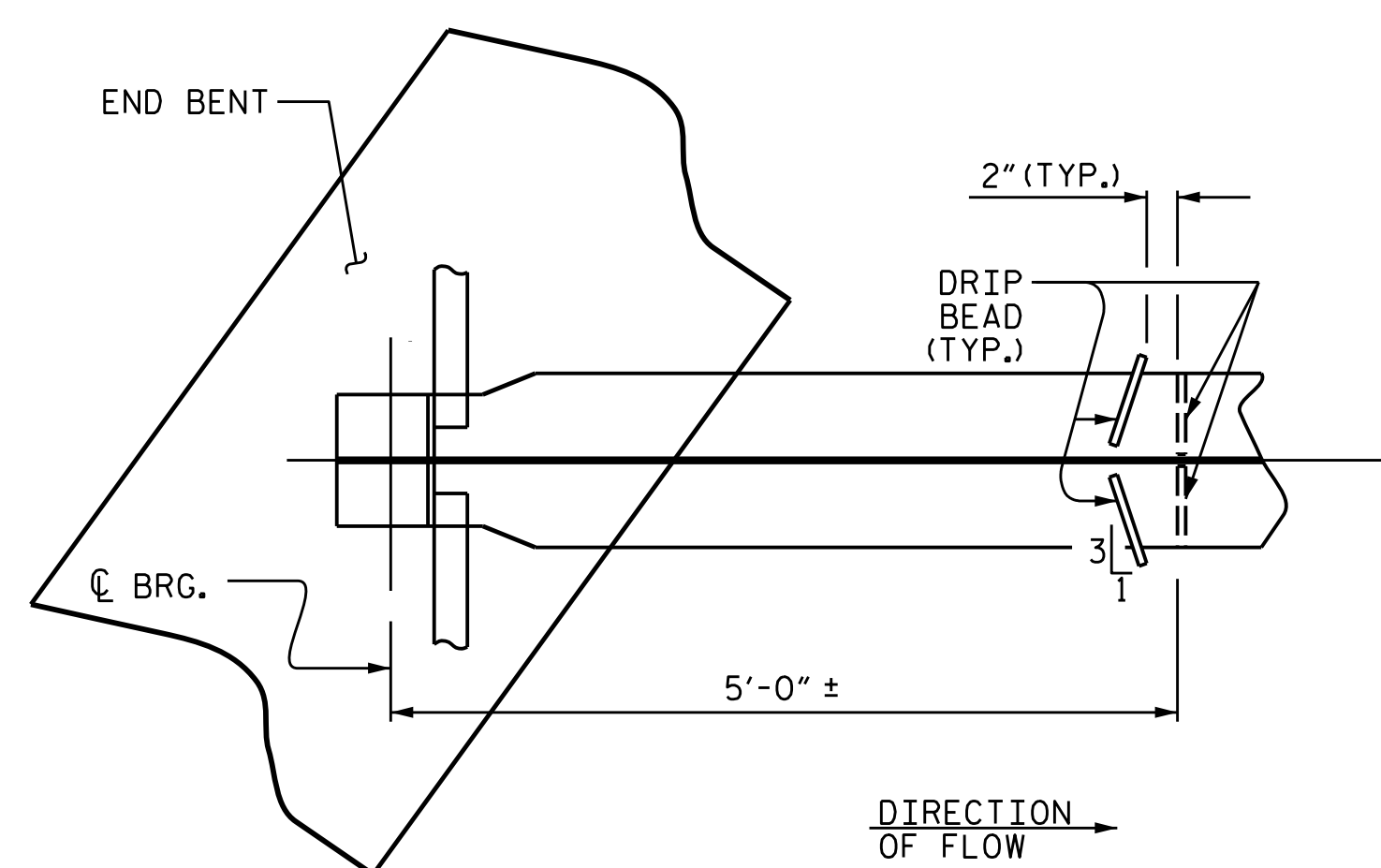


GIRDER MAKE UP

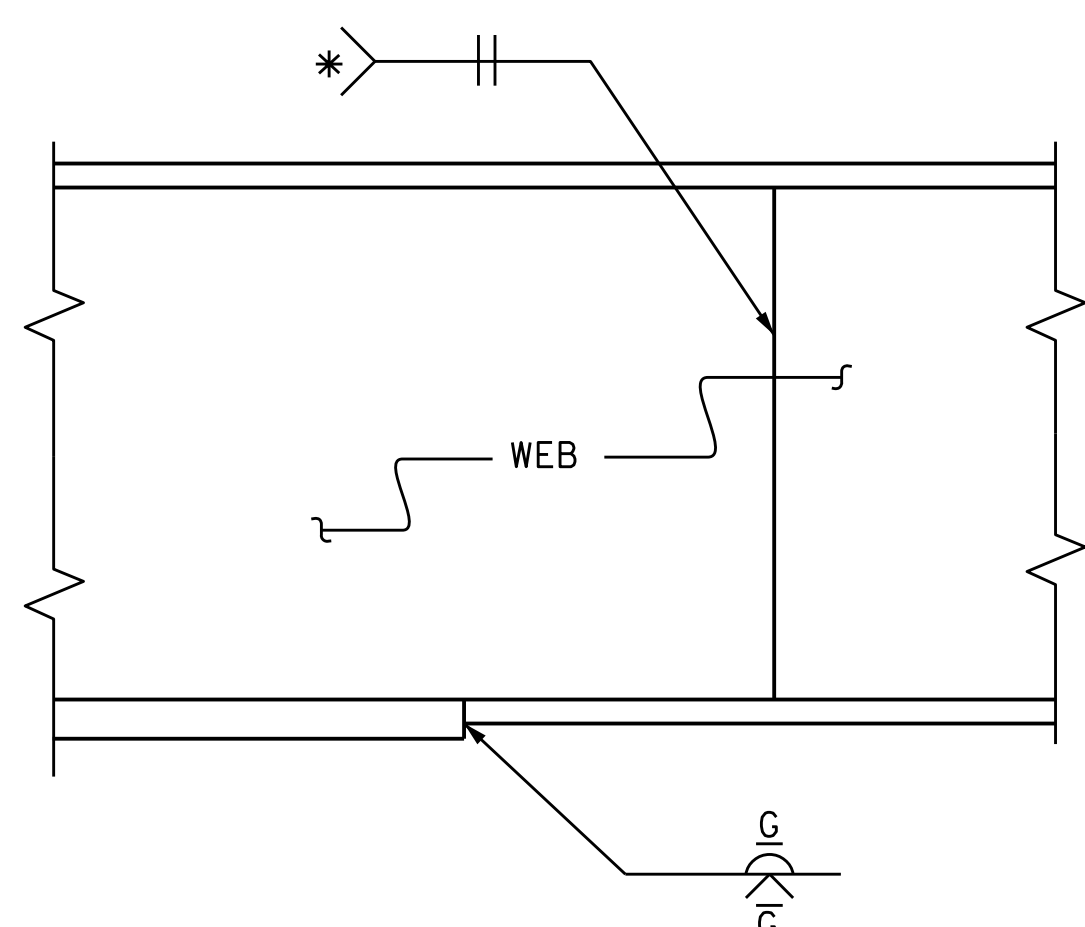
NOTE ①: CHARPY V-NOTCH TESTS ARE REQUIRED FOR ALL TOP OR BOTTOM FLANGE PLATES WHICH FALL WITHIN THESE LIMITS, ALL WEB PLATES, AND ALL SPLICE PLATES. IF A PERMITTED SHOP FLANGE SPLICE IS NOT USED, CHARPY V-NOTCH TESTS WILL BE REQUIRED FOR THE ENTIRE FLANGE PLATE. FOR CHARPY V-NOTCH TESTS, SEE ARTICLE 1072-7 OF THE STANDARD SPECIFICATIONS.

NOTE ②: NO WELDING OF FORMS OR FALSEWORK TO THE TOP FLANGE WILL BE PERMITTED IN THIS REGION.

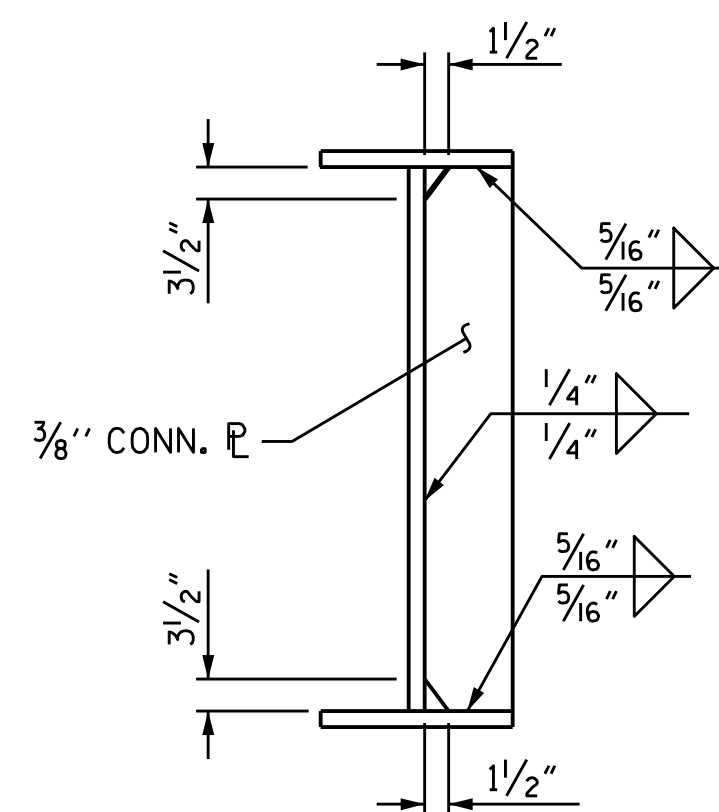
WELD TERMINATION DETAILS



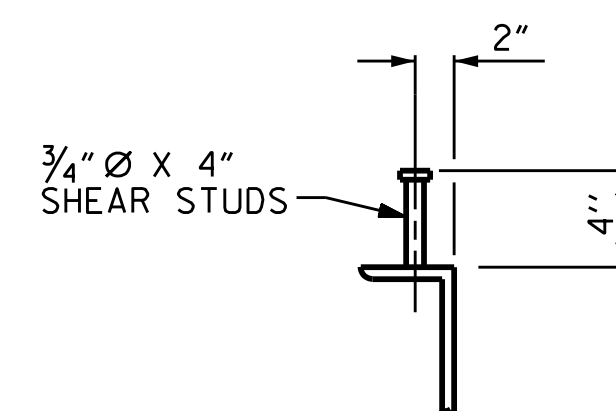
PART PLAN BOTTOM FLANGE
(END BENT SHOWN, BENT SIMILAR)



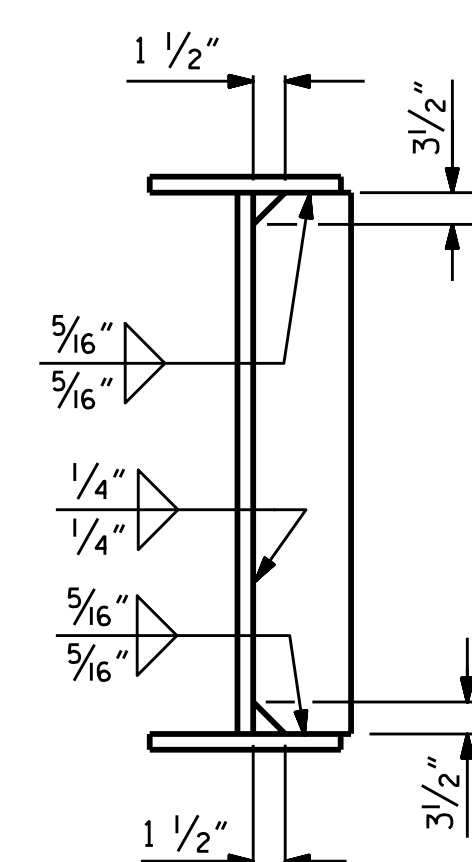
TYPICAL FLANGE AND WEB BUTT JOINT



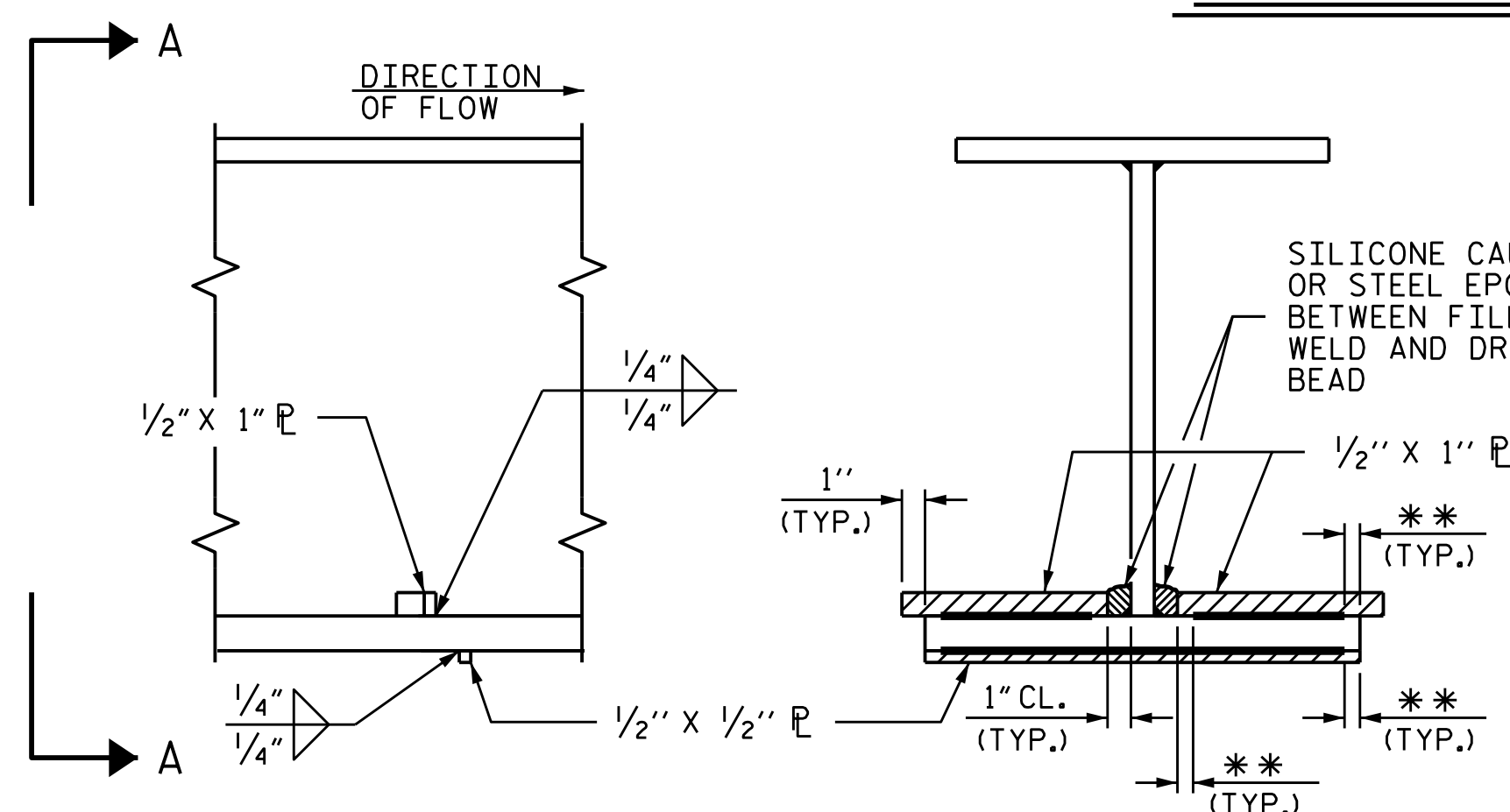
CONNECTOR PLATE



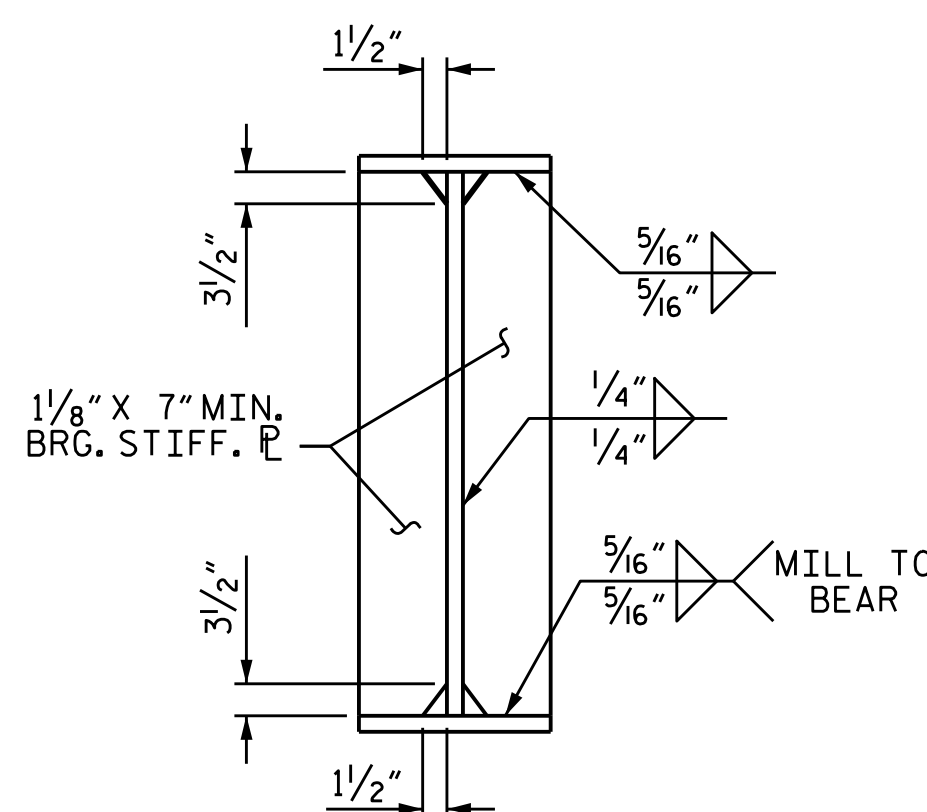
SHEAR STUD DETAILS
(TYP. EA. END BENT DIAPHRAGM)



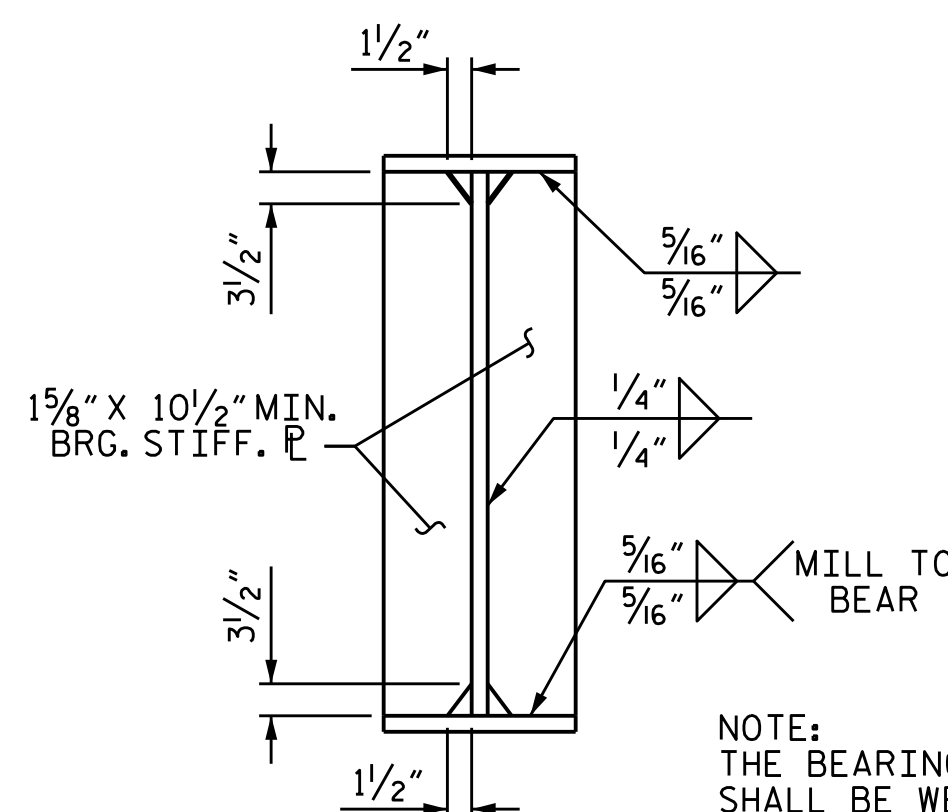
TRANSVERSE STIFFENER



DRIP BEAD DETAILS



BEARING STIFFENER
(AT END BENT)



BEARING STIFFENER
(AT BENT)

NOTE: THE BEARING STIFFENER SHALL BE WELDED TO THE BOTTOM FLANGE ONLY WHEN USED AS A CONNECTOR PLATE.

PROJECT NO. R-2566BA
WATAUGA COUNTY
STATION: 164+34.00 -L-

SHEET 4 OF 10



STATE OF NORTH CAROLINA
DEPARTMENT OF TRANSPORTATION
RALEIGH

SUPERSTRUCTURE
STRUCTURAL STEEL
DETAILS

DRAWN BY: S. B. WILLIAMS DATE: 4-19
CHECKED BY: MGC DATE: 5-19
DESIGN ENGINEER OF RECORD: RDE DATE: 9-21

9/23/2021 X:\NCDOT\R-2566BA\Structures\Final plans\DCN files\401.041.R-2566BA.SMU. SS04.520.940005.dgn User:rsbwilliams

DOCUMENT NOT CONSIDERED FINAL UNLESS ALL SIGNATURES COMPLETED
TGS ENGINEERS
706 HILLSBOROUGH STREET
SUITE 200
RALEIGH, NC 27603
PH (919) 773-8887
CORP. LICENSE NO.: C-0275

REVISIONS						SHEET NO.
NO.	BY:	DATE:	NO.	BY:	DATE:	S-20
1			3			TOTAL SHEETS
2			4			79