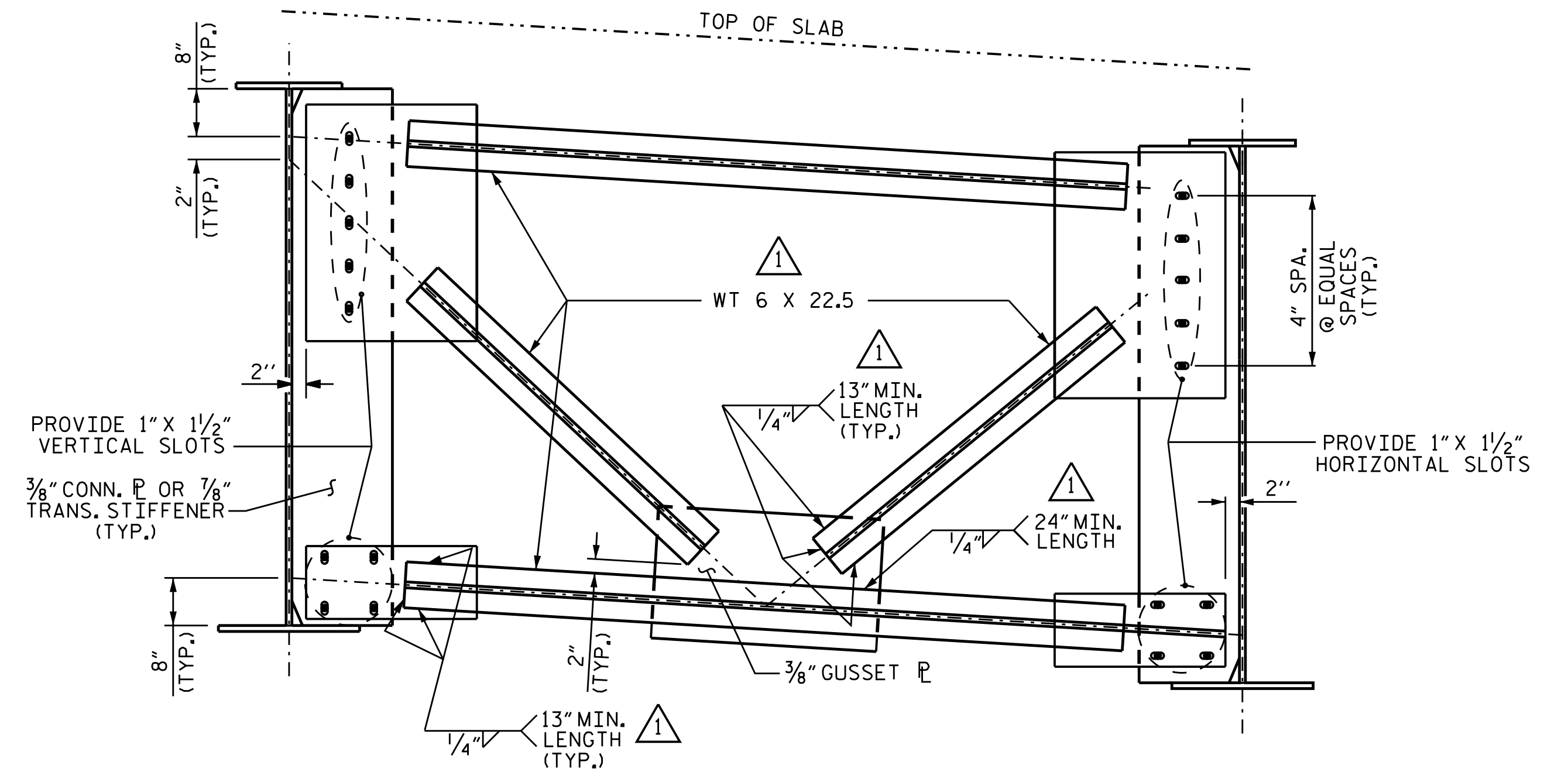


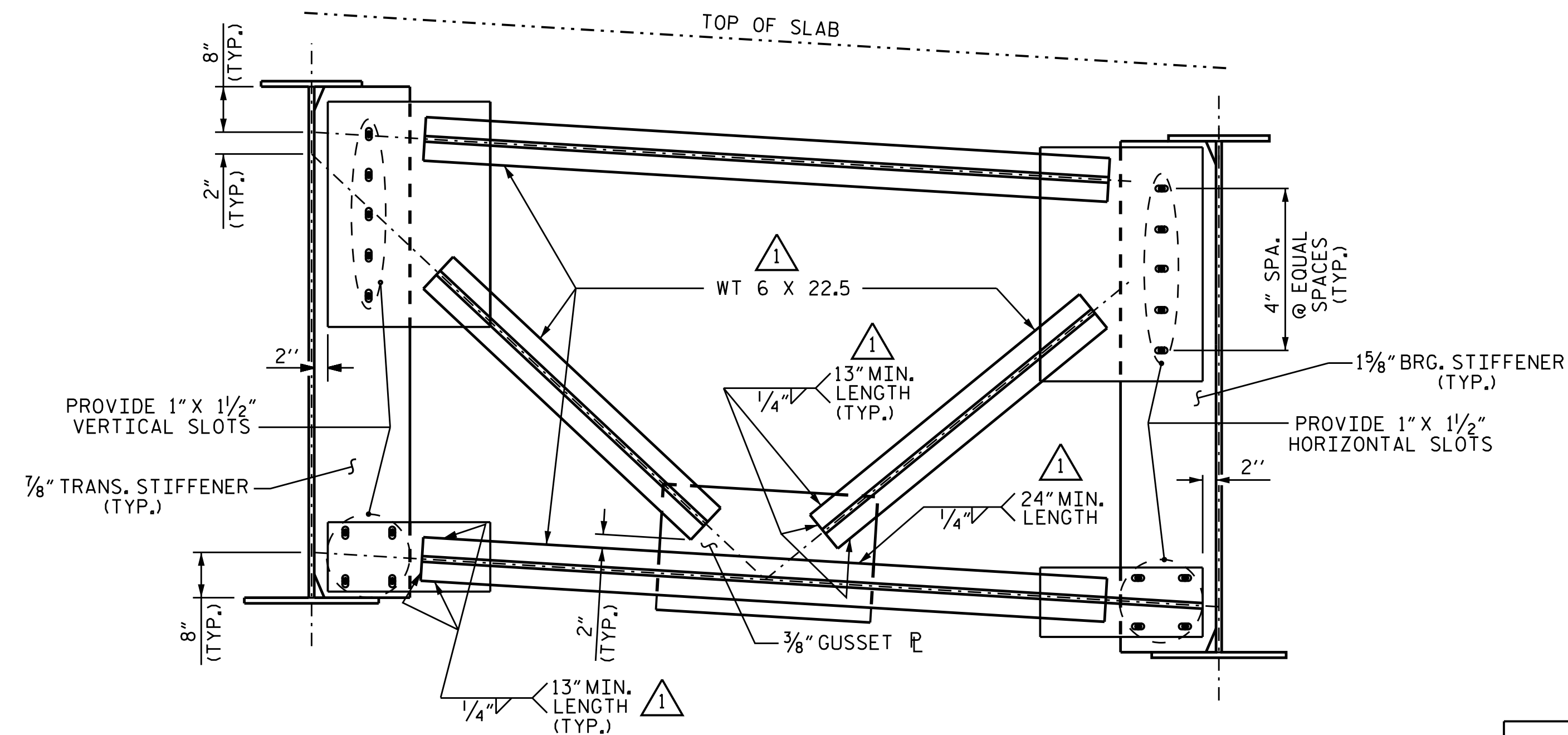
END BENT DIAPHRAGM D4-STAGE III

(2 TOTAL)



TYPICAL INTERMEDIATE DIAPHRAGM D5-STAGE III

(17 TOTAL)



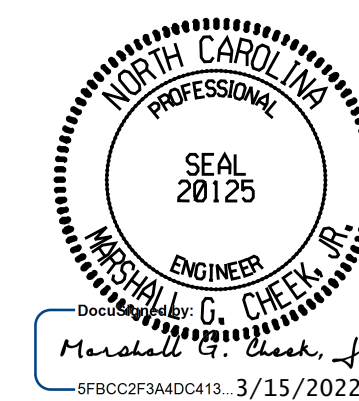
TYPICAL BENT DIAPHRAGM D6-STAGE III

(1 REQ'D)

WATAUGA R-2566BA
 WATAUGA COUNTY
 STATION: 164+30.00 -L-

SHEET 3 OF 10

⚠️ REVISED DIAPHRAGM WT SIZE, AND MIN. WELDS.



DOCUMENT NOT CONSIDERED FINAL UNLESS ALL SIGNATURES COMPLETED
 TGS ENGINEERS
 706 HILLSBOROUGH STREET SUITE 200
 RALEIGH, NC 27603
 PH (919) 773-8887
 CORP. LICENSE NO.: C-0275

STATE OF NORTH CAROLINA
 DEPARTMENT OF TRANSPORTATION
 RALEIGH
 SUPERSTRUCTURE
 STRUCTURAL STEEL
 DETAILS

DRAWN BY : S. B. WILLIAMS DATE : 4-19
 CHECKED BY : MGC DATE : 6-19
 DESIGN ENGINEER OF RECORD: RDE DATE : 9-21

REVISIONS						SHEET NO.
NO.	BY:	DATE:	NO.	BY:	DATE:	S-19
1	NMW	3/22	3			TOTAL SHEETS
2			4			79

*****SYSTEM*****
 *****DCN*****
 *****USER*****