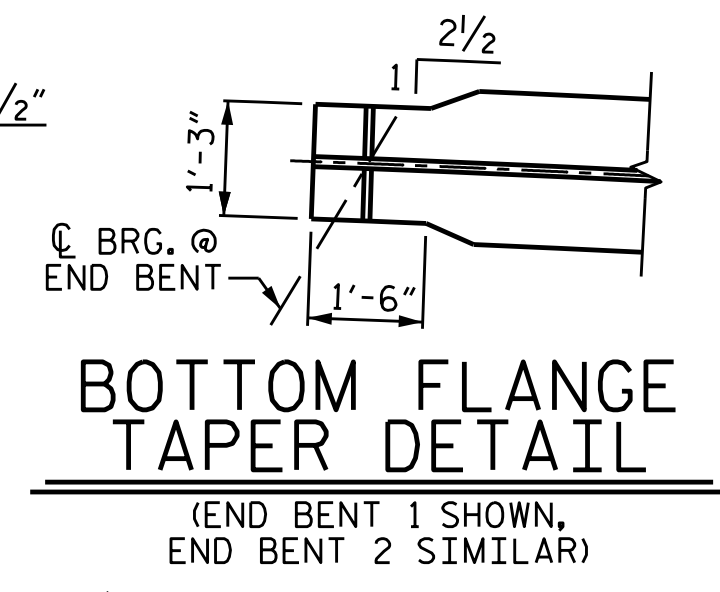
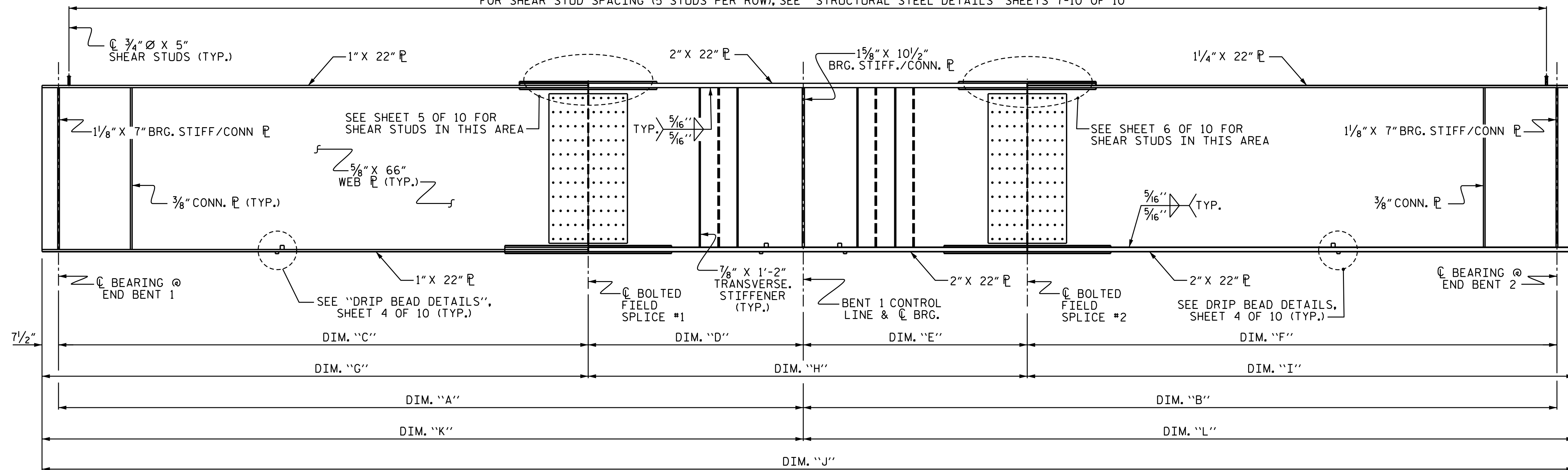
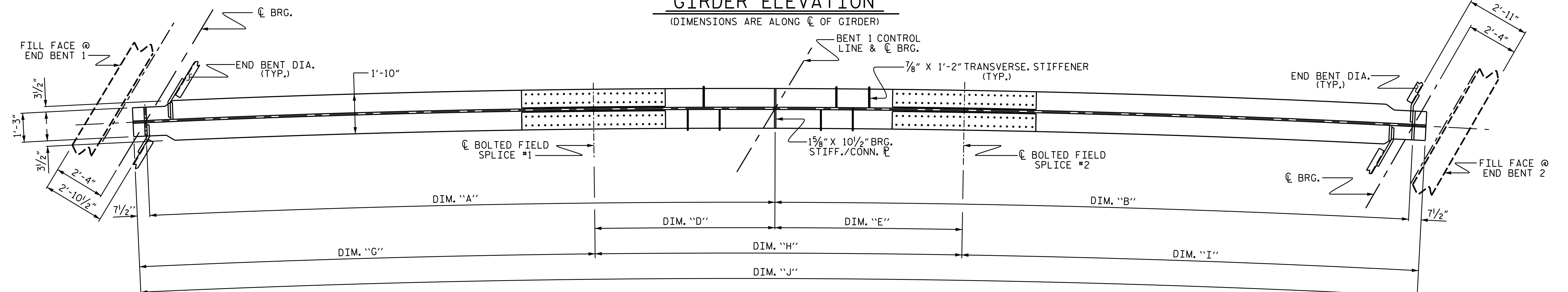


FOR SHEAR STUD SPACING (5 STUDS PER ROW), SEE "STRUCTURAL STEEL DETAILS" SHEETS 7-10 OF 10



GIRDER ELEVATION

(DIMENSIONS ARE ALONG C OF GIRDER)



BOTTOM FLANGE DETAIL

INTERIOR GIRDER SHOWN, EXTERIOR GIRDER SIMILAR EXCEPT NO CONNECTOR P'S SHALL BE PLACED ON THE OUTSIDE OF WEB.

GIRDER DIMENSIONS

GIRDER	RADIUS	A	B	C	D	E	F	G	H	I	J	K	L
1	1403'- 1/2"	114'-5 1/4"	147'-0 9/16"	65'-1 1/8"	49'-4 1/8"	29'-11 3/8"	117'- 1 3/16"	65'- 8 5/8"	79'- 3 1/2"	117'- 8 11/16"	262'- 8 3/16"	115'-0 3/4"	147'- 8 1/16"
2	1393'- 2 1/2"	114'-8 7/8"	147'-3 3/16"	68'- 3"	46'-5 5/8"	32'-7 3/8"	114'- 8 3/16"	68'-10 1/2"	79'- 1 1/4"	115'- 3 11/16"	263'- 3 3/16"	115'- 4 3/8"	147'-11 1/16"
3	1383'-3 1/2"	115'-0 9/16"	147'-6 9/16"	68'-5 1/8"	46'-7 1/16"	32'-7 5/16"	114'-10 5/8"	69'-0 5/8"	79'- 3 3/8"	115'- 6 1/8"	263'-10 1/8"	115'- 8 1/16"	148'- 2 1/16"
4	1373'- 4 1/2"	115'-4 3/8"	147'-9 1/16"	68'-7 1/4"	46'-9 1/8"	32'-8 9/16"	115'- 1 1/8"	69'-2 3/4"	79'- 5 1/16"	115'- 8 5/8"	264'-5 1/16"	115'-11 7/8"	148'- 5 3/16"
5	1363'- 5 1/2"	115'-8 5/16"	148'-0 15/16"	68'-9 1/2"	46'-10 3/16"	32'-9 3/16"	115'- 3 3/4"	69'- 5"	79'- 8"	115'-11 1/4"	265'- 0 1/4"	116'- 3 13/16"	148'- 8 7/16"
6	1353'- 6 1/2"	116'-0 3/8"	148'-4 1/4"	68'-11 7/8"	47'-0 1/2"	32'-9 7/8"	115'-6 3/8"	69'- 7 3/8"	79'- 10 3/8"	116'- 1 7/8"	265'- 7 5/8"	116'- 7 7/8"	148'-11 3/4"
7	1343'- 7 1/2"	116'-4 9/16"	148'-7 5/8"	69'-2 7/8"	47'-1 11/16"	32'-11 1/16"	115'- 8 9/16"	69'- 10 3/8"	80'- 0 3/4"	116'- 4 1/16"	266'- 3 3/16"	117'- 0 1/16"	149'- 3 3/8"
8	1333'-10 1/2"	116'-8 3/16"	148'-11 1/16"	69'-10 3/4"	46'-10 1/16"	33'-4 1/16"	115'- 6 5/8"	70'- 6 1/4"	80'- 2 1/2"	116'- 2 1/8"	266'-10 7/8"	117'- 4 5/16"	149'- 6 9/16"
9	1325'- 6 1/2"	117'-0 1/2"	149'- 2 1/16"	70'-0 7/8"	46'-11 5/8"	33'-5 1/8"	115'- 8 3/8"	70'- 8 3/8"	80'- 4 3/4"	116'- 4 7/16"	267'- 5 1/16"	117'- 8"	149'- 9 9/16"
10	1317'-2 1/2"	117'-4 3/8"	149'-5 1/8"	70'-3 3/16"	47'-1 3/16"	33'-5 3/4"	115'-11 3/8"	70'-10 11/16"	80'- 6 5/16"	116'- 6 7/8"	268'- 0 1/2"	117'-11 7/8"	150'- 0 5/8"
11	1308'-10 1/2"	117'-8 5/16"	149'-8 5/16"	73'-1 13/16"	44'-6 1/2"	35'-10 1/2"	113'- 9 3/16"	73'- 9 5/16"	80'- 5"	114'- 5 5/16"	268'- 7 5/8"	118'-3 13/16"	150'- 3 13/16"

ALL GIRDER DIMENSIONS ARE MEASURED ALONG C OF GIRDER.

PROJECT NO. R-2566BA
WATAUGA COUNTY
 STATION: 164+30.00 -L-

SHEET 1 OF 10

Marshall G. Cheek, Jr.
 9/30/2021 | 1:43 PM EDT

STATE OF NORTH CAROLINA
 DEPARTMENT OF TRANSPORTATION
 RALEIGH

**SUPERSTRUCTURE
 STRUCTURAL STEEL
 DETAILS**

REVISIONS						SHEET NO.
NO.	BY:	DATE:	NO.	BY:	DATE:	S-17
1			3			TOTAL SHEETS
2			4			79

DOCUMENT NOT CONSIDERED FINAL UNLESS ALL SIGNATURES COMPLETED
 TGS ENGINEERS
 706 HILLSBOROUGH STREET SUITE 200
 RALEIGH, NC 27603
 PH (919) 773-8887
 CORP. LICENSE NO.: C-0275

DRAWN BY: S. B. WILLIAMS DATE: 2-19
 CHECKED BY: MGC DATE: 4-19
 DESIGN ENGINEER OF RECORD: RDE DATE: 9-21