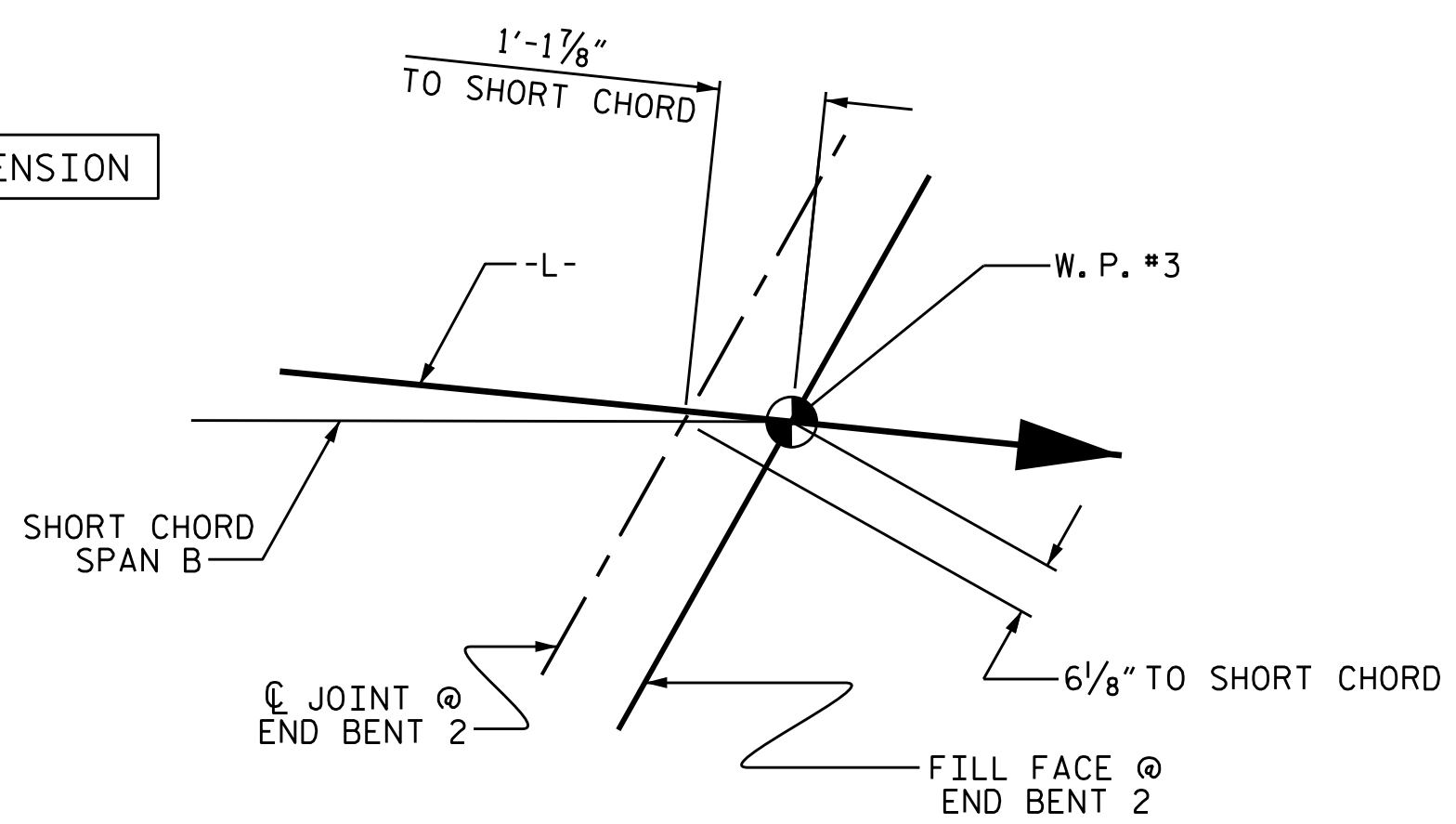


\* RADIAL DIMENSION

\* RADIAL DIMENSION

**PLAN OF SPAN B**

**NOTES :**  
 #5 "A" BARS ARE TO BE PLACED RADIALLY @ 6" CENTERS MEASURED ALONG LEFT OUTSIDE EDGE OF SUPERSTRUCTURE.  
 FOR PARAPET REINFORCING STEEL, SEE "CONCRETE PARAPET DETAILS" SHEET.



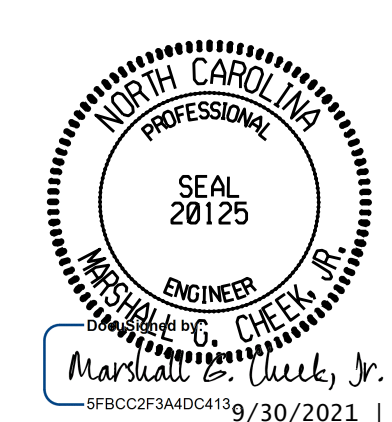
**DETAIL "B"**

PROJECT NO. R-2566BA  
WATAUGA COUNTY  
 STATION: 164+30.00 -L-

SHEET 2 OF 4

STATE OF NORTH CAROLINA  
 DEPARTMENT OF TRANSPORTATION  
 RALEIGH

**SUPERSTRUCTURE  
 PLAN OF SPAN B  
 STAGE I**



DOCUMENT NOT CONSIDERED FINAL UNLESS ALL SIGNATURES COMPLETED  
 TGS ENGINEERS  
 706 HILLSBOROUGH STREET SUITE 200  
 RALEIGH, NC 27603  
 PH (919) 773-8887  
 CORP. LICENSE NO.: C-0275

REVISIONS						SHEET NO.
NO.	BY:	DATE:	NO.	BY:	DATE:	S-12
1			3			TOTAL SHEETS
2			4			79

DRAWN BY : S. B. WILLIAMS DATE : 3-19  
 CHECKED BY : MGC DATE : 4-19  
 DESIGN ENGINEER OF RECORD: RDE DATE : 9-21