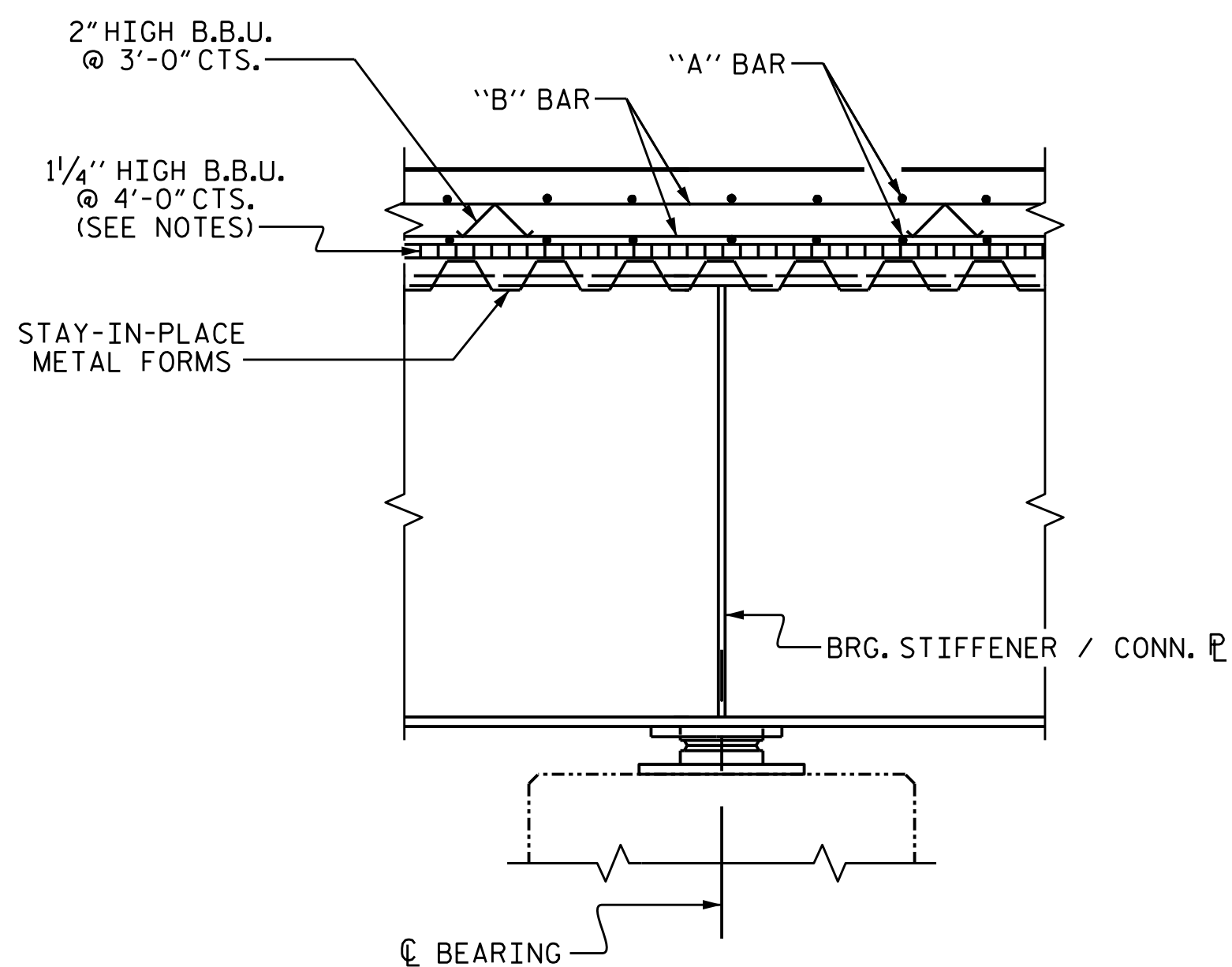
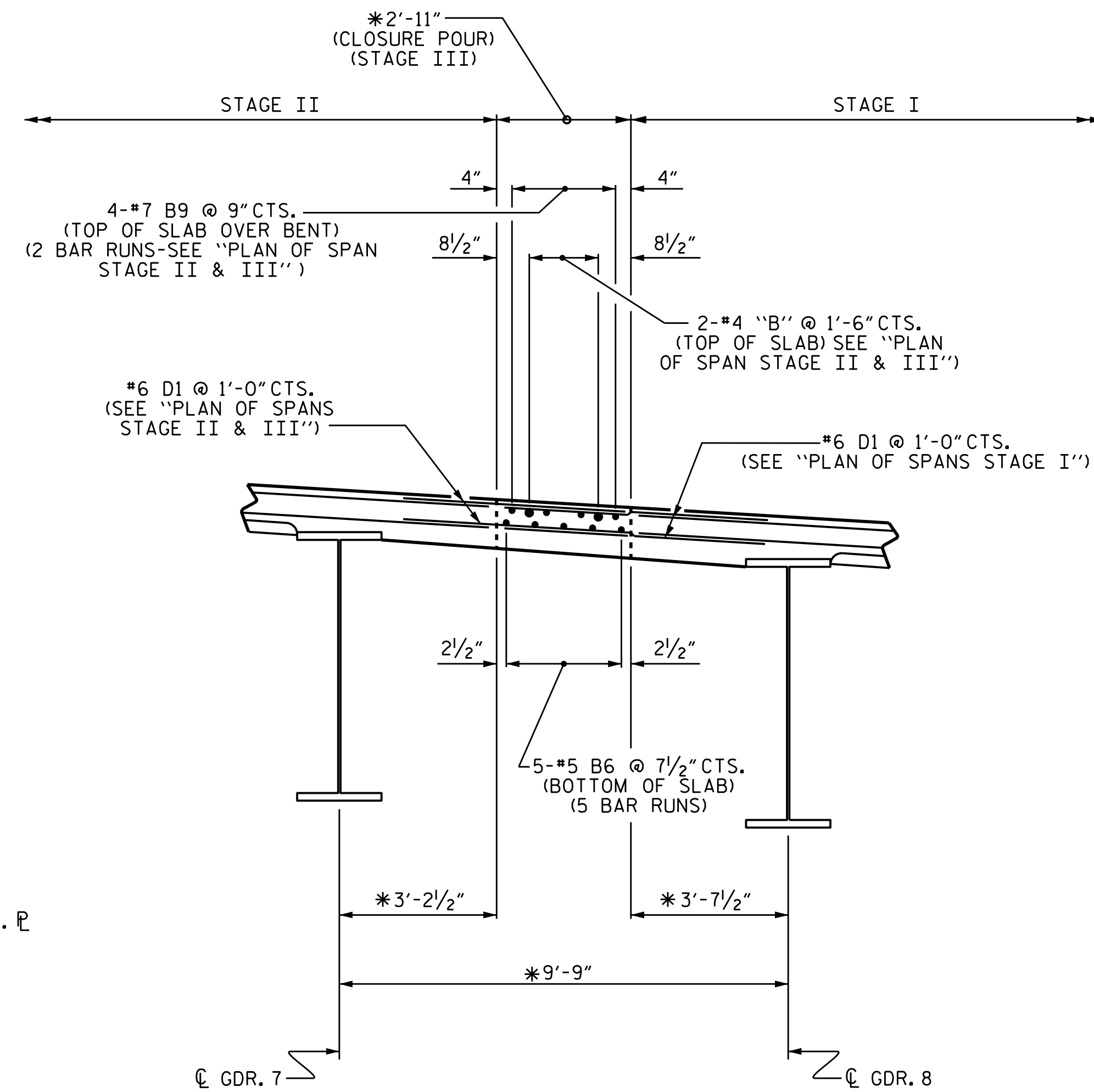


SECTION THRU END BENT DIAPHRAGM

** #5 "G" BAR MAY BE SHIFTED SLIGHTLY AS NECESSARY TO CLEAR REINFORCING STEEL & S1 BAR.



SECTION THRU BENT



DETAIL "B"

* RADIAL DIMENSION

PROJECT NO. R-2566BA

WATAUGA COUNTY

STATION: 164+30.00 -L-

SHEET 3 OF 3



STATE OF NORTH CAROLINA
DEPARTMENT OF TRANSPORTATION
RALEIGH

SUPERSTRUCTURE
TYPICAL SECTION
DETAILS

DRAWN BY : S. B. WILLIAMS DATE : 3-19
CHECKED BY : MGC DATE : 5-19
DESIGN ENGINEER OF RECORD: RDE DATE : 9-21

9/23/2021
X:\NCDOT\R-2566BA\Structures\Final plans\DCN files\401.021.R-2566BA.SMU. T503.510.940005.dgn
User: sbwilliams

DOCUMENT NOT CONSIDERED FINAL
UNLESS ALL SIGNATURES COMPLETED

TGS ENGINEERS
706 HILLSBOROUGH STREET
SUITE 200
RALEIGH, NC 27603
PH (919) 773-8887
CORP. LICENSE NO.: C-0275

REVISIONS						SHEET NO.
NO.	BY:	DATE:	NO.	BY:	DATE:	S-10
1			3			TOTAL SHEETS
2			4			79