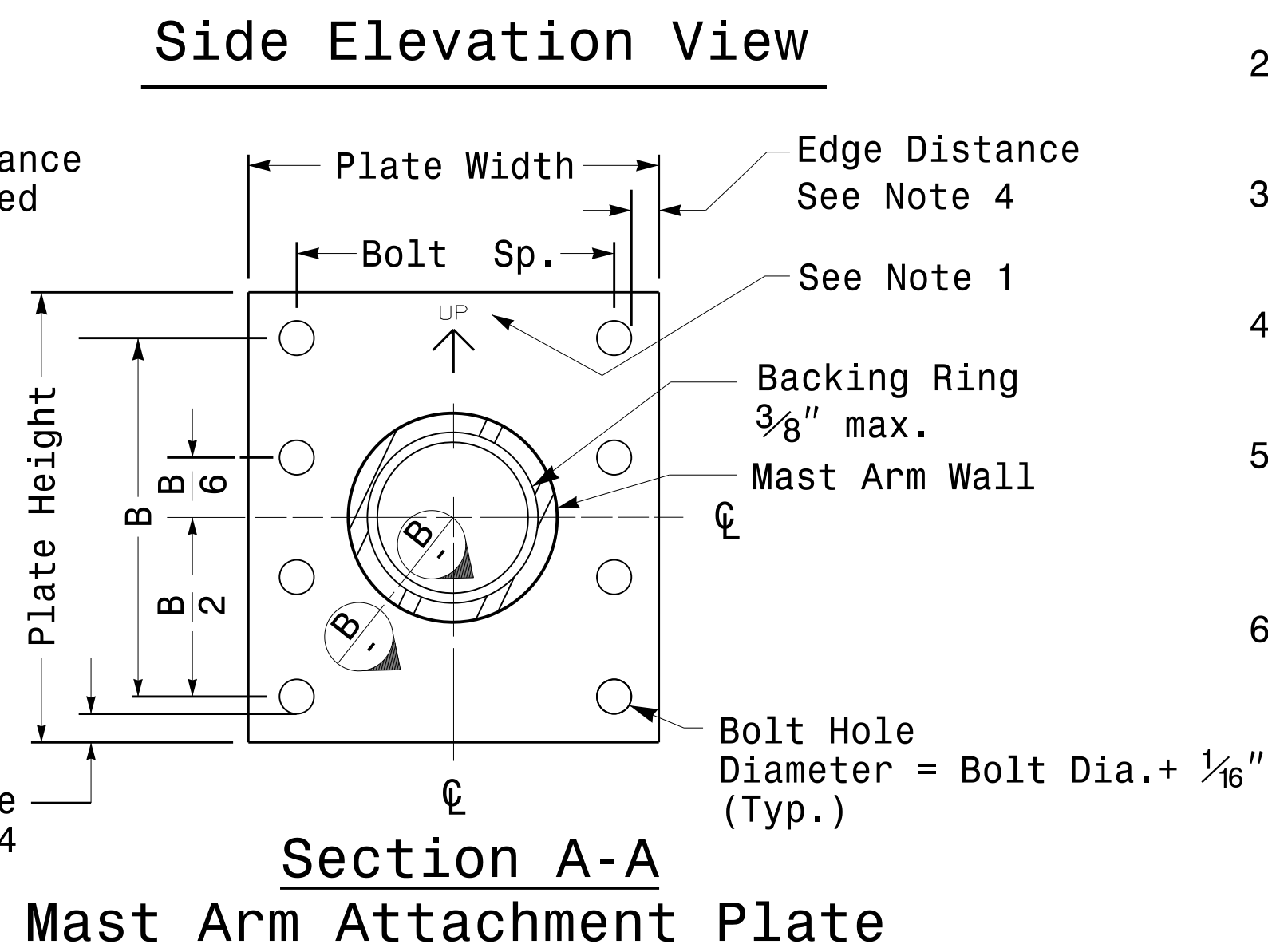
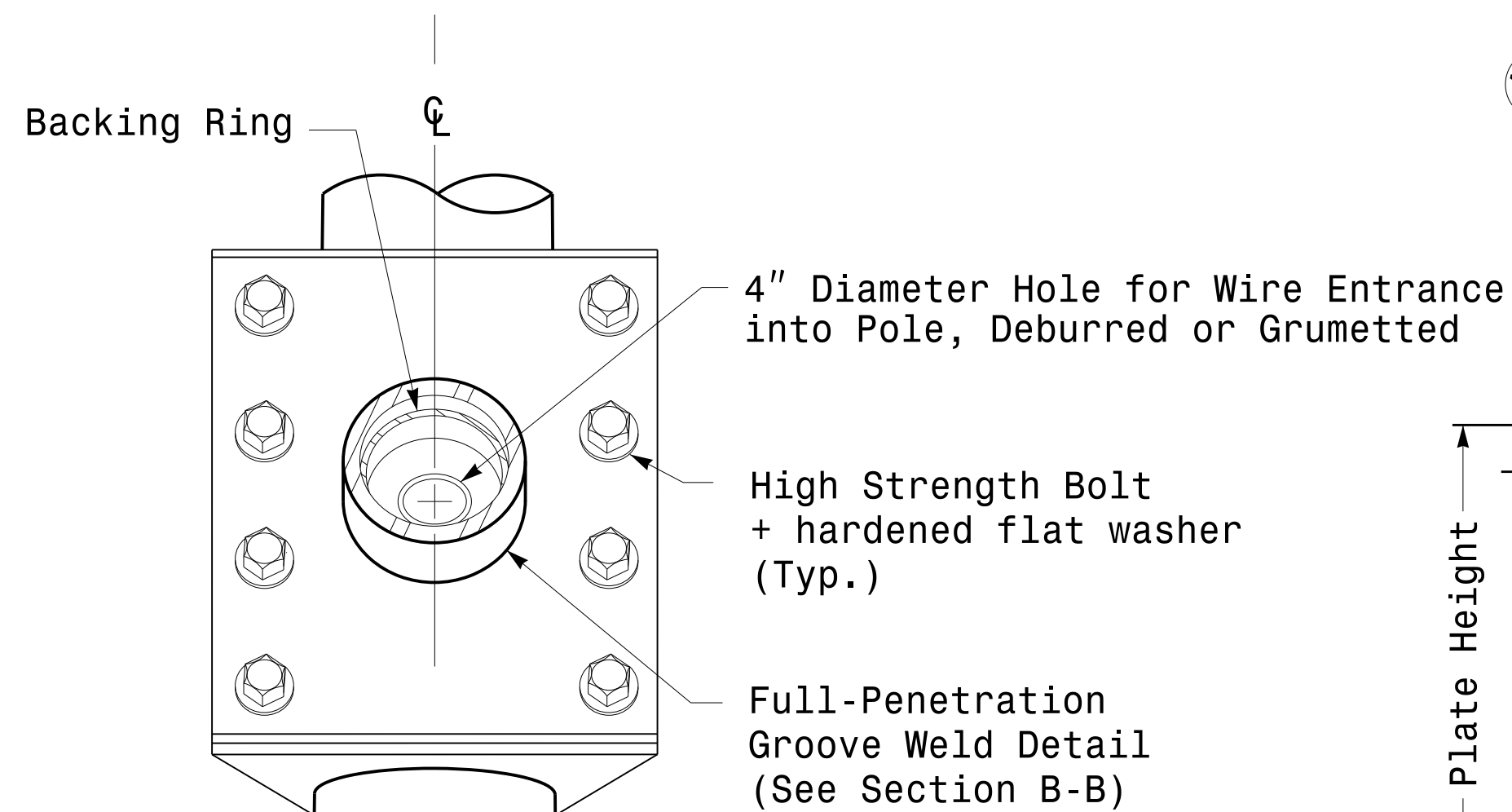
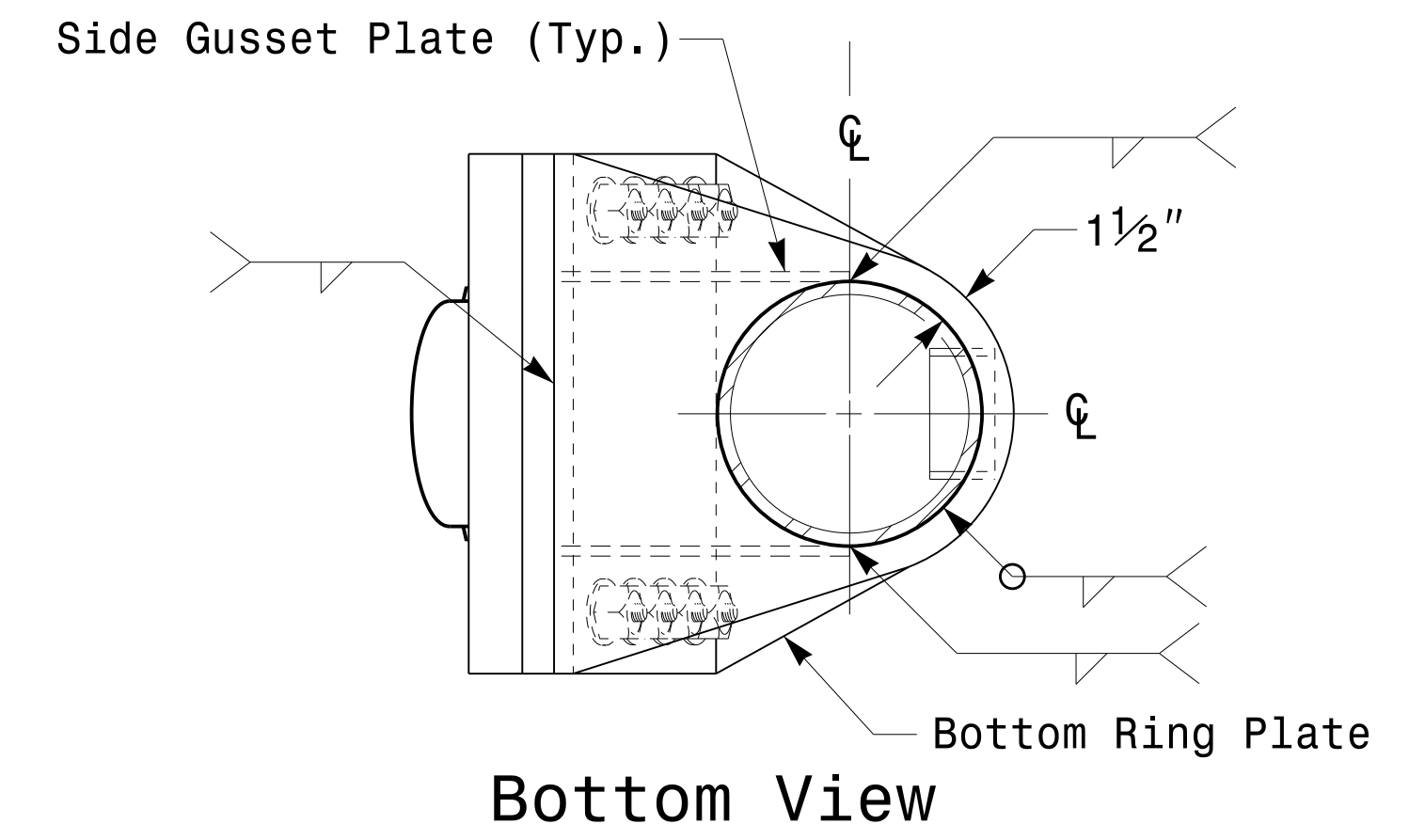
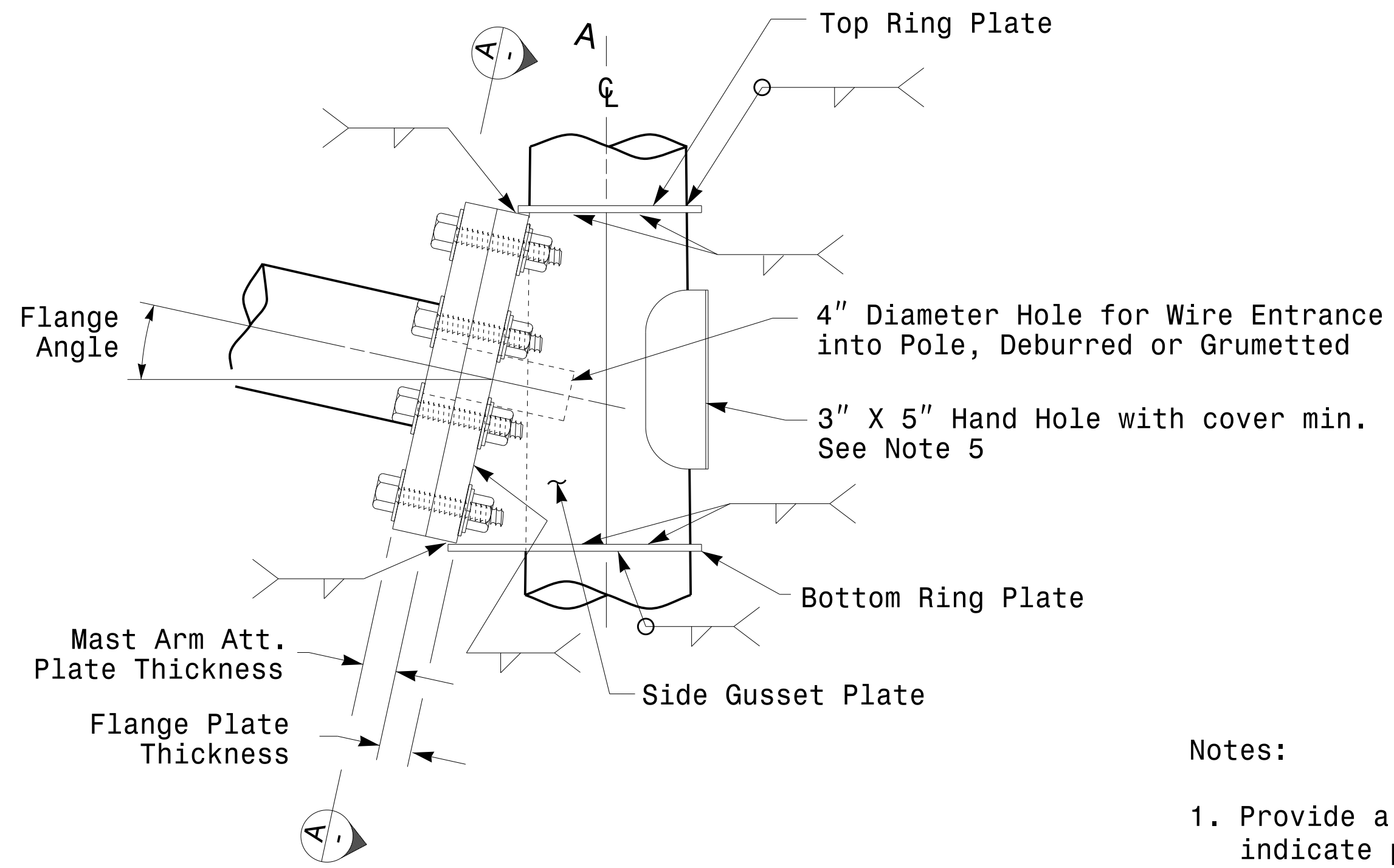
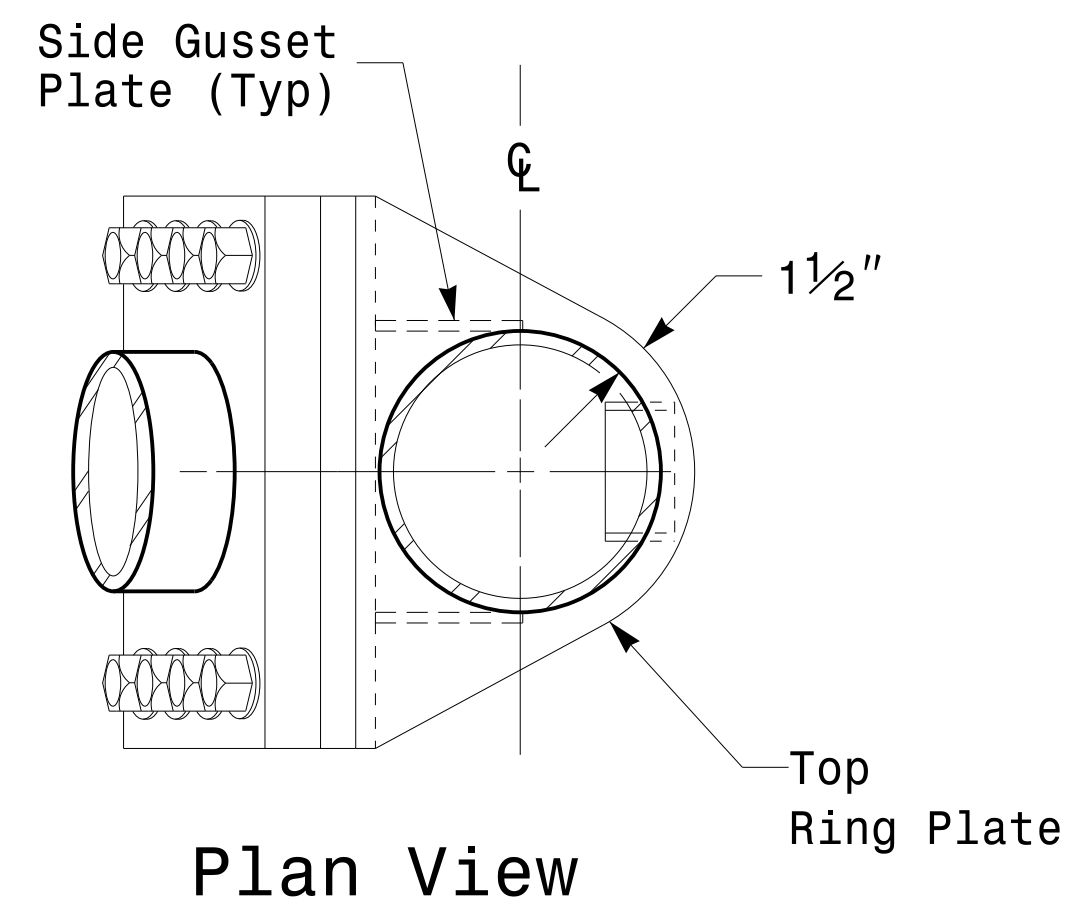


Welded Ring Stiffened Mast Arm Connection

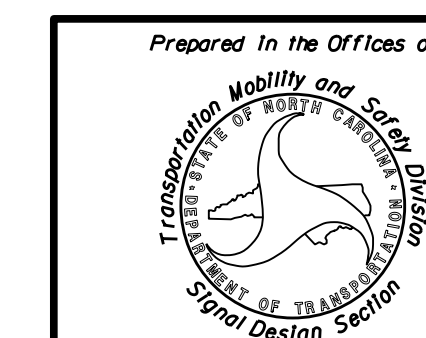
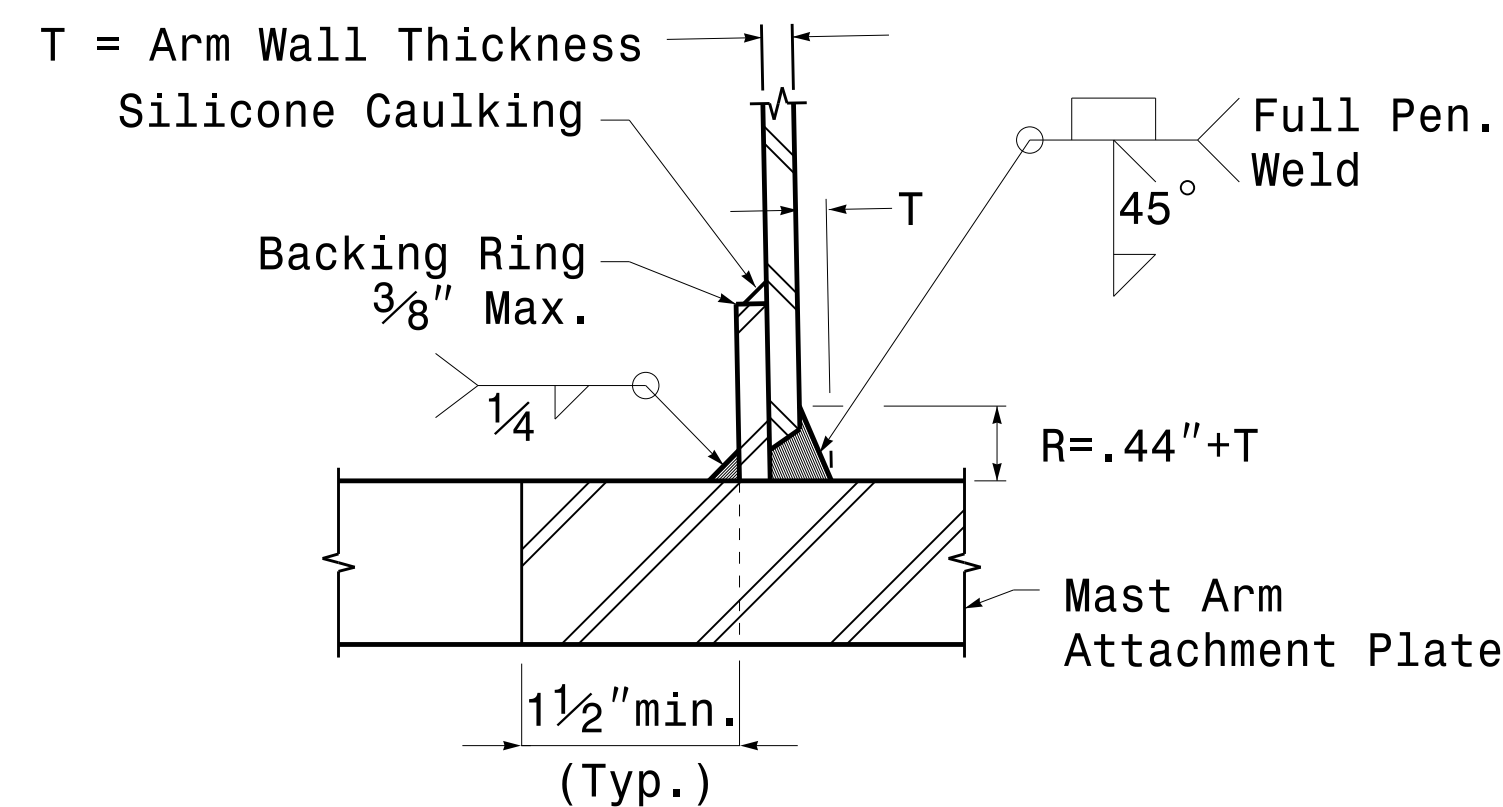
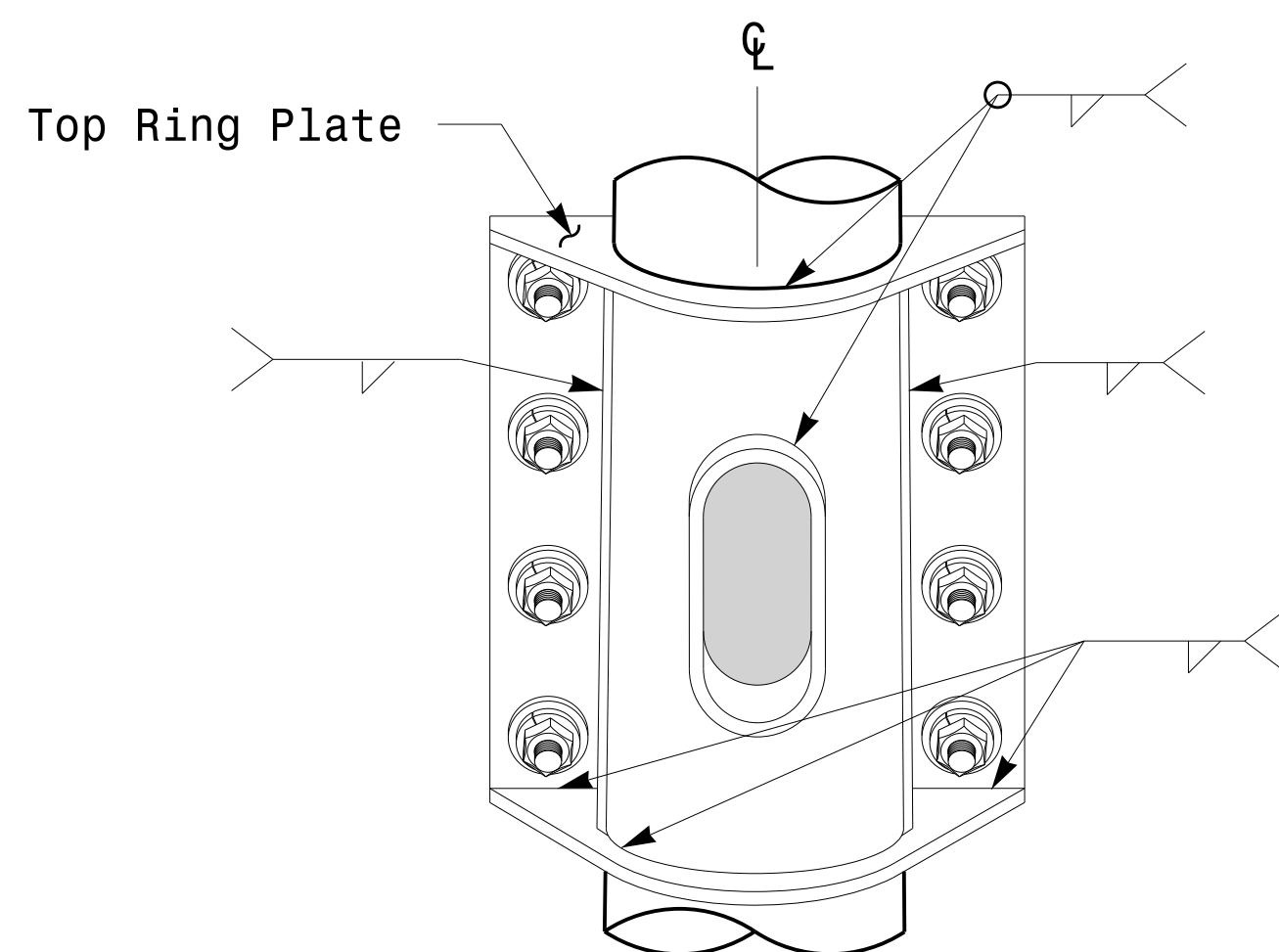
PROJECT ID. NO. SHEET NO.

R-2566BA Sig.M5



Notes:

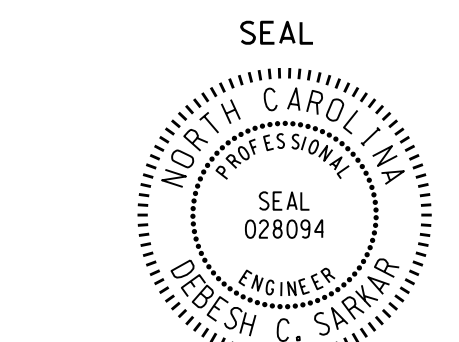
1. Provide a permanent means of identification above the mast arm to indicate proper attachment orientation of the mast arm.
2. Designer will determine the size of all structural components, plates, fasteners, and welds shown unless they are already specified.
3. Fabricator is responsible for providing appropriate holes at drainage points to drain galvanizing materials.
4. For minimum edge distance follow AISC Table J3.4 and J3.5. For nominal bolt hole size use Table J3.3.
5. Provide upper handhole as necessary when shaft extensions are required for luminaire arms or camera. For poles without luminaires/camera, wiring can be done through the top of pole.
6. Allowable range of flange tilt angle will vary from 0° to as required.



**Typical Fabrication Details
For
Mast Arm Connection To Pole**

PLAN DATE: OCTOBER 2017 DESIGNED BY: C.F. ANDREWS
PREPARED BY: N. BITTING REVIEWED BY: D.C. SARKAR

750 N. Greenfield Pkwy, Garner, NC 27529
SCALE: 0 NA NONE



Discussed by: *Dibesh C. Sarkar*
DATE: 10/11/2017

11-OCT-2017 08:35:13:SIGM515:Signal:Design:Section:Eastern:Region:Sheet:R-2566BA:2014:Sig.M5:Std. Connection Fabrication Detail:is:Mast Arm Poles.dgn

Fabrication Details – Mast Arm Connection