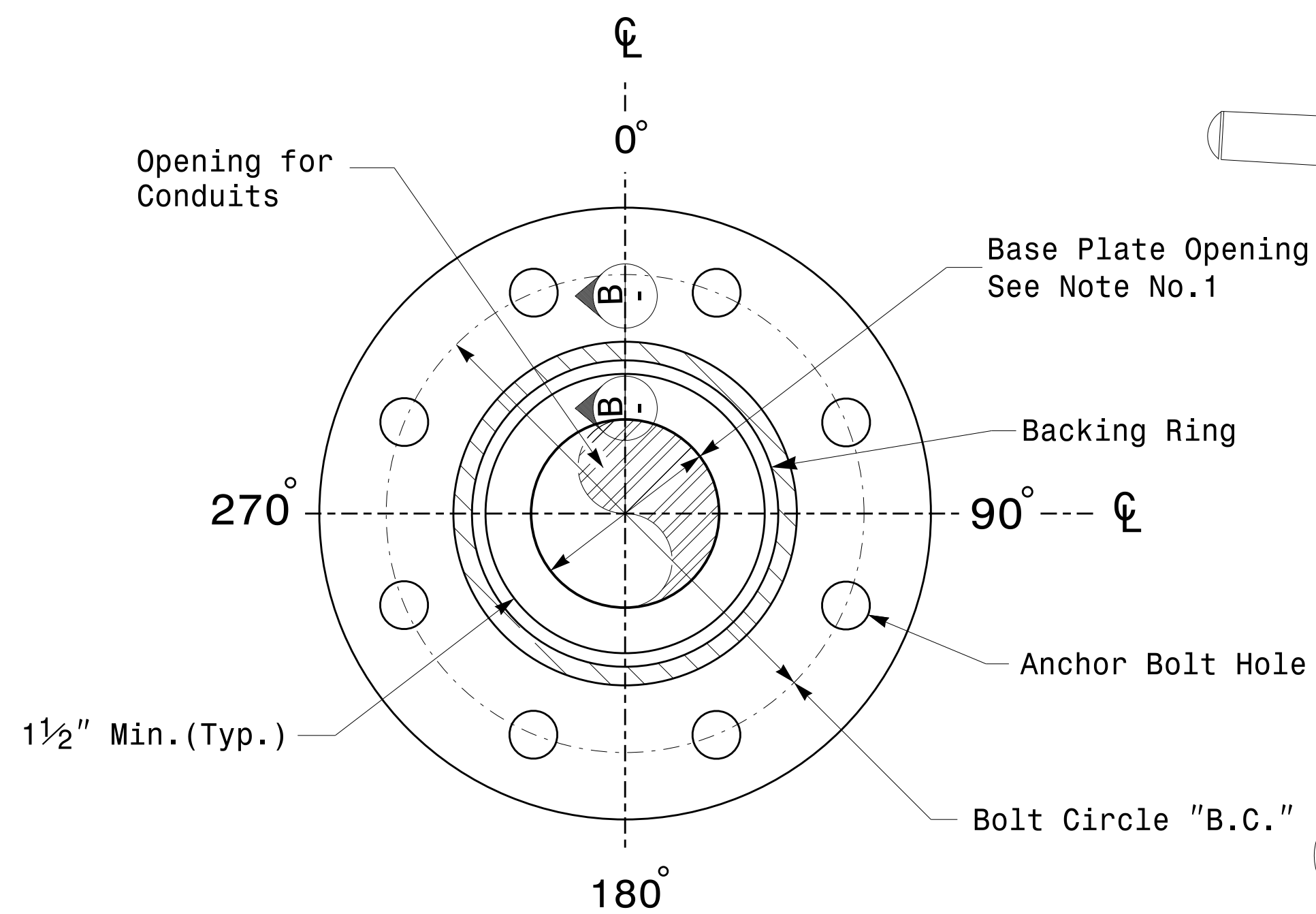
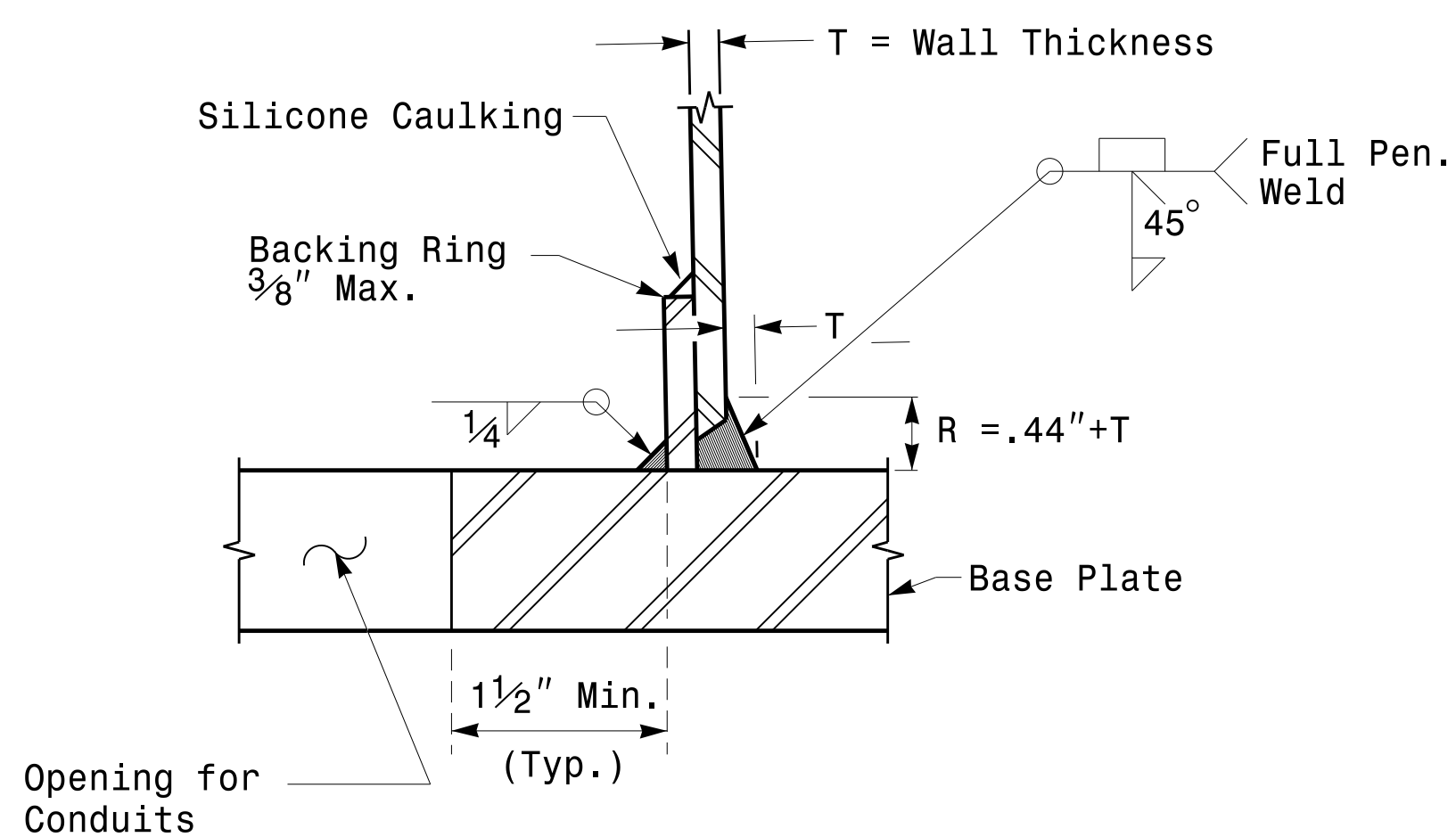


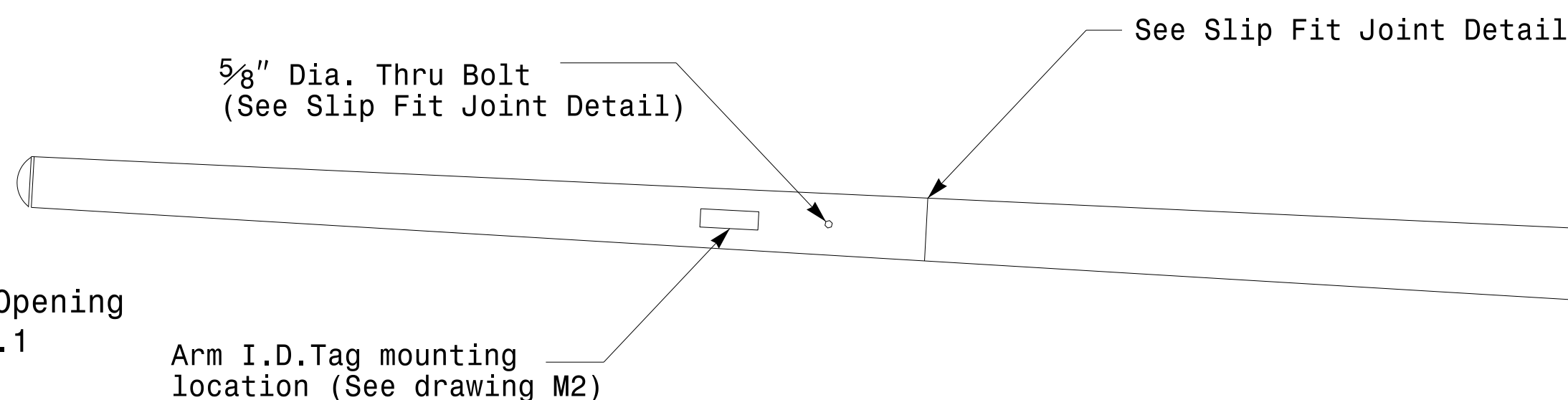
Note:  
 1. Opening in pole base plate shall be equal to pole base inside diameter minus 3 1/2" but shall not be less than 8 1/2".



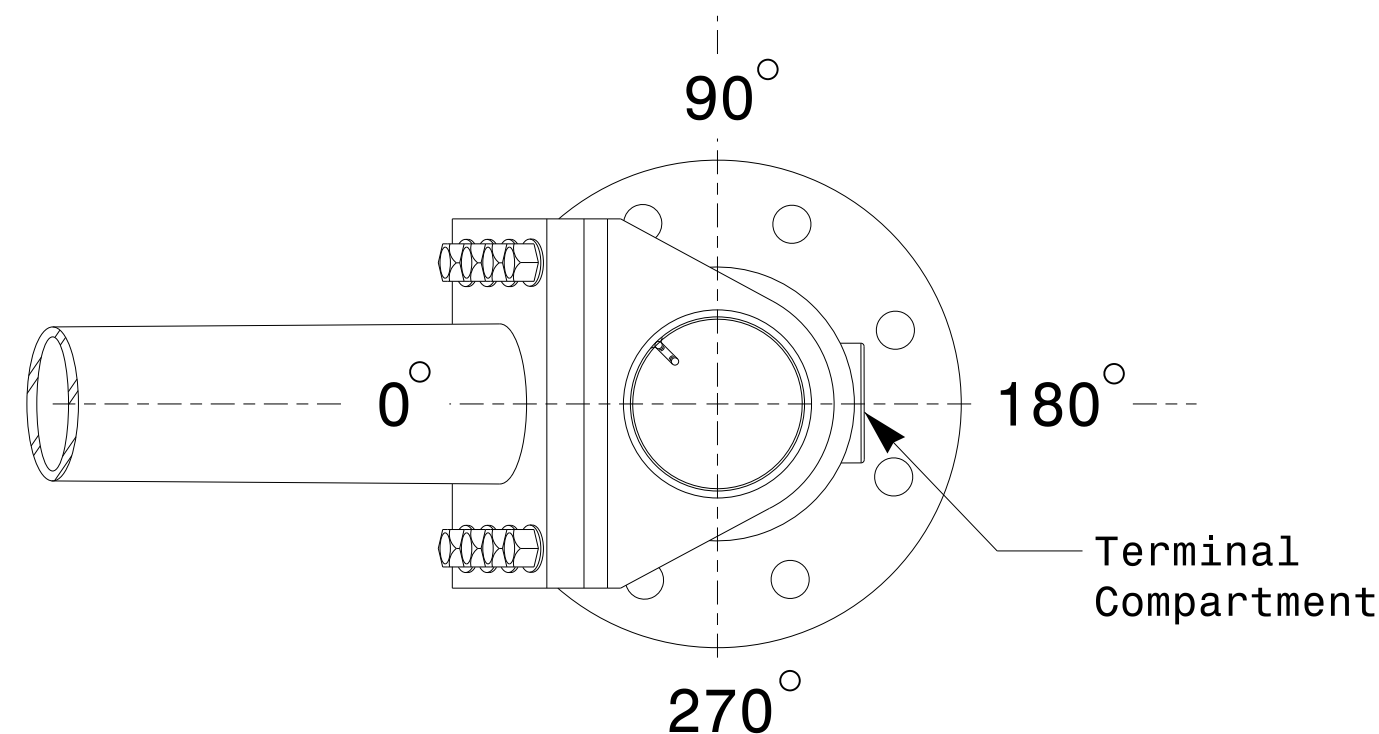
**Section A-A**  
**Pole Base Plate Details**



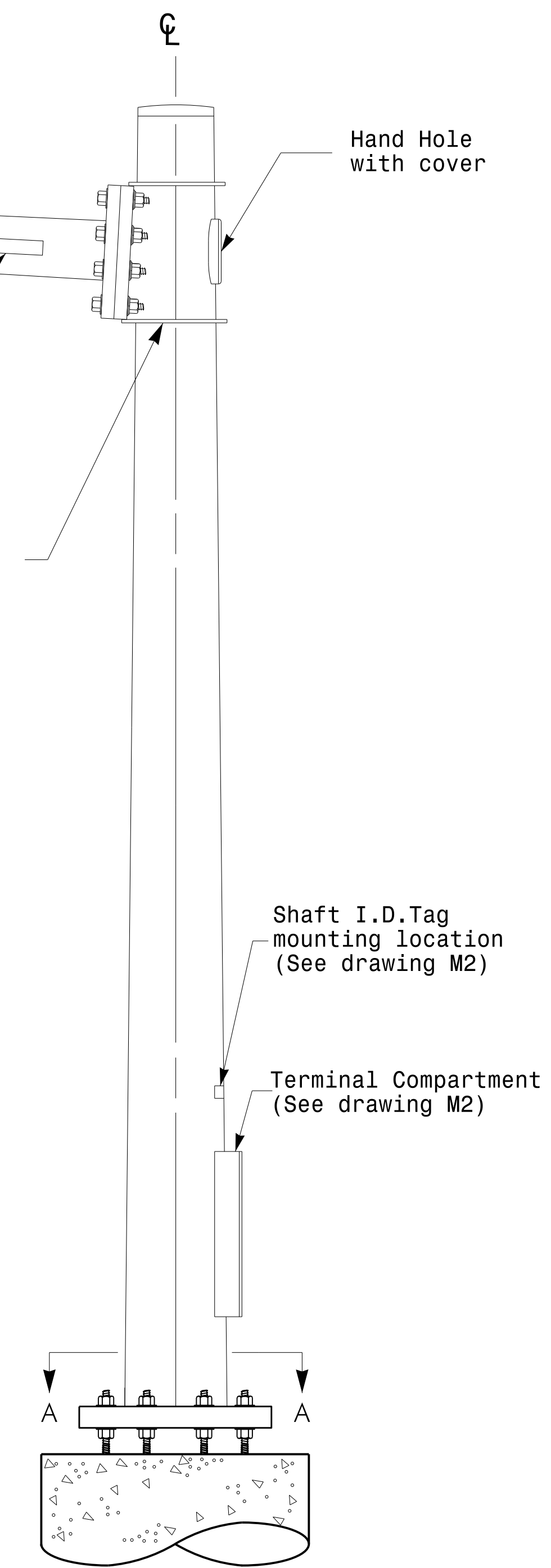
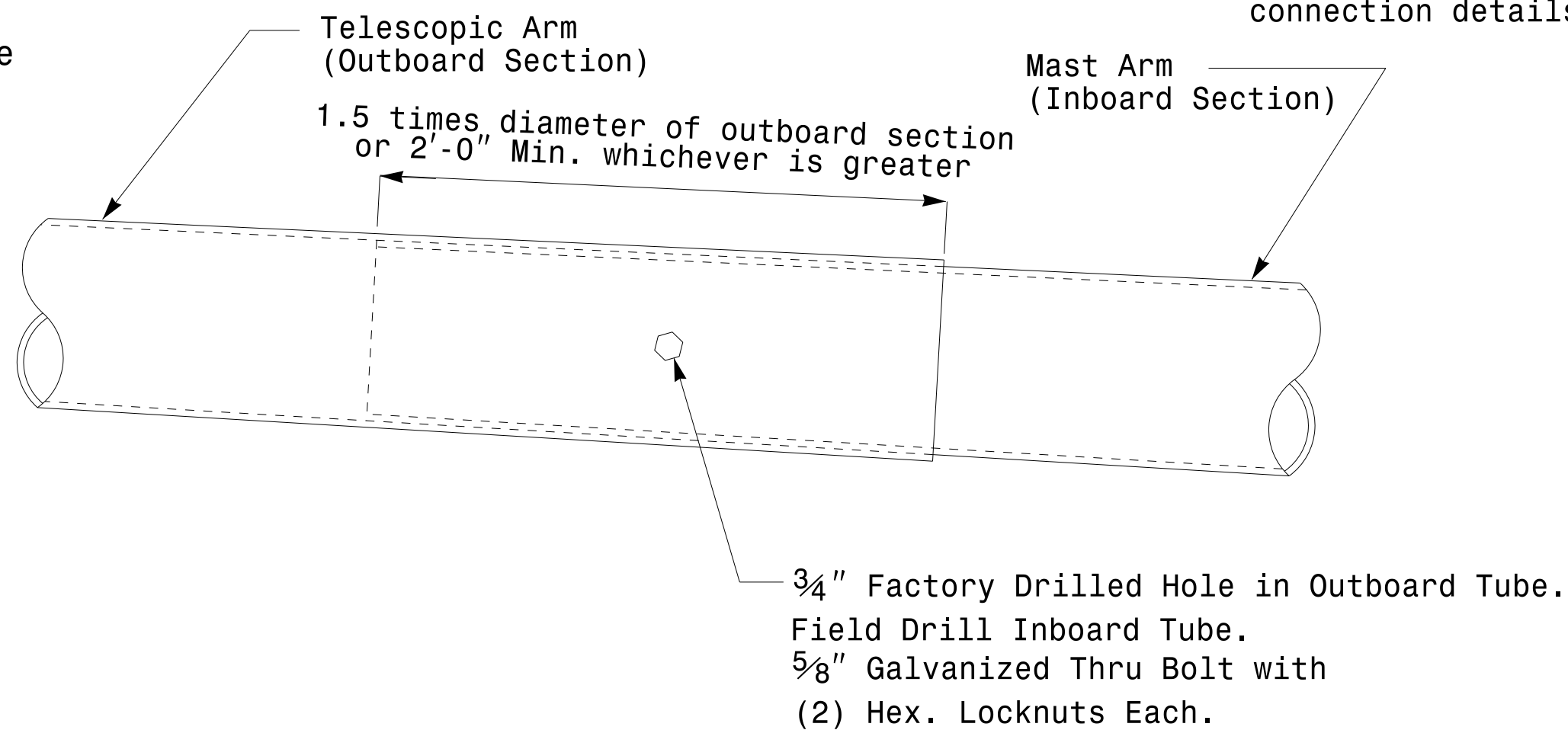
**Section B-B**  
 (Pole Attachment to Base Plate)  
**Full-Penetration Groove Weld Detail**



**Slip Fit Joint Detail for Mast Arm**



**Mast Arm Radial Orientation**



**Mast Arm Pole**

**Fabrication Details - Mast Arm Poles**

	<b>Typical Fabrication Details For Mast Arm Poles</b>		
	PLAN DATE: <b>OCTOBER 2017</b> PREPARED BY: <b>N. BITTING</b>	DESIGNED BY: <b>K.C. DURIGON</b> REVIEWED BY: <b>D.C. SARKAR</b>	
SCALE: <b>0 NA</b> NONE	REVISIONS: _____ INIT.: _____ DATE: _____	DocuSigned by: <b>Dinesh C. Sarkar</b> DATE: <b>10/11/2017</b>	DATE: _____

11-OCT-2017 08:33 136560115 Signal&Signal Design Section Eastern Region\\M4 Sheets\\2016\\2014\_Sig\_M4\_Std\_Fabrication\_Details-Mast\_Arm\_Poles.dgn