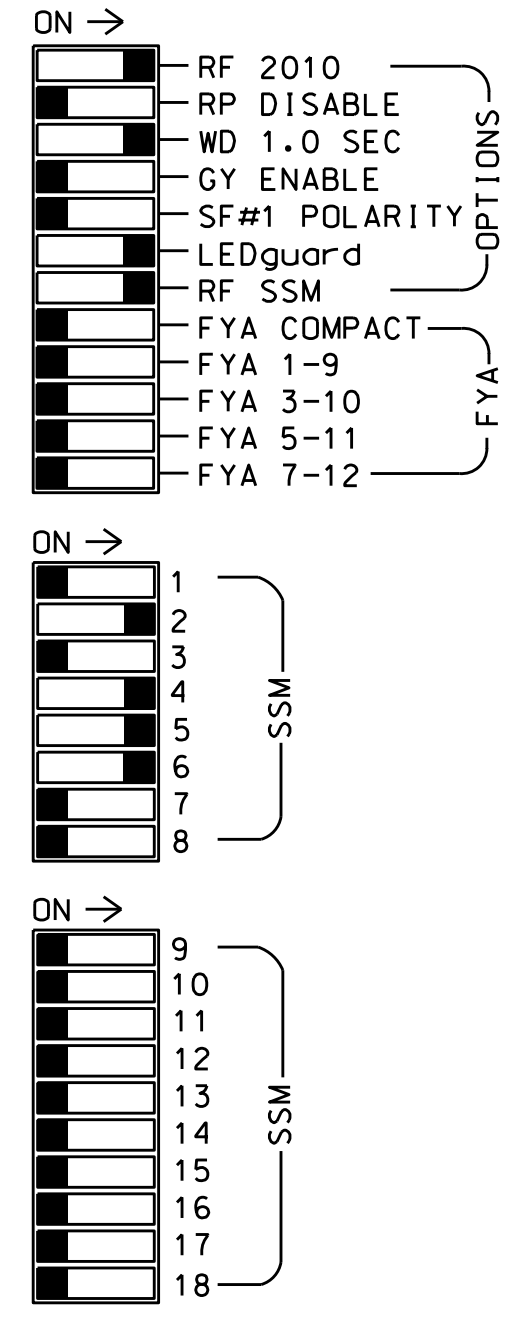
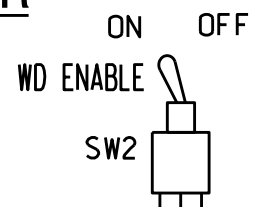
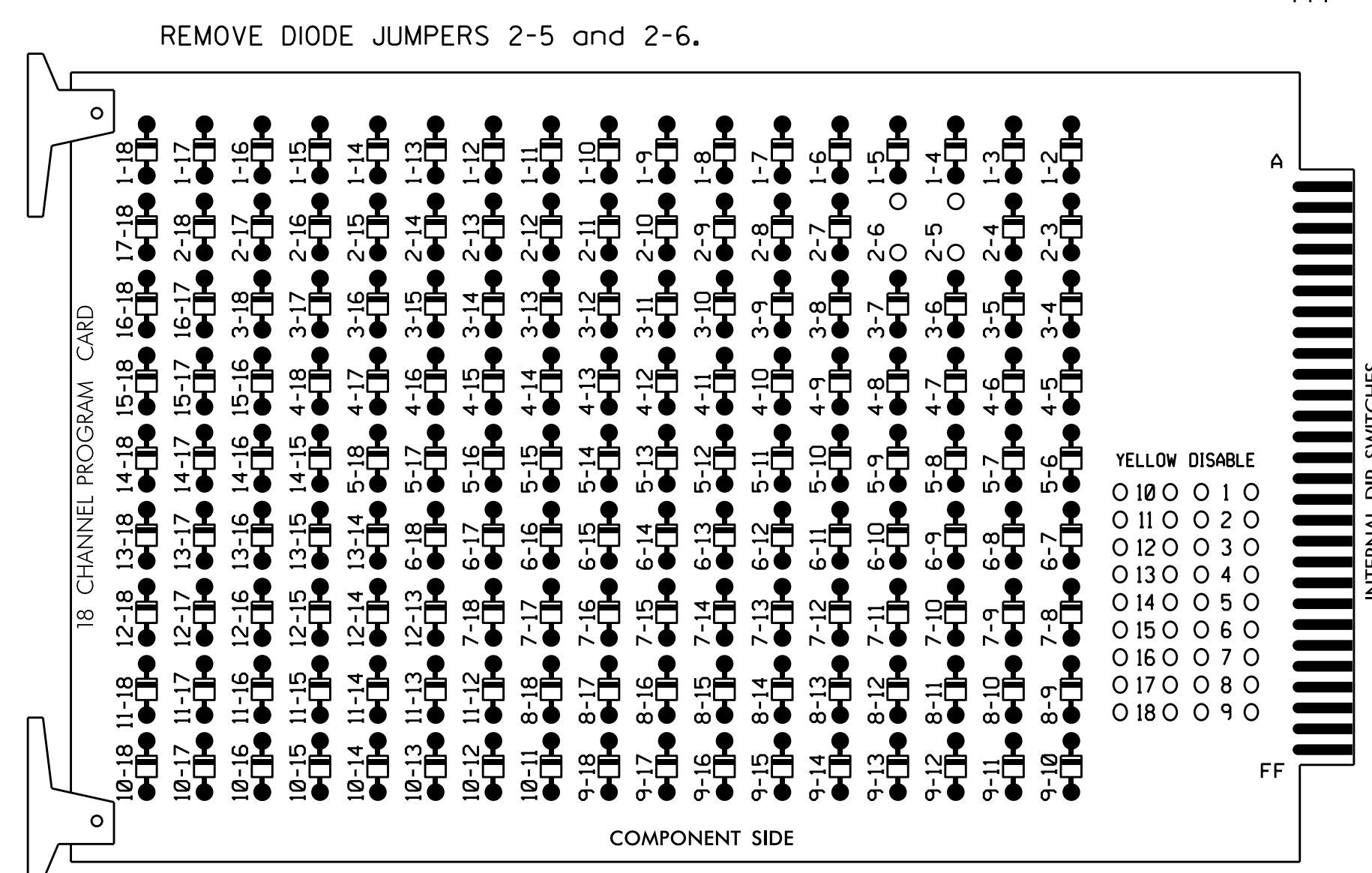


**EDI MODEL 2018ECL-NC CONFLICT MONITOR PROGRAMMING DETAIL**

(remove jumpers and set switches as shown)



■ = DENOTES POSITION OF SWITCH

**NOTES:**

1. Card is provided with all diode jumpers in place. Removal of any jumper allows its channels to run concurrently.
2. Ensure jumpers SEL2-SEL5 and SEL9 are present on the monitor board.
3. Ensure that Red Enable is active at all times during normal operation.
4. Connect serial cable from conflict monitor to comm. port 1 of 2070 controller. Ensure conflict monitor communicates with 2070.

REMOVE JUMPERS AS SHOWN

**NOTES**

1. To prevent "flash-conflict" problems, insert red flash program blocks for all unused vehicle load switches in the output file. The installer shall verify that signal heads flash in accordance with the Signal Plans.
2. Return controller to Factory Defaults before programming per this electrical detail.
3. Enable Simultaneous Gap-Out for all Phases.
4. Program phases 2 and 6 for Startup In Green.
5. Program phases 2 and 6 for Yellow Flash.

**EQUIPMENT INFORMATION**

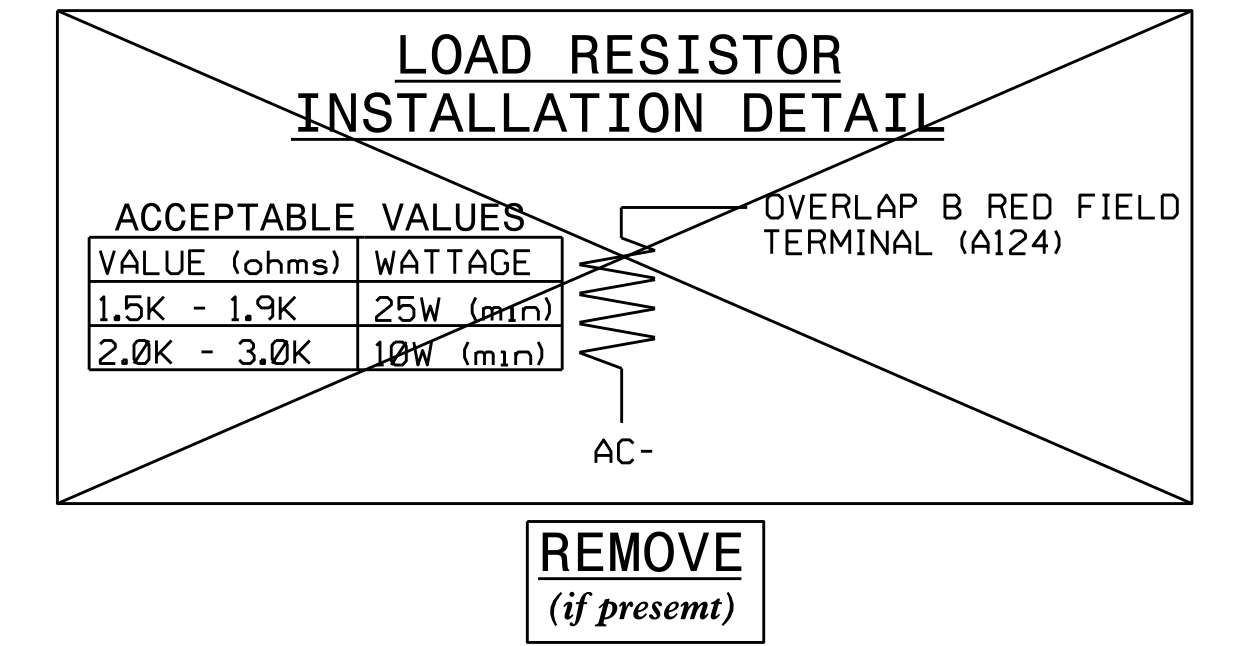
CONTROLLER.....2070  
 CABINET.....332 W/ AUX  
 SOFTWARE.....ECONOLITE OASIS  
 CABINET MOUNT.....BASE  
 OUTPUT FILE POSITIONS...18 WITH AUX. OUTPUT FILE  
 LOAD SWITCHES USED.....S2,S5,S7,S8  
 PHASES USED.....2,4,5,6  
 OVERLAP 'A'.....NOT USED  
 OVERLAP 'B'.....NOT USED  
 OVERLAP 'C'.....NOT USED  
 OVERLAP 'D'.....NOT USED

**SIGNAL HEAD HOOK-UP CHART**

| LOAD SWITCH NO. | S1 | S2    | S3    | S4 | S5    | S6    | S7 | S8  | S9    | S10   | S11 | S12   | AUX S1 | AUX S2 | AUX S3 | AUX S4 | AUX S5 | AUX S6 |
|-----------------|----|-------|-------|----|-------|-------|----|-----|-------|-------|-----|-------|--------|--------|--------|--------|--------|--------|
| CMU CHANNEL NO. | 1  | 2     | 13    | 3  | 4     | 14    | 5  | 6   | 15    | 7     | 8   | 16    | 9      | 10     | 17     | 11     | 12     | 18     |
| PHASE           | 1  | 2     | 2 PED | 3  | 4     | 4 PED | 5  | 6   | 6 PED | 7     | 8   | 8 PED | OLA    | OLB    | SPARE  | OLC    | OLD    | SPARE  |
| SIGNAL HEAD NO. | NU | 21,22 | NU    | NU | 41,42 | 62    | NU | 42  | 51    | 61,62 | NU  | NU    | NU     | NU     | NU     | NU     | NU     | NU     |
| RED             |    | 128   |       |    | 101   |       |    |     |       | 134   |     |       |        |        |        |        |        |        |
| YELLOW          |    | 129   |       |    | 102   |       |    |     |       | 135   |     |       |        |        |        |        |        |        |
| GREEN           |    | 130   |       |    | 103   |       |    |     |       | 136   |     |       |        |        |        |        |        |        |
| RED ARROW       |    |       |       |    |       |       |    |     |       | 131   |     |       |        |        |        |        |        |        |
| YELLOW ARROW    |    |       |       |    |       | 102   |    | 132 | 132   |       |     |       |        |        |        |        |        |        |
| GREEN ARROW     |    |       |       |    |       | 103   |    | 133 | 133   |       |     |       |        |        |        |        |        |        |

NU = Not Used

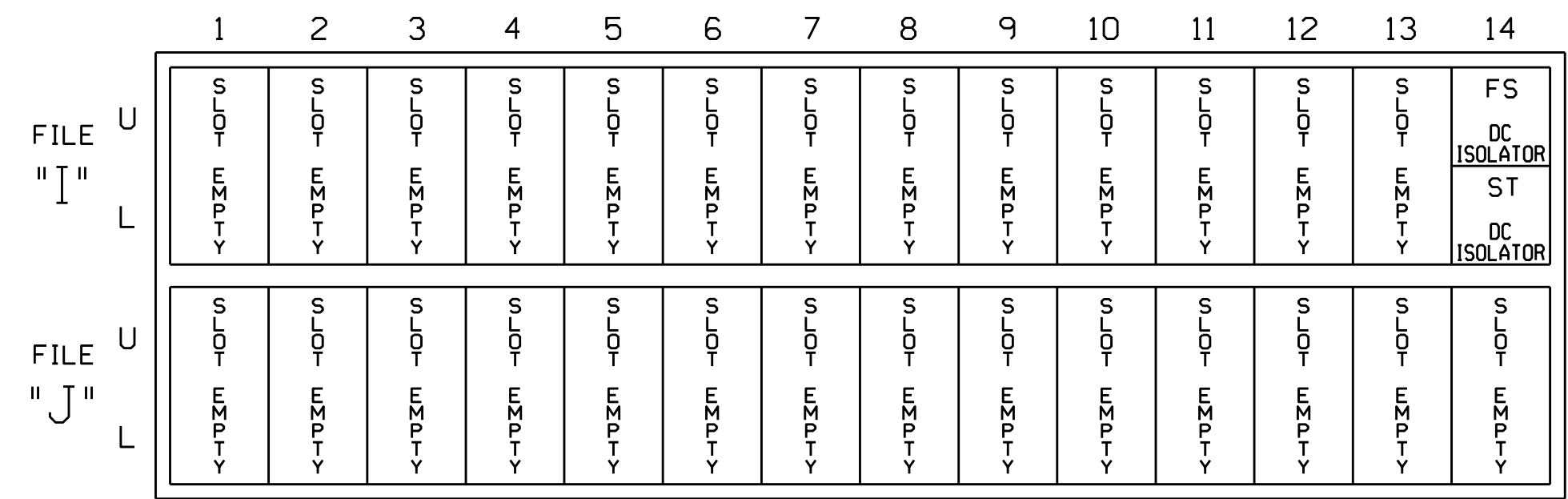
**LOAD RESISTOR INSTALLATION DETAIL**



REMOVE (if present)

**INPUT FILE POSITION LAYOUT**

(front view)



EX.: 1A, 2A, ETC. = LOOP NO.'S

FS = FLASH SENSE  
 ST = STOP TIME

**SPECIAL DETECTOR NOTE**

For all loops install a video detection system for vehicle detection. Perform installation according to manufacturer's directions and NCDOT engineer-approved mounting locations to accomplish the detection schemes shown on the Signal Design Plans.

THIS ELECTRICAL DETAIL IS FOR THE SIGNAL DESIGN: 11-1054T5  
 DESIGNED: April 2019  
 SEALED: 05-16-19  
 REVISED: N/A

Electrical Detail - Temp. Design - Phase IV

Prepared In the Offices of:  
  
 750 N. Greenfield Pkwy, Garner, NC 27529

NC 105 at SR 1112 (Broadstone Rd.)  
 Division 11 Watauga County Boone  
 PLAN DATE: May 2019 REVIEWED BY:  
 PREPARED BY: James Peterson REVIEWED BY:  
 REVISIONS INIT. DATE  
 DocuSigned by: Ryan W. Hough 5/30/2019  
 430330FAA268453 DATE

DOCUMENT NOT CONSIDERED FINAL UNLESS ALL SIGNATURES COMPLETED  
  
 SEAL  
 RYAN W. HOUGH  
 ENGINEER  
 STATE OF NORTH CAROLINA  
 License No. 036833  
 SIG. INVENTORY NO. 11-1054T5

3D-MAY-2019 09:56  
 x:\11054T5\enr\elec\wxc.dgn  
 J.peterson