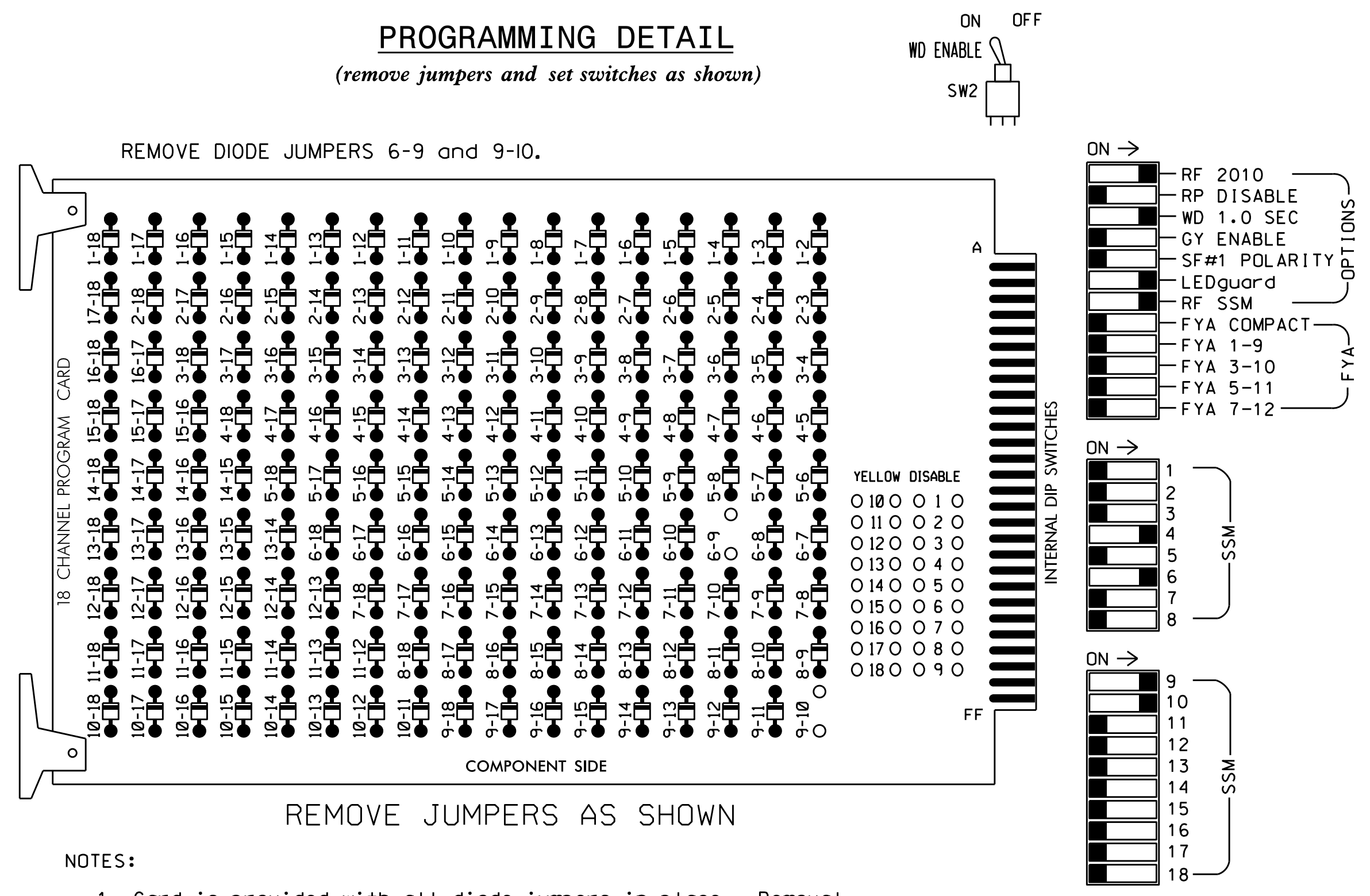


**PROGRAMMING DETAIL**  
(remove jumpers and set switches as shown)



**NOTES:**

- Card is provided with all diode jumpers in place. Removal of any jumper allows its channels to run concurrently.
- Ensure jumpers SEL2-SEL5 and SEL9 are present on the monitor board.
- Ensure that Red Enable is active at all times during normal operation.
- Connect serial cable from conflict monitor to comm. port 1 of 2070 controller. Ensure conflict monitor communicates with 2070.

**NOTES**

- To prevent "flash-conflict" problems, insert red flash program blocks for all unused vehicle load switches in the output file. The installer shall verify that signal heads flash in accordance with the Signal Plans.
- Enable Simultaneous Gap-Out for all Phases.
- Program phases 2 and 6 for Startup In Green.
- Program phase 6 for Yellow Flash.

**EQUIPMENT INFORMATION**

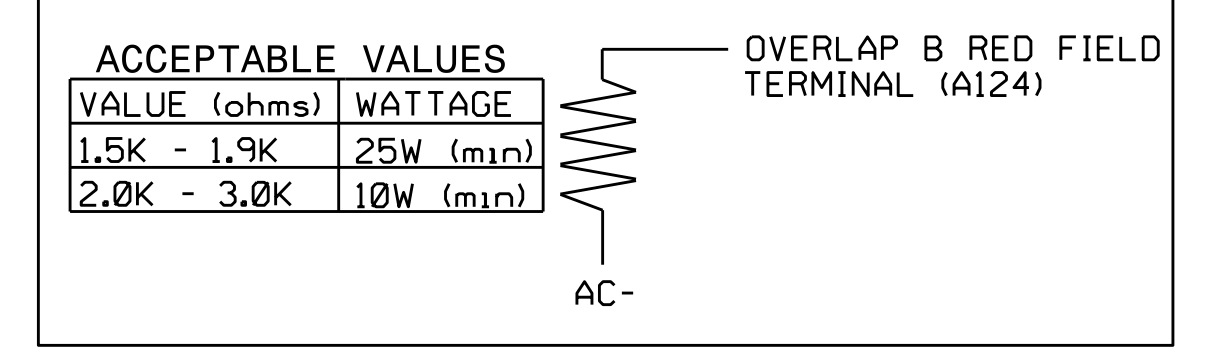
CONTROLLER.....2070  
CABINET .....332  
SOFTWARE .....ECONOLITE OASIS  
CABINET MOUNT.....BASE  
OUTPUT FILE POSITIONS..18 (12-STD, 6-AUX)  
LOAD SWITCHES USED.....S5,S8,AUX S1,AUX S2  
PHASES USED.....2,3,4,5,6  
OVERLAP A.....2+3  
OVERLAP B.....3+5  
OVERLAP C.....NOT USED  
OVERLAP B.....NOT USED

**SIGNAL HEAD HOOK-UP CHART**

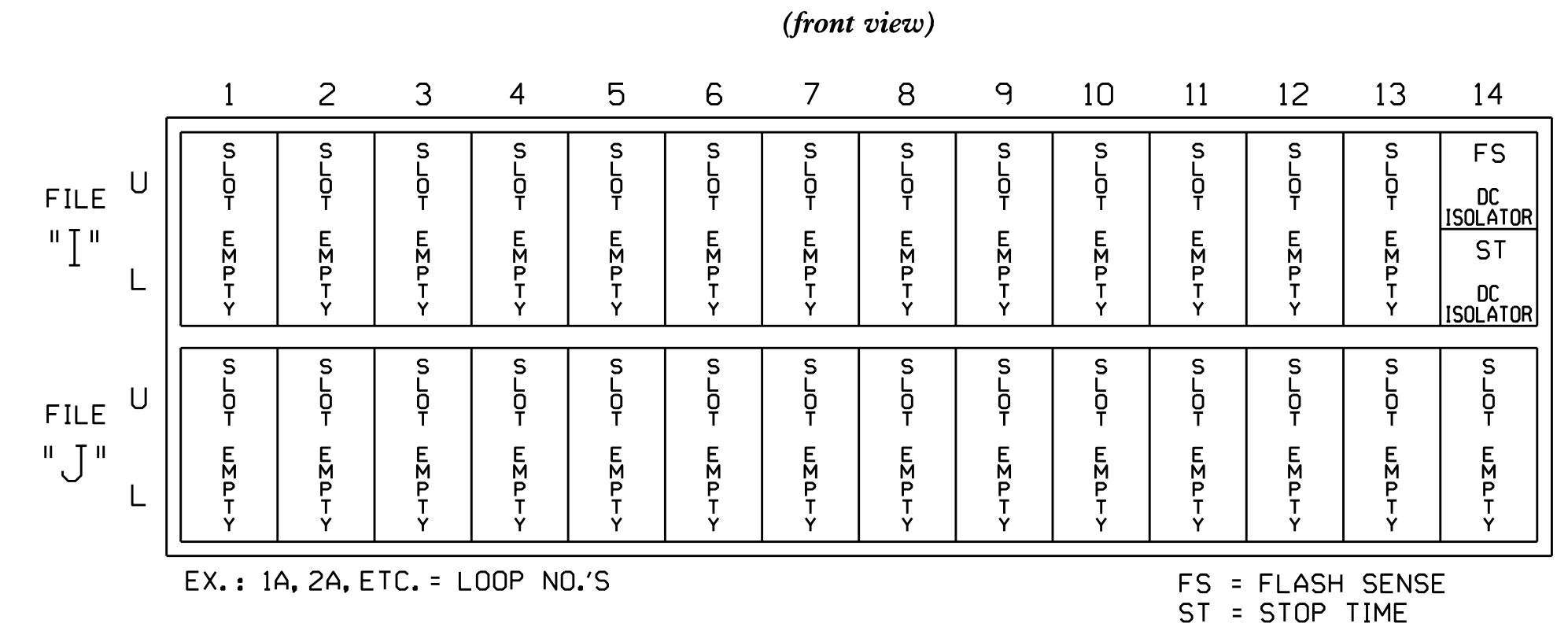
LOAD SWITCH NO.	S1	S2	S3	S4	S5	S6	S7	S8	S9	S10	S11	S12	AUX S1	AUX S2	AUX S3	AUX S4	AUX S5	AUX S6
CMU CHANNEL NO.	1	2	13	3	4	14	5	6	15	7	8	16	9	10	17	11	12	18
PHASE	1	2	2 PED	3	4	4 PED	5	6	6 PED	7	8	8 PED	OLA	OLB	SPARE	OLC	OLD	SPARE
SIGNAL HEAD NO.	NU	NC	NU	NC	41,42 43	NU	NC	61,62	NU	NU	NU	NU	21,22	21	NU	NU	NU	NU
RED					101			134					A121	*				
YELLOW					102			135					A122					
GREEN					103			136					A123					
RED ARROW																		
YELLOW ARROW														A125				
GREEN ARROW															A126			

NU = Not Used  
NC = No Connection  
\* Denotes install load resistor. See load resistor installation detail this sheet.

**LOAD RESISTOR INSTALLATION DETAIL**



**INPUT FILE POSITION LAYOUT**



**SPECIAL DETECTOR NOTE**

For all loops install a video detection system for vehicle detection. Perform installation according to manufacturer's directions and NCDOT engineer-approved mounting locations to accomplish the detection schemes shown on the Signal Design Plans.

**OVERLAP PROGRAMMING DETAIL**

(program controller as shown below)

FROM MAIN MENU PRESS '8' (OVERLAPS), THEN '1' (VEHICLE OVERLAP SETTINGS).

PAGE 1: VEHICLE OVERLAP 'A' SETTINGS  
PHASE: |12345678910111213141516  
VEH OVL PARENTS: | XX  
VEH OVL NOT VEH: |  
VEH OVL NOT PED: |  
VEH OVL GRN EXT: |  
STARTUP COLOR: - RED - YELLOW - GREEN  
FLASH COLORS: - RED - YELLOW - GREEN  
SELECT VEHICLE OVERLAP OPTIONS: (Y/N)  
FLASH YELLOW IN CONTROLLER FLASH?...Y  
GREEN EXTENSION (0-255 SEC).....0  
YELLOW CLEAR (0=PARENT,3-25.5 SEC)...0.0  
RED CLEAR (0=PARENT,0.1-25.5 SEC)...0.0  
OUTPUT AS PHASE # (0=NONE, 1-16)....0

PRESS '+'

PAGE 1: VEHICLE OVERLAP 'B' SETTINGS  
PHASE: |12345678910111213141516  
VEH OVL PARENTS: | X X  
VEH OVL NOT VEH: |  
VEH OVL NOT PED: |  
VEH OVL GRN EXT: |  
STARTUP COLOR: - RED - YELLOW - GREEN  
FLASH COLORS: - RED - YELLOW - GREEN  
SELECT VEHICLE OVERLAP OPTIONS: (Y/N)  
FLASH YELLOW IN CONTROLLER FLASH?...N  
GREEN EXTENSION (0-255 SEC).....0  
YELLOW CLEAR (0=PARENT,3-25.5 SEC)...0.0  
RED CLEAR (0=PARENT,0.1-25.5 SEC)...0.0  
OUTPUT AS PHASE # (0=NONE, 1-16)....0

OVERLAP PROGRAMMING COMPLETE

THIS ELECTRICAL DETAIL IS FOR THE SIGNAL DESIGN: 11-1054T3  
DESIGNED: April 2019  
SEALED: 05-16-19  
REVISED: N/A

Electrical Detail - Temp. Design - Phase II

Electrical and Programming Details For:

Prepared In the Offices of:

750 N. Greenfield Pkwy, Garner, NC 27529

NC 105 at SR 1112 (Broadstone Rd.)

Division 11 Watauga County Boone

PLAN DATE: May 2019 REVIEWED BY:

PREPARED BY: James Peterson REVIEWED BY:

REVISIONS INIT. DATE

DocuSigned by: Ryan W. Hough 6/4/2019

SEAL: RYAN W. HOUGH ENGINEER 036833

DOCUMENT NOT CONSIDERED FINAL UNLESS ALL SIGNATURES COMPLETED

SIG. INVENTORY NO. 11-1054T3

04-1016-2019\_09:21  
\*11064.cad, elec\_20190530.dgn  
J.Peterson