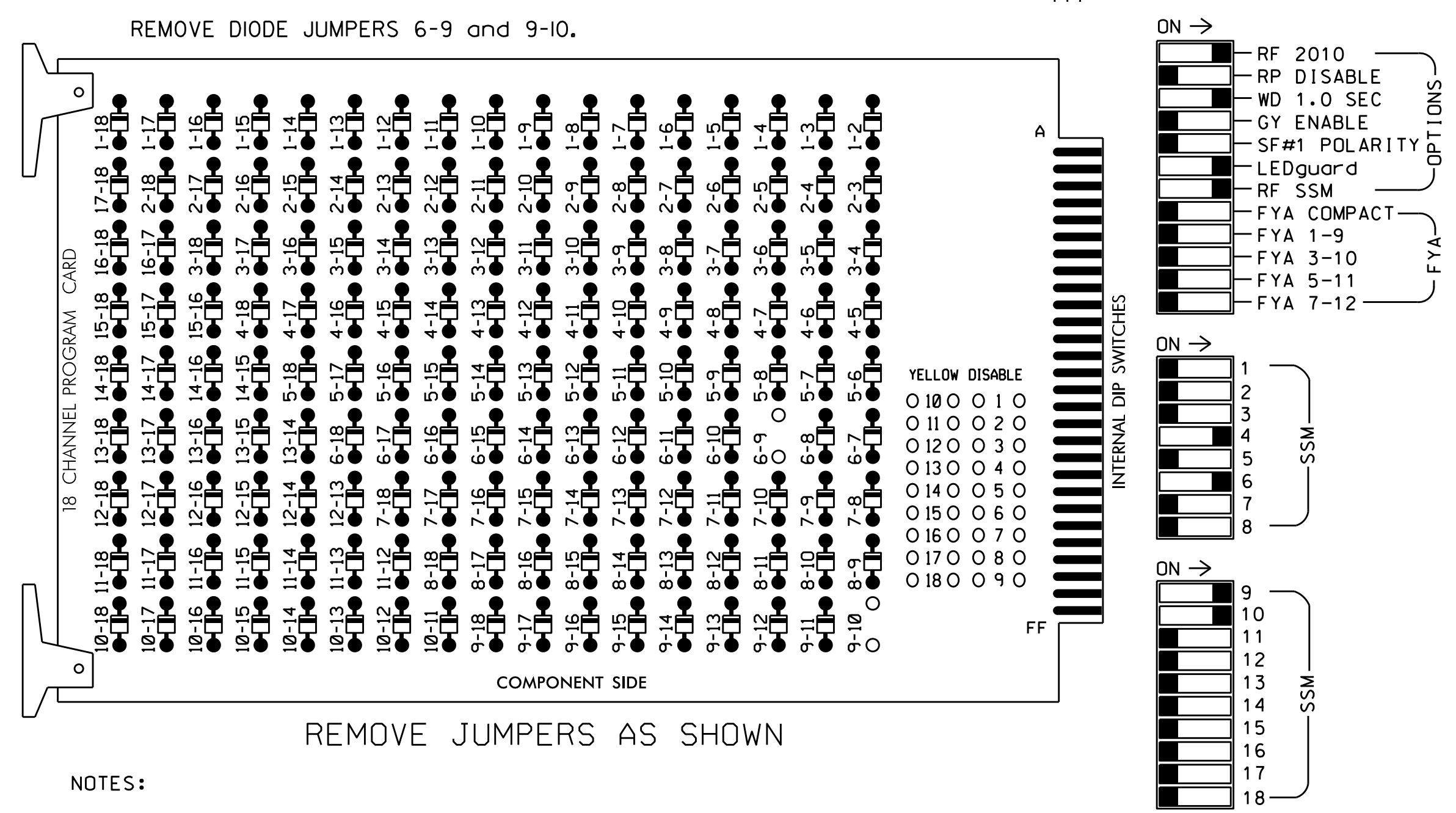


**EDI MODEL 2018ECL-NC CONFLICT MONITOR
PROGRAMMING DETAIL**

(remove jumpers and set switches as shown)



- NOTES:
- Card is provided with all diode jumpers in place. Removal of any jumper allows its channels to run concurrently.
 - Ensure jumpers SEL2-SEL5 and SEL9 are present on the monitor board.
 - Ensure that Red Enable is active at all times during normal operation.
 - Connect serial cable from conflict monitor to comm. port 1 of 2070 controller. Ensure conflict monitor communicates with 2070.

NOTES

- To prevent "flash-conflict" problems, insert red flash program blocks for all unused vehicle load switches in the output file. The installer shall verify that signal heads flash in accordance with the Signal Plans.
- Enable Simultaneous Gap-Out for all Phases.
- Program phases 2 and 6 for Startup In Green.
- Program phase 6 for Yellow Flash.

EQUIPMENT INFORMATION

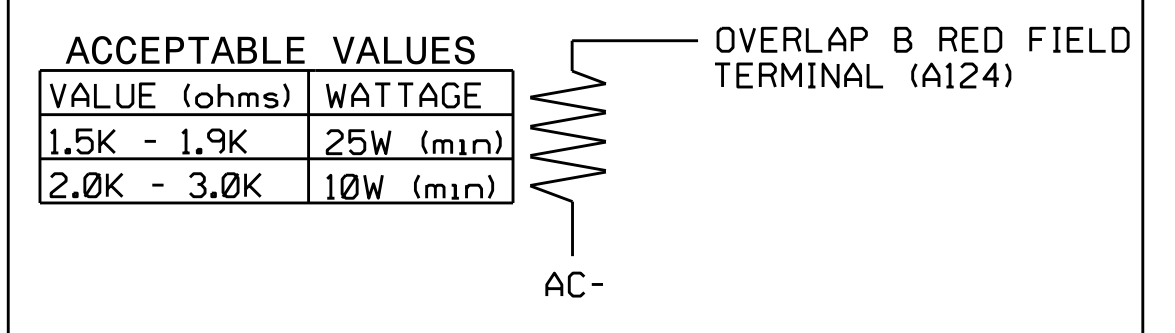
CONTROLLER.....2070
CABINET332
SOFTWAREECONOLITE OASIS
CABINET MOUNT.....BASE
OUTPUT FILE POSITIONS..18 (12-STD, 6-AUX)
LOAD SWITCHES USED.....S5,S8,AUX S1,AUX S2
PHASES USED.....2,3,4,5,6
OVERLAP A.....2+3
OVERLAP B.....3+5
OVERLAP C.....NOT USED
OVERLAP B.....NOT USED

SIGNAL HEAD HOOK-UP CHART

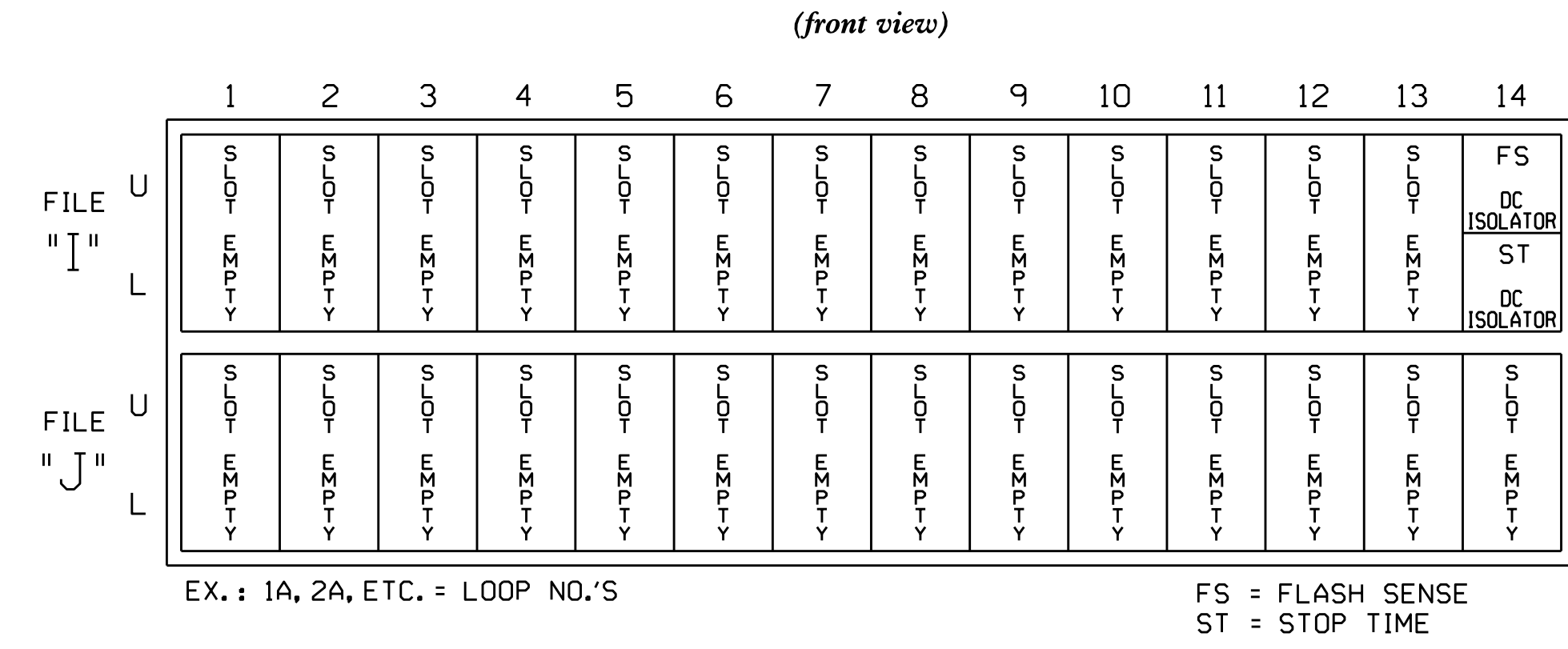
LOAD SWITCH NO.	S1	S2	S3	S4	S5	S6	S7	S8	S9	S10	S11	S12	AUX S1	AUX S2	AUX S3	AUX S4	AUX S5	AUX S6
CMU CHANNEL NO.	1	2	13	3	4	14	5	6	15	7	8	16	9	10	17	11	12	18
PHASE	1	2	2 PED	3	4	4 PED	5	6	6 PED	7	8	8 PED	OLA	OLB	SPARE	OLC	OLD	SPARE
SIGNAL HEAD NO.	NU	NC	NU	NC	41,42	NU	NC	61,62	NU	NU	NU	NU	21,22	21,42	NU	NU	NU	NU
RED					101			134					A121	*				
YELLOW					102			135					A122					
GREEN					103			136					A123					
RED ARROW																		
YELLOW ARROW																		A125
GREEN ARROW																		A126

NU = Not Used
NC = No Connection
* Denotes install load resistor. See load resistor installation detail this sheet.

**LOAD RESISTOR
INSTALLATION DETAIL**



INPUT FILE POSITION LAYOUT



SPECIAL DETECTOR NOTE

For all loops install a video detection system for vehicle detection. Perform installation according to manufacturer's directions and NCDOT engineer-approved mounting locations to accomplish the detection schemes shown on the Signal Design Plans.

OVERLAP PROGRAMMING DETAIL

(program controller as shown below)

FROM MAIN MENU PRESS '8' (OVERLAPS), THEN '1' (VEHICLE OVERLAP SETTINGS).

PAGE 1: VEHICLE OVERLAP 'A' SETTINGS
PHASE: :12345678910111213141516
VEH OVL PARENTS: : XX
VEH OVL NOT VEH: :
VEH OVL NOT PED: :
VEH OVL GRN EXT: :
STARTUP COLOR: - RED - YELLOW - GREEN
FLASH COLORS: - RED - YELLOW - GREEN
SELECT VEHICLE OVERLAP OPTIONS: (Y/N)
FLASH YELLOW IN CONTROLLER FLASH?...Y
GREEN EXTENSION (0-255 SEC).....0
YELLOW CLEAR (0=PARENT,3-25.5 SEC)..0.0
RED CLEAR (0=PARENT,0.1-25.5 SEC)...0.0
OUTPUT AS PHASE # (0=NONE, 1-16)....0

PRESS '+'

PAGE 1: VEHICLE OVERLAP 'B' SETTINGS
PHASE: :12345678910111213141516
VEH OVL PARENTS: : X X
VEH OVL NOT VEH: :
VEH OVL NOT PED: :
VEH OVL GRN EXT: :
STARTUP COLOR: - RED - YELLOW - GREEN
FLASH COLORS: - RED - YELLOW - GREEN
SELECT VEHICLE OVERLAP OPTIONS: (Y/N)
FLASH YELLOW IN CONTROLLER FLASH?...N
GREEN EXTENSION (0-255 SEC).....0
YELLOW CLEAR (0=PARENT,3-25.5 SEC)..0.0
RED CLEAR (0=PARENT,0.1-25.5 SEC)...0.0
OUTPUT AS PHASE # (0=NONE, 1-16)....0

OVERLAP PROGRAMMING COMPLETE

THIS ELECTRICAL DETAIL IS FOR THE SIGNAL DESIGN: 11-1054T2
DESIGNED: April 2019
SEALED: 05-16-19
REVISED: N/A

Electrical Detail - Temp. Design - Phase IB

Prepared In the Offices of:
WATAUGA COUNTY DEPARTMENT OF TRANSPORTATION & SIGNAL MANAGEMENT

750 N. Greenfield Pkwy, Garner, NC 27529

NC 105 at SR 1112 (Broadstone Rd.)

Division 11 Watauga County Boone

PLAN DATE: May 2019 REVIEWED BY:
PREPARED BY: James Peterson REVIEWED BY:

REVISIONS INIT. DATE

DocuSigned by: Ryan W. Hough 5/30/2019

30-MAY-2019 09:54
x:\11054T2\enr\elec\wax.dgn
J Peterson

DOCUMENT NOT CONSIDERED FINAL UNLESS ALL SIGNATURES COMPLETED

SEAL
RYAN W. HOUGH
ENGINEER
036833

SIG. INVENTORY NO. 11-1054T2