
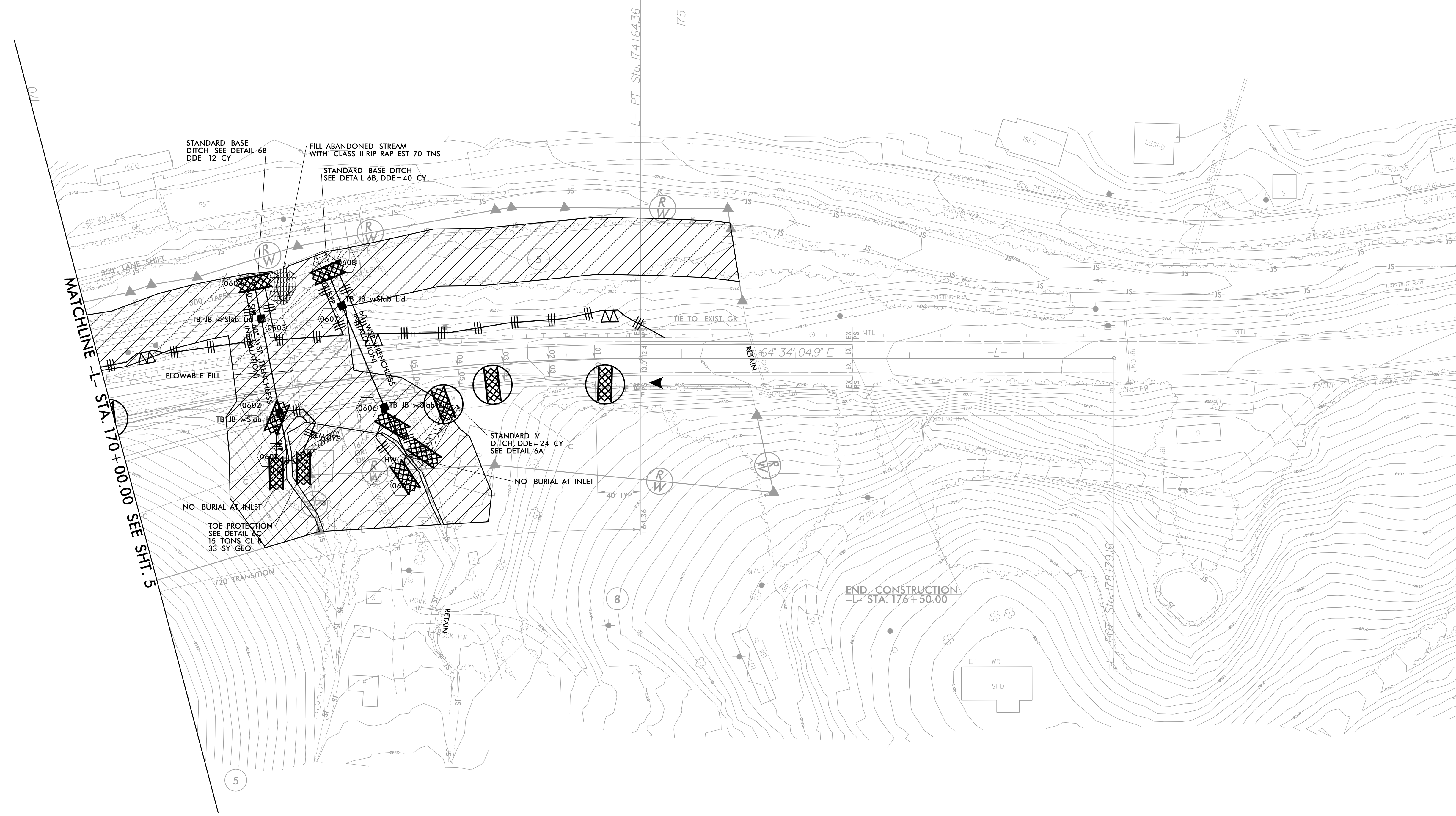
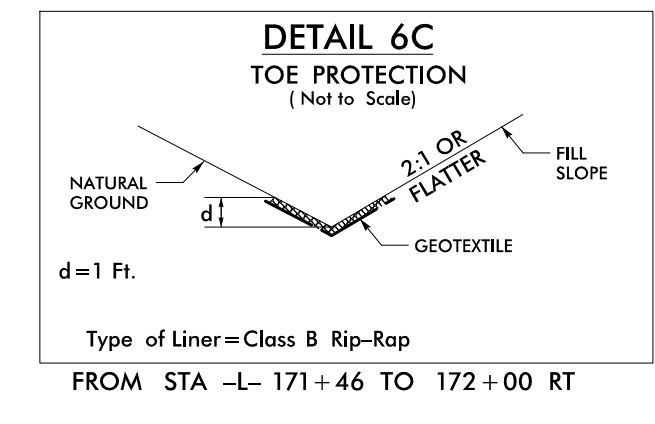
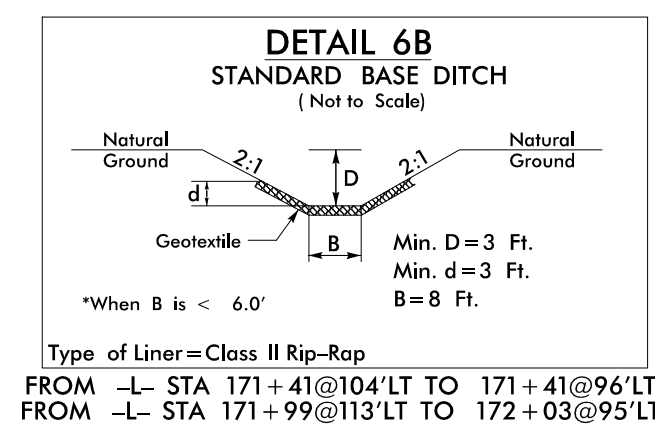
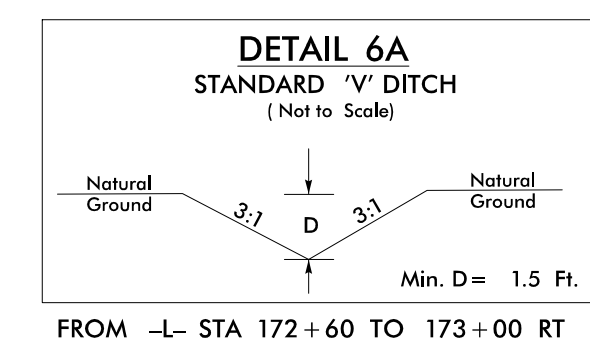


PROJECT REFERENCE NO. R-2566BA	SHEET NO. EC-06/CONST.6
RW SHEET NO.	
ROADWAY DESIGN ENGINEER	HYDRAULICS ENGINEER
 <b>TGS ENGINEERS</b> 804 C N. LAFAYETTE ST SHELBY, NC 28150 PH (704) 476-0003 CORP. LICENSE NO.: C-0275	

NAD 832007

END\_NCDOT TIP PROJECT R-2566BA  
 -L- STA. 174+64.36



-L-  
 PI Sta 171+65.43  
 $\Delta = 19' 12' 46.1''$  (RT)  
 $D = 3' 10' 59.2''$   
 $L = 603.59'$   
 $T = 304.65'$   
 $R = 1,800.00'$   
 $SE = 0.06$  FT/FT  
 $RO =$  SEE PLANS

CLEARING AND GRUBBING  
 EROSION CONTROL FOR  
 CONSTRUCTION SHEET 06

NOTE:  
 PLACE TEMPORARY ROCK SEDIMENT DAMS TYPE - B  
 AND TEMPORARY ROCK SILT CHECKS TYPE - A AT  
 DRAINAGE OUTLETS.



ENVIRONMENTALLY SENSITIVE AREA  
 SEE PROJECT SPECIAL PROVISIONS