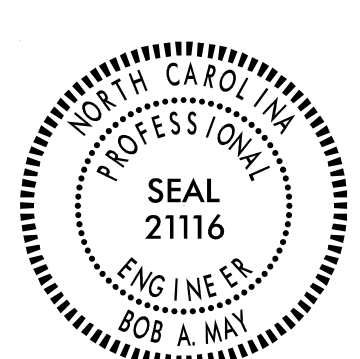
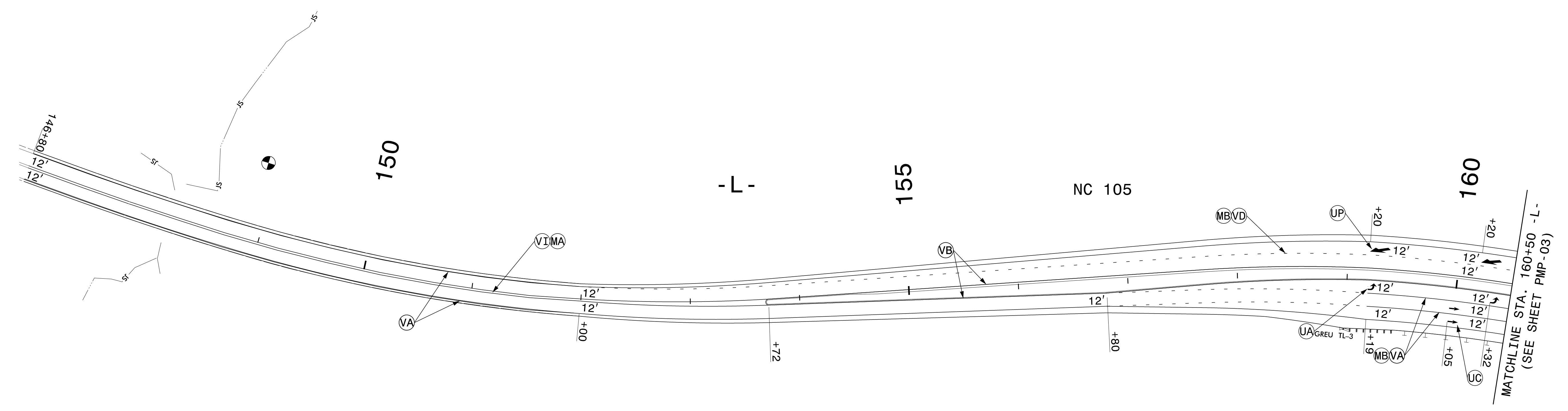
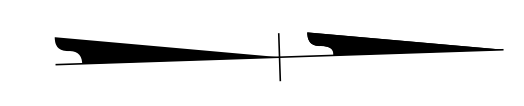
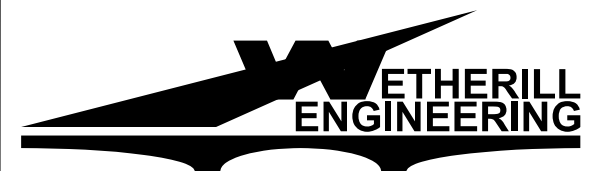


TIP NO. R-2566BA	SHEET NO. PMP-02
APPROVED: <i>Bob A. May</i>	
DATE: 9/23/2021	
	
DOCUMENT NOT CONSIDERED FINAL UNLESS ALL SIGNATURES COMPLETED	



9/23/2021
 P:\2018\18103\101_R-2566BA_Traffic\Signing and Delineation\Pavement Markings\Sheets\R-2566BA_PMP_02.dgn
 User: AHayes



1223 Jones Franklin Rd.
 Raleigh, N.C. 27606
 License No. F-0377
 Bus: 919 851 8077
 Fax: 919 851 8107

TRANSPORTATION PLANNING/DESIGN - BRIDGE/STRUCTURE DESIGN
 CIVIL/SITE DESIGN - GIS/GPS - CONSTRUCTION OBSERVATION

PAVEMENT MARKING DETAIL