

5/14/2021

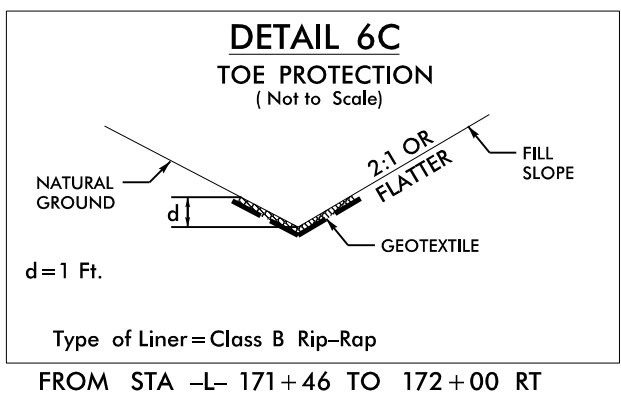
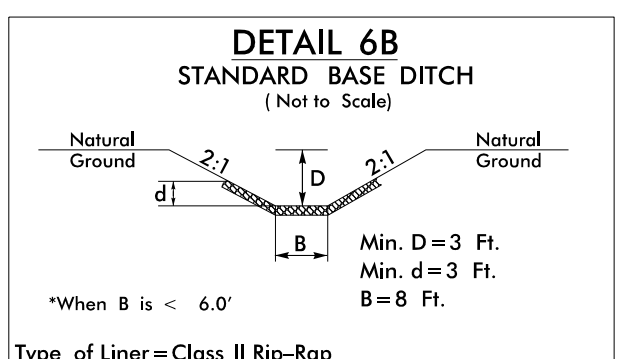
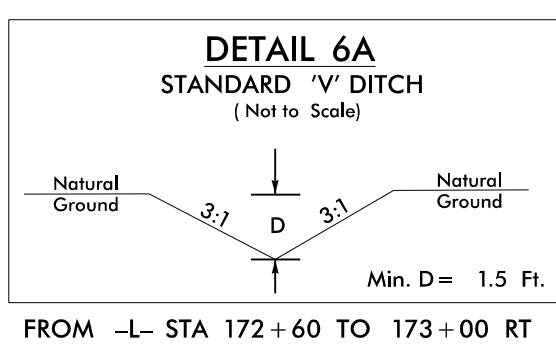
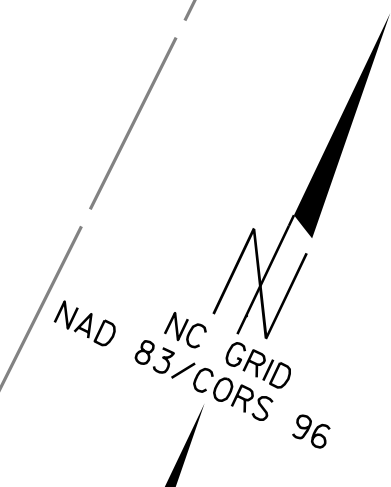
**WETHERILL ENGINEERING**  
 1223 Jones Franklin Rd.  
 Raleigh, N.C. 27606  
 License No. F-0377  
 Bus: 919 851 8077  
 Fax: 919 851 8107

TRANSPORTATION PLANNING/DESIGN - BRIDGE/STRUCTURE DESIGN  
 CIVIL/SITE DESIGN - GIS/GPS - CONSTRUCTION OBSERVATION

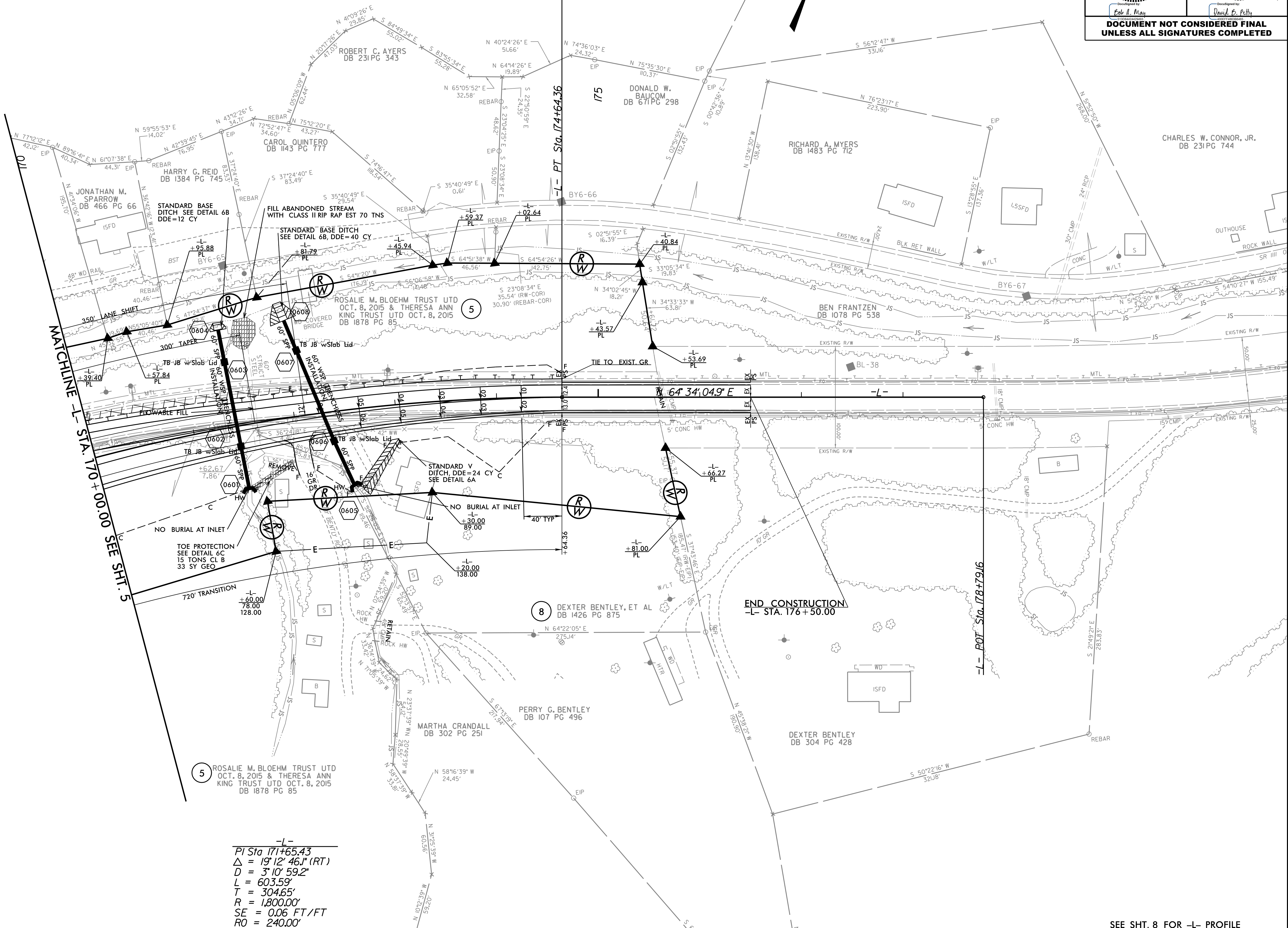
**TGS ENGINEERS**  
 706 HILLSBOROUGH ST., SUITE 200  
 RALEIGH, NC 27603  
 PH (919) 773-8887  
 CORP. LICENSE NO.: C-0275

PROJECT REFERENCE NO. <b>R-2566BA</b>	SHEET NO. <b>6</b>
RW SHEET NO.	
ROADWAY DESIGN ENGINEER 7/21/2021	HYDRAULICS ENGINEER 7/30/2021
<b>DOCUMENT NOT CONSIDERED FINAL UNLESS ALL SIGNATURES COMPLETED</b>	

**END TIP PROJECT R-2566BA**  
 -L- STA. 174+64.36



MATCHLINE -L- STA. 170+00.00 SEE SHT. 5



-L-  
 PI Sta 171+65.43  
 $\Delta = 19' 12'' 46.1'' (RT)$   
 $D = 3' 10'' 59.2''$   
 $L = 603.59'$   
 $T = 30465'$   
 $R = 1800.00'$   
 $SE = 0.06 FT/FT$   
 $RO = 240.00'$

SEE SHT. 8 FOR -L- PROFILE

REVISIONS

6/8/2021 R-2566BA\_Rdy\_psh\_06.dgn