

WETHERILL ENGINEERING
 1223 Jones Franklin Rd.
 Raleigh, N.C. 27606
 License No. F-0377
 Bus: 919 851 8077
 Fax: 919 851 8107

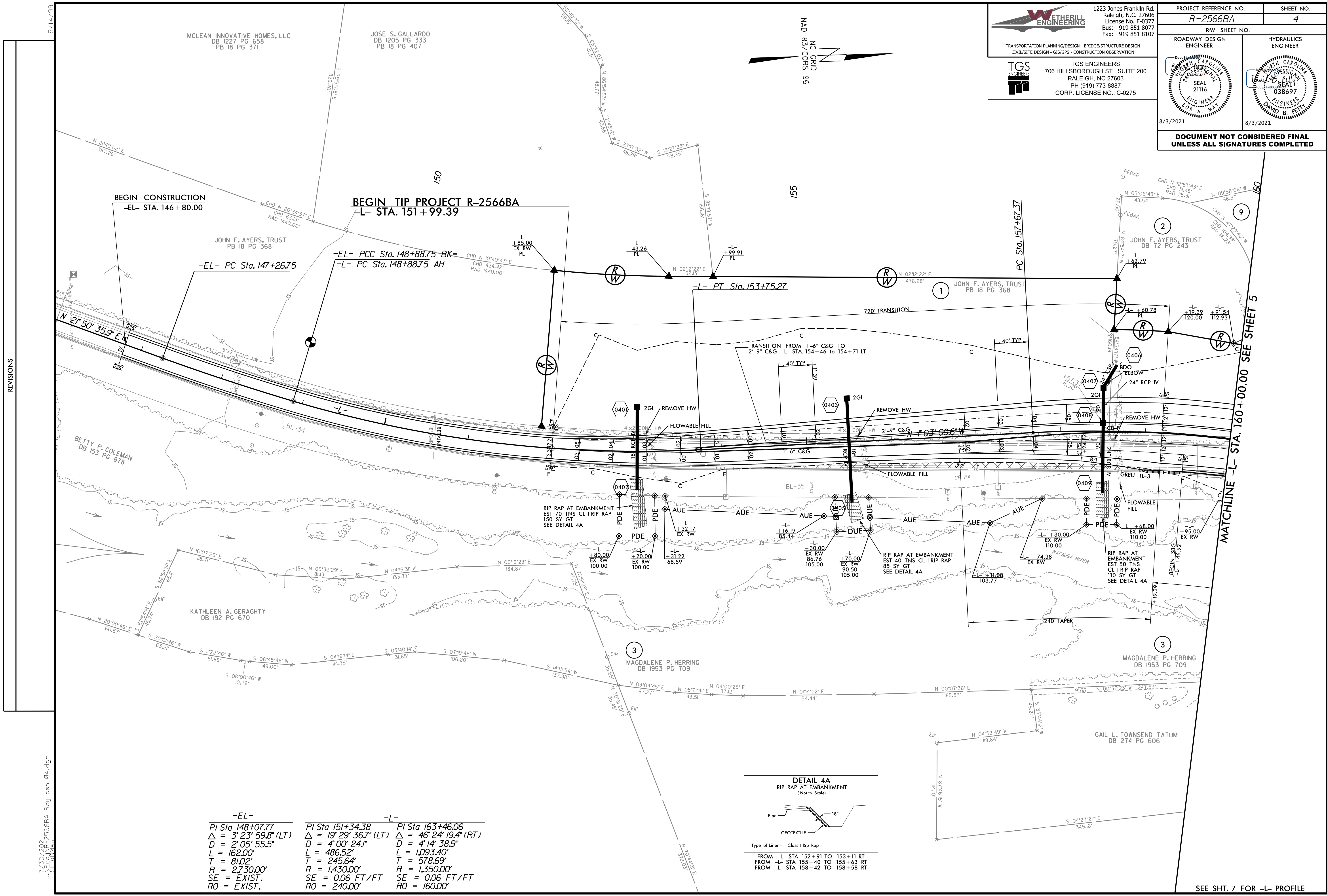
TRANSPORTATION DESIGN/DESIGN - BRIDGE/STRUCTURE DESIGN
 CIVIL/SITE DESIGN - GIS/GPS - CONSTRUCTION OBSERVATION

TGS ENGINEERS
 TGS ENGINEERS
 706 HILLSBOROUGH ST., SUITE 200
 RALEIGH, NC 27603
 PH (919) 773-8887
 CORP. LICENSE NO.: C-0275

PROJECT REFERENCE NO. R-2566BA	SHEET NO. 4
ROADWAY DESIGN ENGINEER	HYDRAULICS ENGINEER

8/3/2021

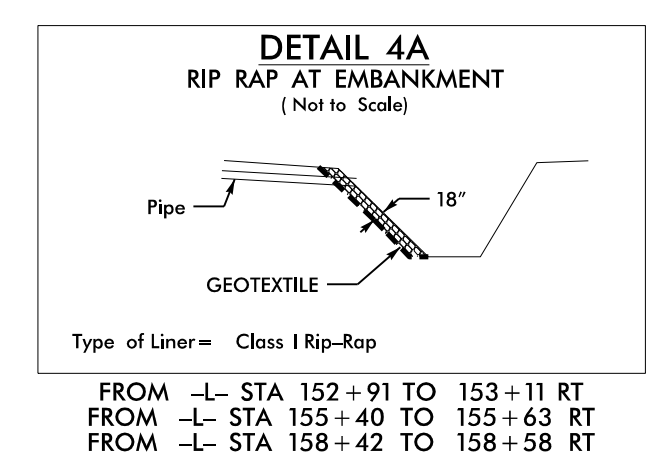
**DOCUMENT NOT CONSIDERED FINAL
 UNLESS ALL SIGNATURES COMPLETED**



REVISIONS

7/30/2021 R-2566BA_Rdy_psh_04.dgn

-EL-	-L-	-L-
PI Sta 148+07.77	PI Sta 151+34.38	PI Sta 163+46.06
$\Delta = 3' 23'' 59.8''$ (LT)	$\Delta = 19' 29'' 36.7''$ (LT)	$\Delta = 46' 24'' 19.4''$ (RT)
D = 2' 05'' 55.5"	D = 4' 00'' 24.1"	D = 4' 14'' 38.9"
L = 162.00'	L = 486.52'	L = 1,093.40'
T = 810.2'	T = 245.64'	T = 578.69'
R = 2730.00'	R = 1,430.00'	R = 1,350.00'
SE = EXIST.	SE = 0.06 FT/FT	SE = 0.06 FT/FT
RO = EXIST.	RO = 240.00'	RO = 160.00'



SEE SHT. 7 FOR -L- PROFILE