
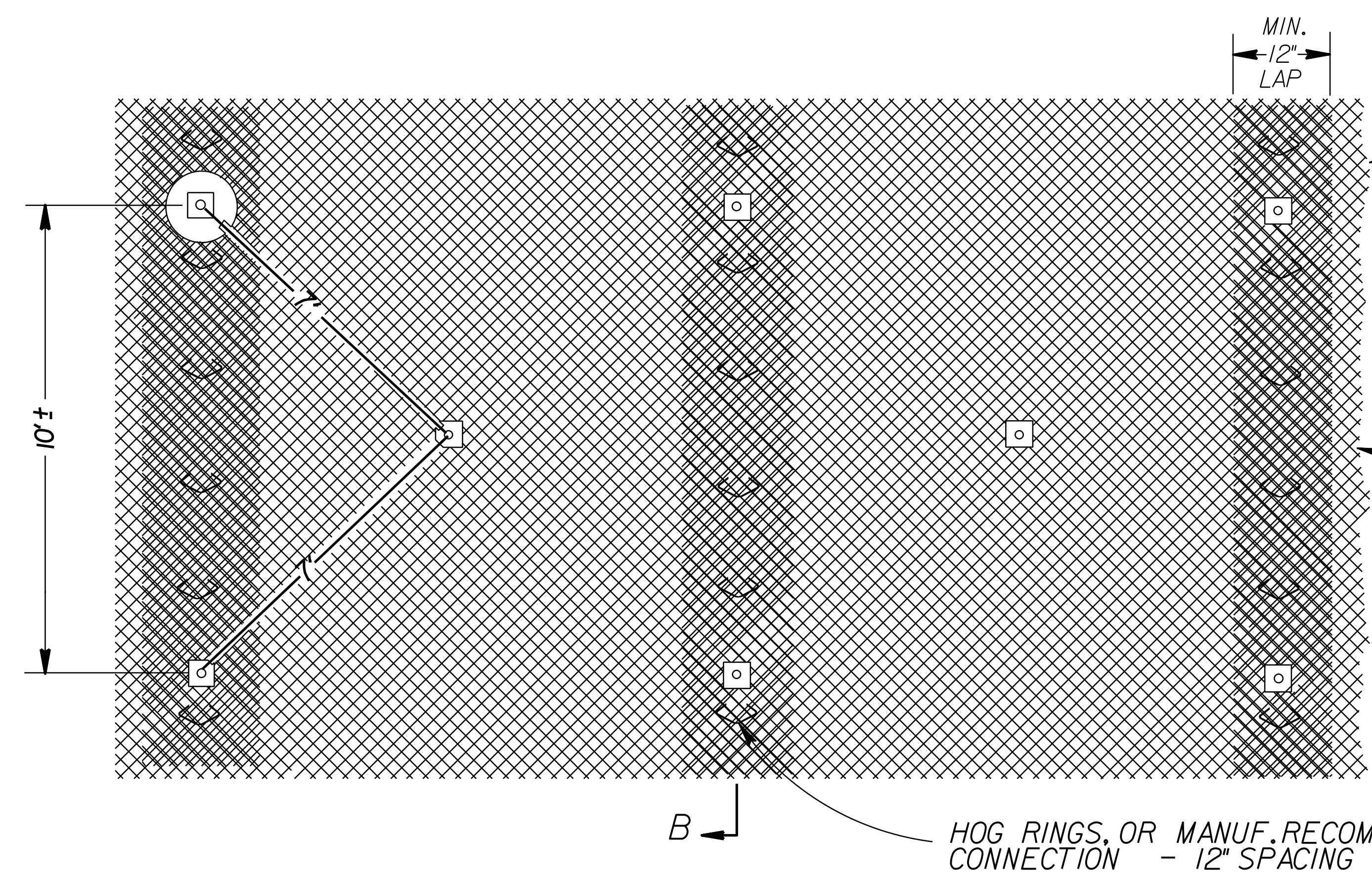
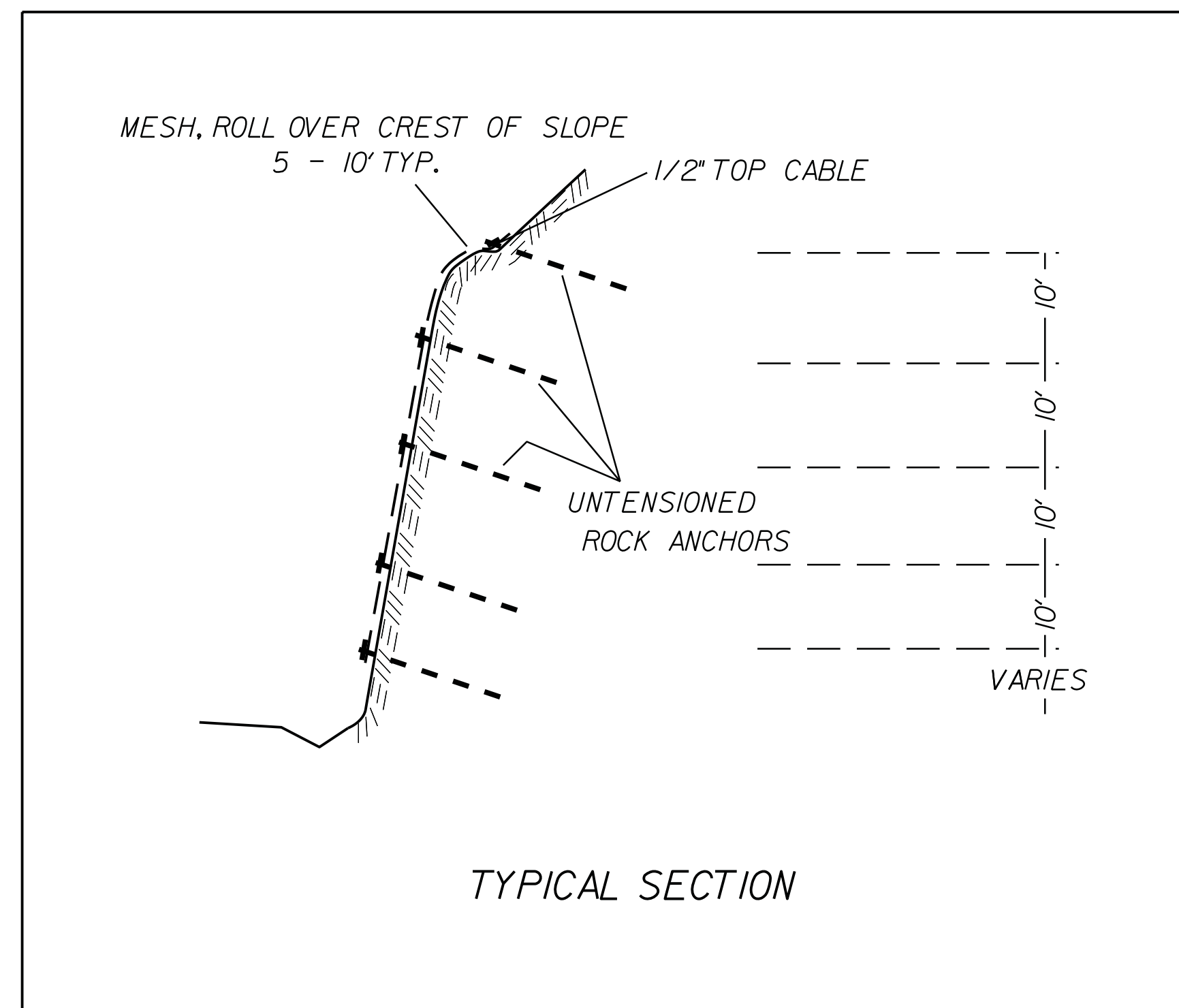
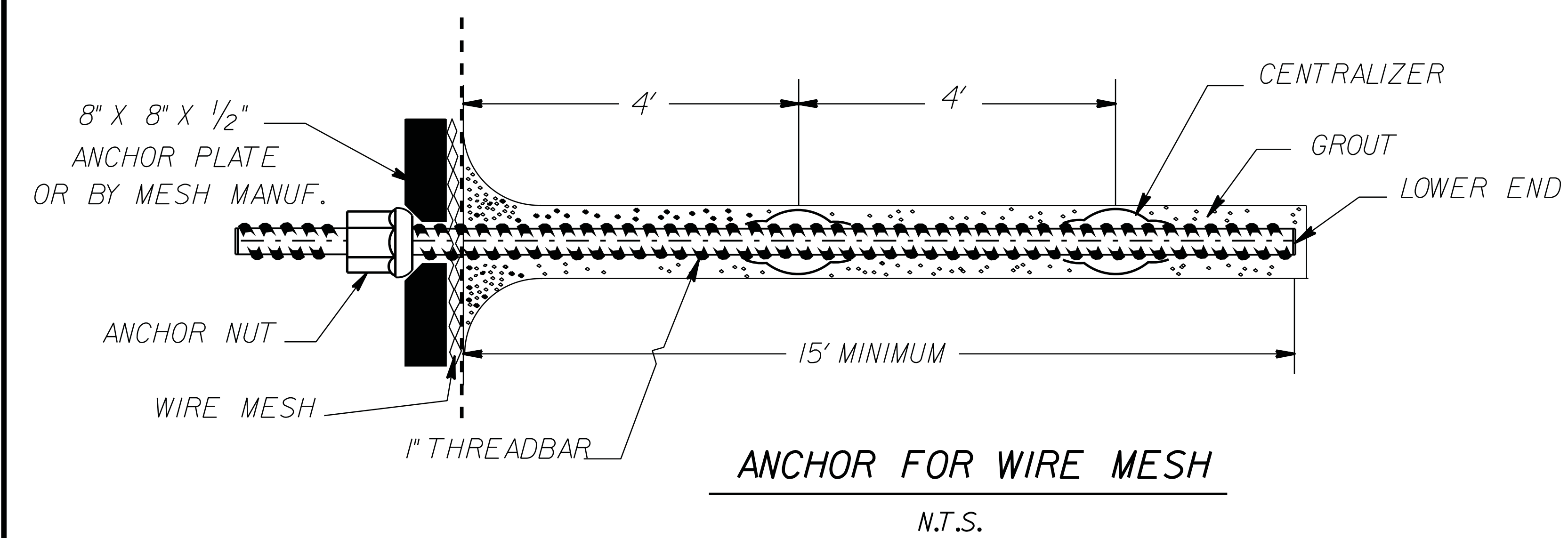


GEOTECHNICAL ENGINEER  SEAL 031361 ENGINEER, N.C.	ENGINEER
DocuSigned by: <i>Shiping Yang</i> 1/2019	
DD0C8EE5EA6E4D4...	SIGNATURE DATE
DOCUMENT NOT CONSIDERED FINAL UNLESS ALL SIGNATURES COMPLETED	

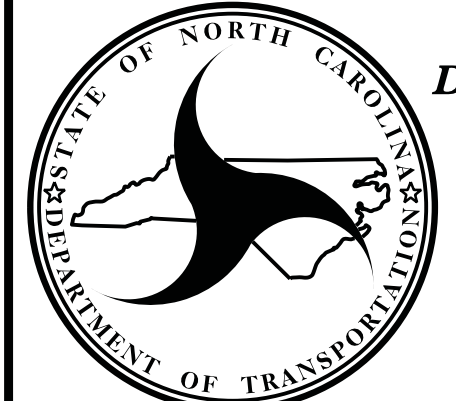


MESH: SEE SPECIAL PROVISION
"SLOPE STABILIZATION"
"WIRE MESH" TYPE 2



CONTINGENCY QUANTITY	
WIRE MESH	400 ± SY.
ANCHOR FOR WIRE MESH	40 x 15' 600 + LF.

PREPARED BY: JCK	DATE:
REVIEWED BY:	DATE:



NORTH CAROLINA
DEPARTMENT OF TRANSPORTATION
DIVISION OF HIGHWAYS

**GEOTECHNICAL
ENGINEERING UNIT**

SLOPE STABILIZATION FOR WEATHERED ROCK AND ROCK SLOPES					
CONTINGENCY LOCATIONS					
REVISIONS					
NO.	BY	DATE	NO.	BY	DATE
1			3		
2			4		