
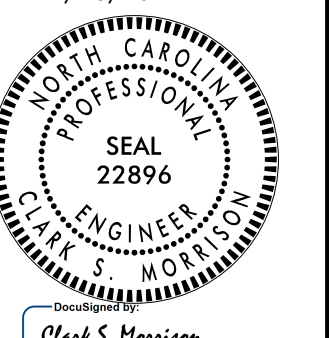
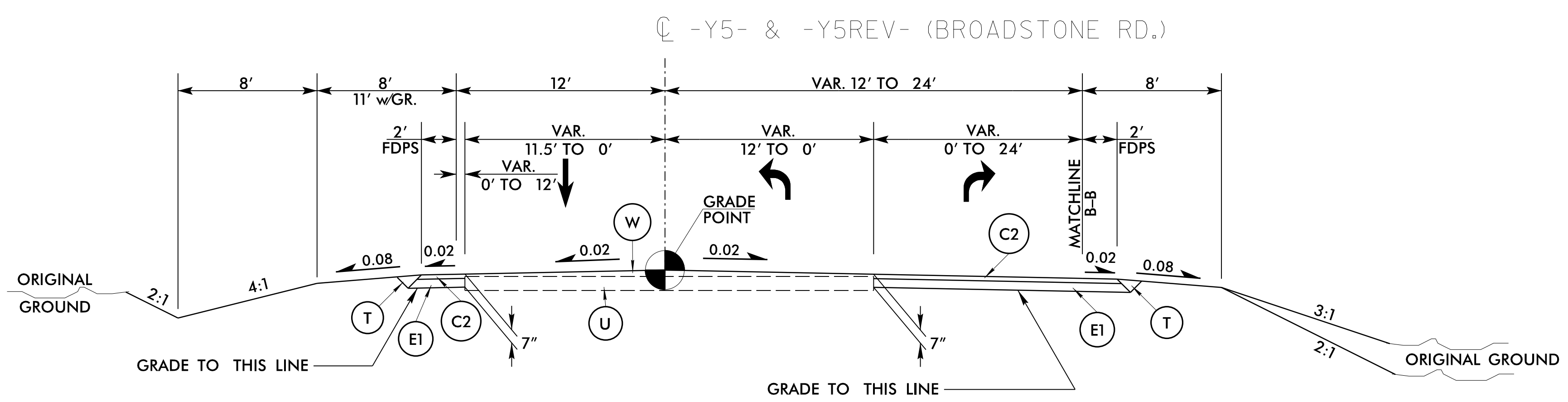


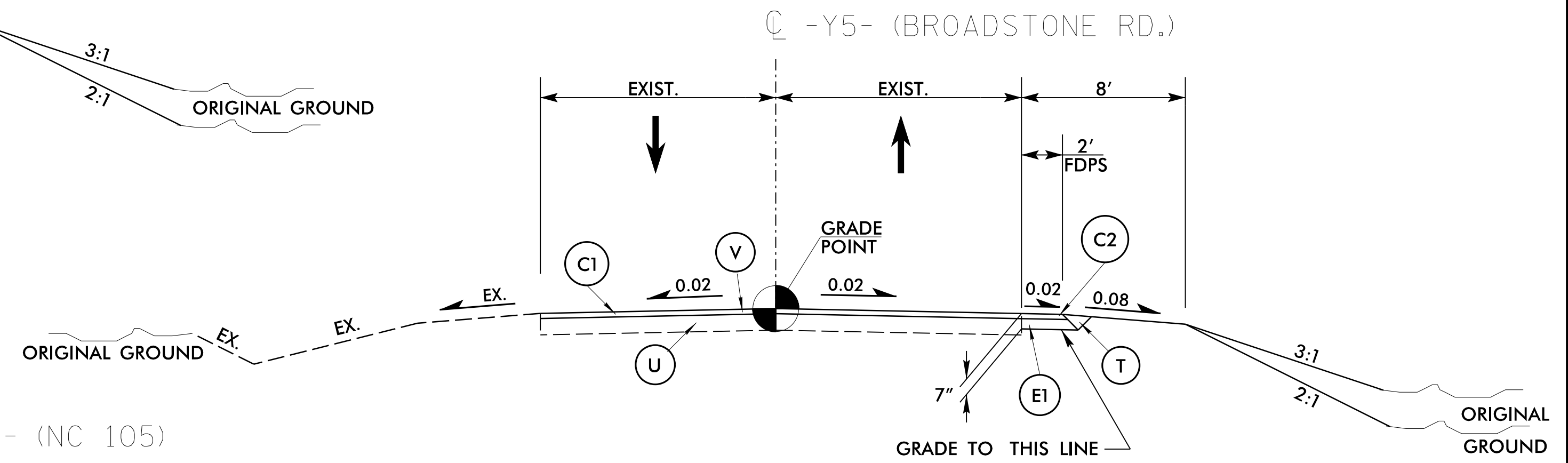
6/2/2021

**WETHERILL ENGINEERING**  
 1223 Jones Franklin Rd.  
 Raleigh, N.C. 27606  
 License No. F-0377  
 Bus: 919 851 8077  
 Fax: 919 851 8107  
 TRANSPORTATION PLANNING/DESIGN - BRIDGE/STRUCTURE DESIGN  
 CIVIL/SITE DESIGN - GIS/GPS - CONSTRUCTION OBSERVATION

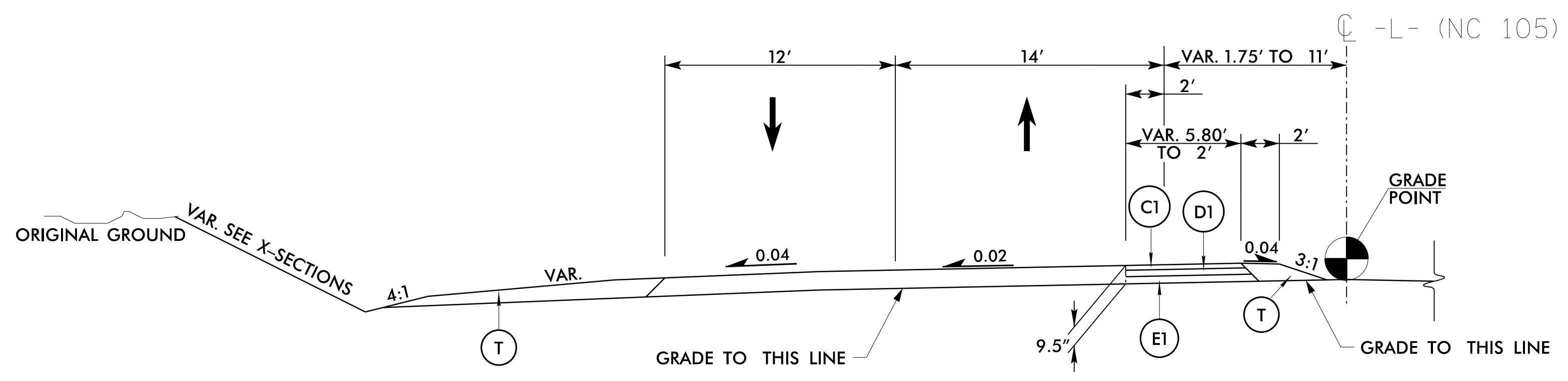
PROJECT REFERENCE NO. <b>R-2566BA</b>	SHEET NO. <b>2A-3</b>
ROADWAY DESIGN ENGINEER 7/21/2021 	PAVEMENT DESIGN ENGINEER 7/25/2021 
<b>DOCUMENT NOT CONSIDERED FINAL UNLESS ALL SIGNATURES COMPLETED</b>	



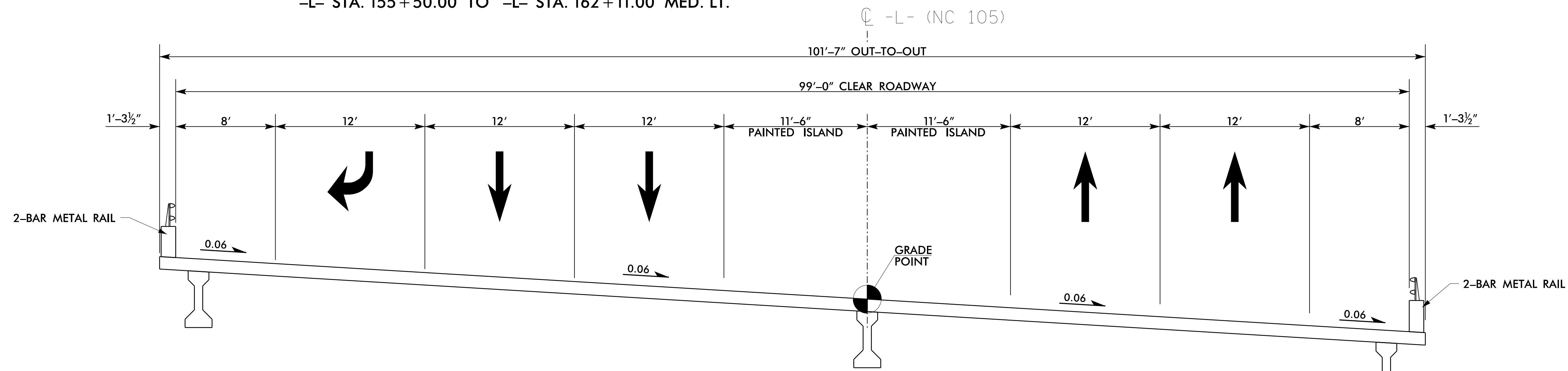
**TYPICAL SECTION NO. 4**  
 USE TYPICAL SECTION NO. 4  
 -Y5- STA. 19+00.00 TO -Y5- STA. 20+86.96  
 -Y5REV- STA. 20+86.96 TO -Y5REV- STA. 21+59.71



**TYPICAL SECTION NO. 5**  
 USE TYPICAL SECTION NO. 5  
 -Y5- STA. 18+34.40 TO -Y5- STA. 19+00.00



**TYPICAL SECTION NO. 6**  
 USE TYPICAL SECTION NO. 6  
 FOR TEMPORARY PAVEMENT  
 -L- STA. 155+50.00 TO -L- STA. 162+11.00 MED. LT.



**TYPICAL SECTION ON STRUCTURE**  
 USE TYPICAL SECTION  
 -L- STA. 162+95.00 TO -L- STA. 165+65.00

PAVEMENT SCHEDULE (FINAL PAVEMENT DESIGN)	
C1	1.5" S9.5B
C2	3" S9.5B
C3	VAR. S9.5B
D1	4" I19.0C
D2	VAR. I19.0C
E1	4" B25.0C
E2	VAR. B25.0C
J1	8" ABC
R1	1'-6" C & G
R3	2'-9" C & G
R4	SHLD. BERM GUT.
R6	SINGLE FACED CONC. BARRIER
T	EARTH MATERIAL
U	EXIST. PAVEMENT
V	1.5" MILLING
W	WEDGING

6/2/2021  
 R-2566BA\_Rdwy\_psh\_02A-3\_tup.dgn  
 11:58:10 AM