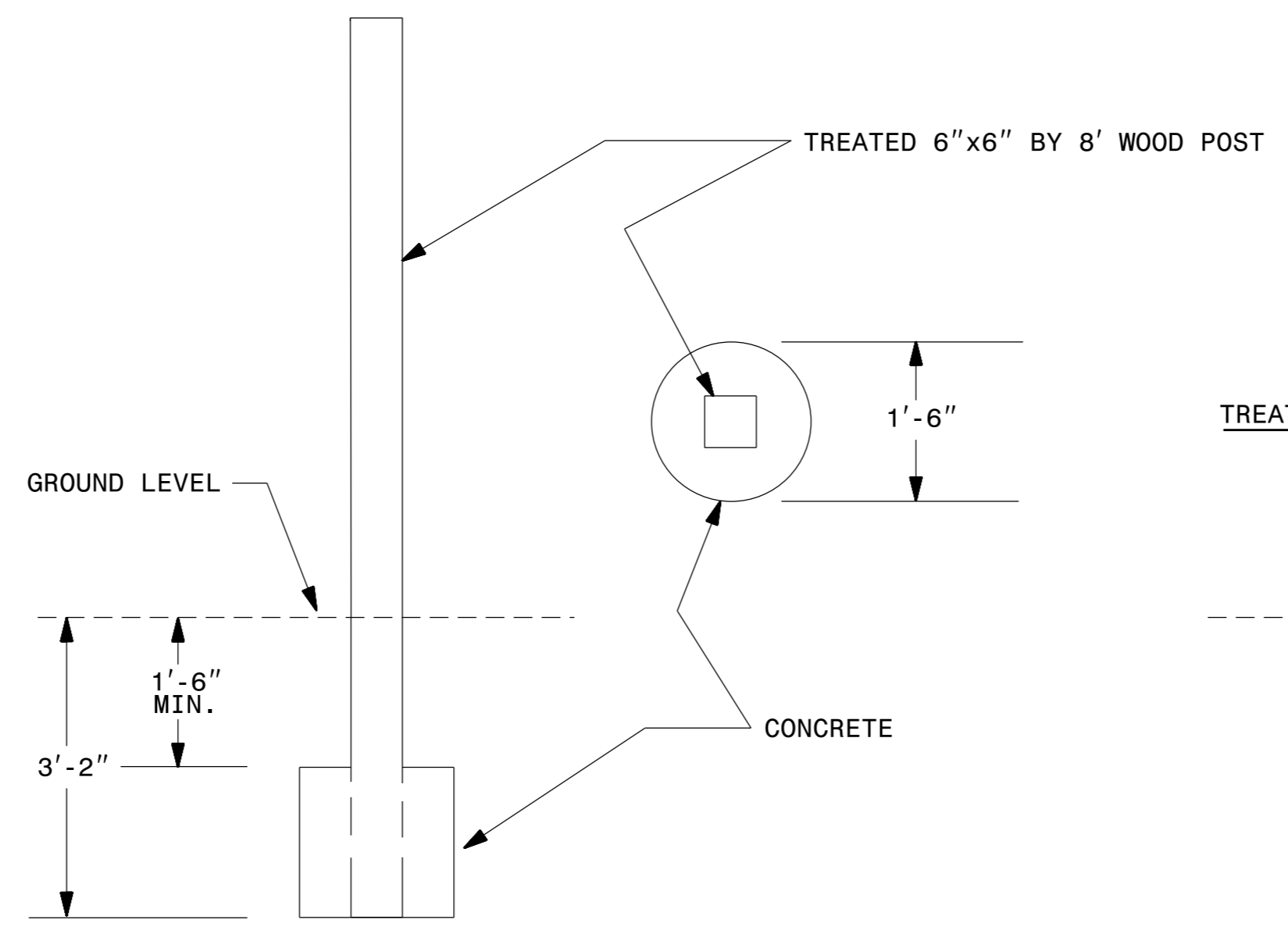


**DOCUMENT NOT CONSIDERED FINAL
UNLESS ALL SIGNATURES COMPLETED**

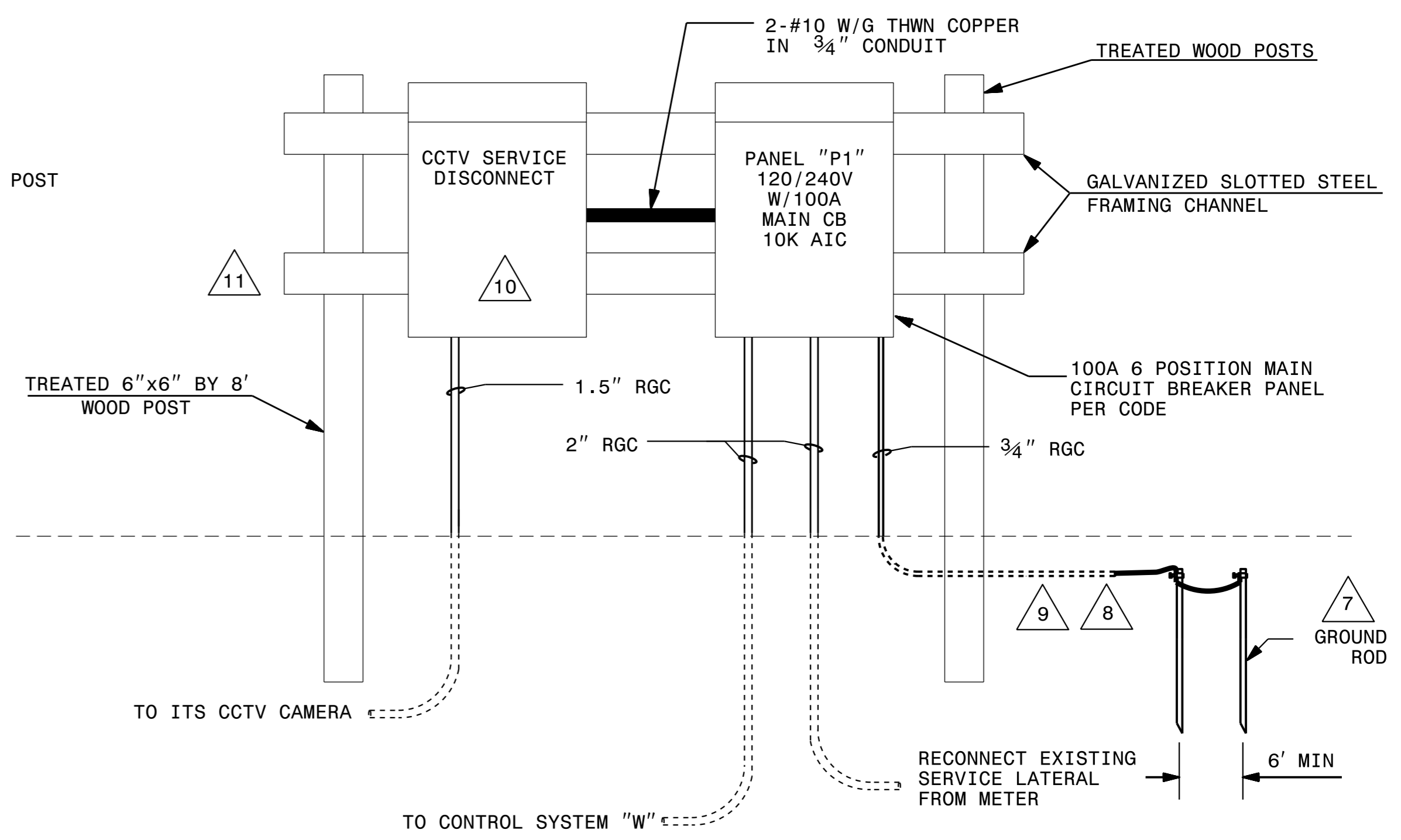
NOTES

- 1 NOT REQUIRED
- 2 NOTE REMOVED
- 3 SEE PLANS FOR SIZE OF CONDUITS AND/OR ELECTRICAL DUCT.
- 4 STUB FEEDER CIRCUIT CONDUITS INTO JUNCTION BOX. CAP UNUSED CONDUITS. FEEDER CIRCUITS MUST BE MINIMUM 30" BELOW GRADE
- 5 SEE SECTION 1411 OF THE STANDARD SPECIFICATIONS FOR JUNCTION BOX INSTALLATION.
- 6 ALL ABOVE GROUND CIRCUITRY TO BE INSTALLED IN RIGID GALVANIZED CONDUIT. UNDERGROUND FEEDER CIRCUITS TO BE INSTALLED IN SCH 40 PVC CONDUIT.
- 7 TOP OF GROUND ROD(S) SHALL BE NO MORE THAN FOUR INCHES BELOW GRADE TO ALLOW FOR EASE OF INSPECTION BY DEPARTMENT OF INSURANCE, OFFICE OF STATE FIRE MARSHAL PERSONNEL.
- 8 INSTALL A CONDUIT GROUND CHOKE AND BOND THE EQUIPMENT GROUNDING CONDUCTOR TO THE END OF THE 3/4" CONDUIT UNDERGROUND PER NEC ARTICLE 250.64E.
- 9 GROUNDING ELECTRODE CONDUCTOR 3/4" CONDUIT SHALL NOT TERMINATE BELOW THE CONCRETE FOUNDATION PAD.
- 10 THE NEUTRAL BAR IS TO BE ISOLATED FROM GROUND IN THE CCTV SERVICE DISCONNECT PANEL AND IN THE CONTROL SYSTEM "W" PANEL.
- 11 LOCATE PANEL P1 MAIN CB AND THE CCTV SERVICE DISCONNECT WITHIN TWENTY FEET OF CONTROL SYSTEM "W".

USE FOR LIGHTING CONSTRUCTION ONLY



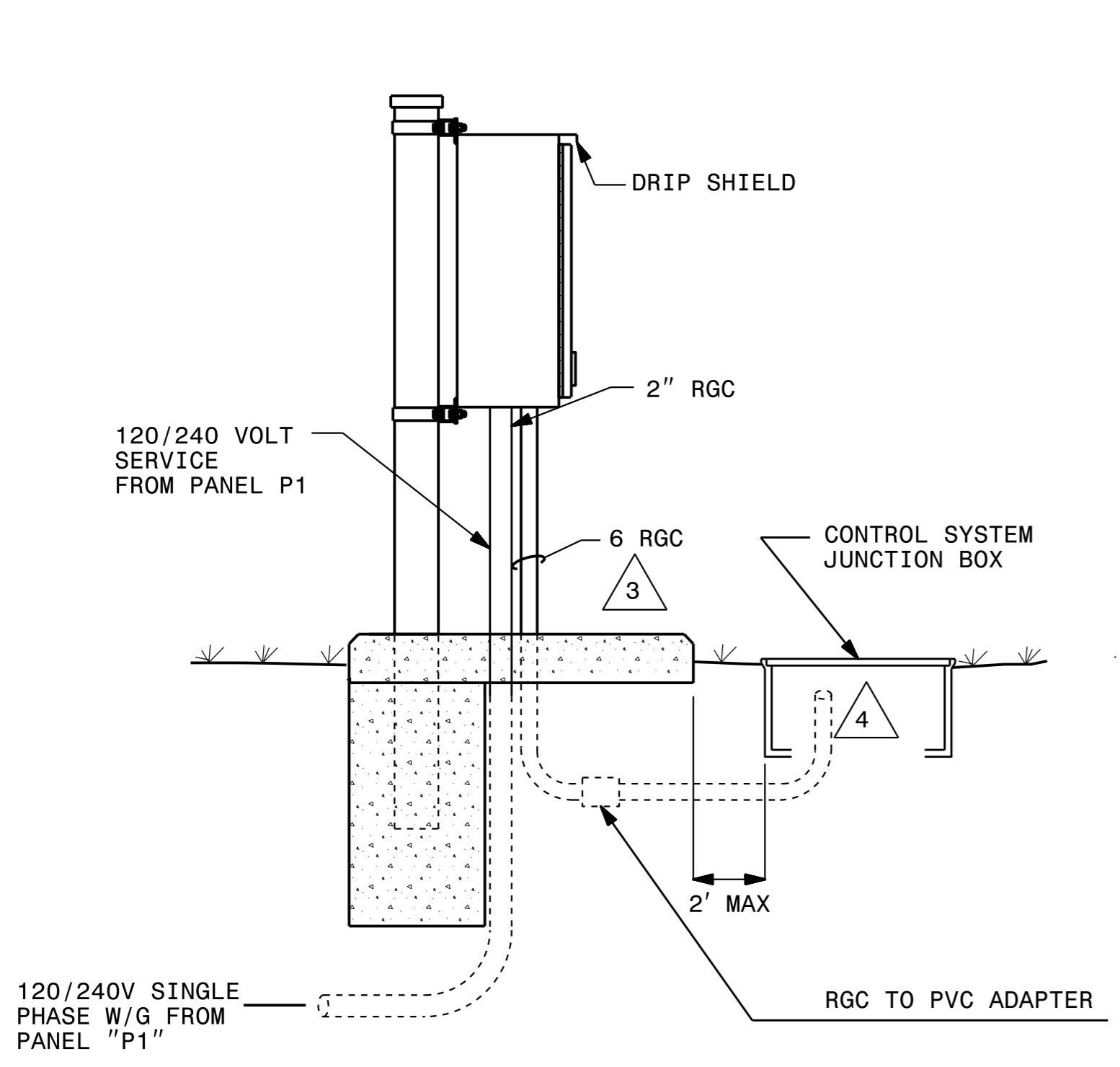
DETAIL OF POST ANCHOR



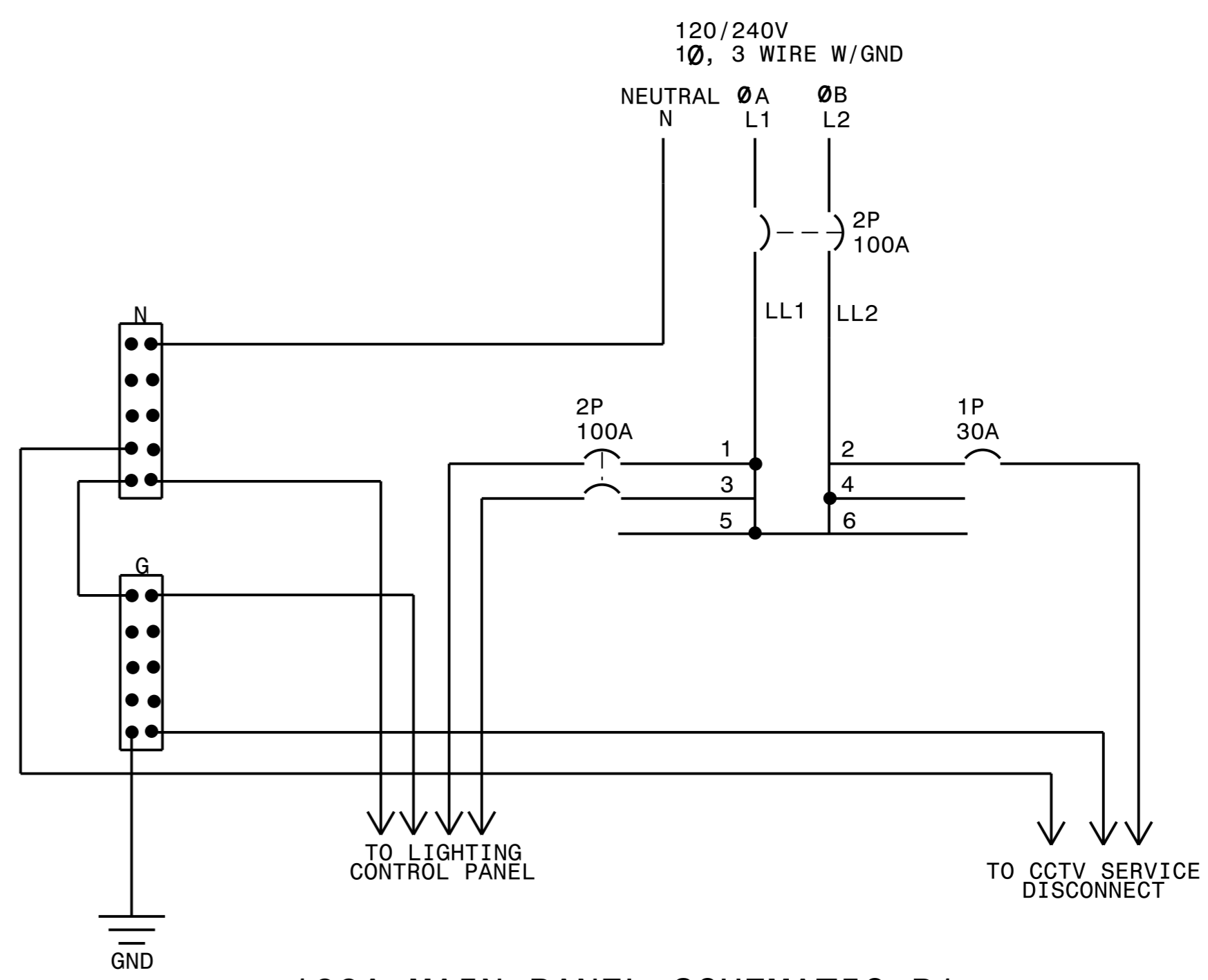
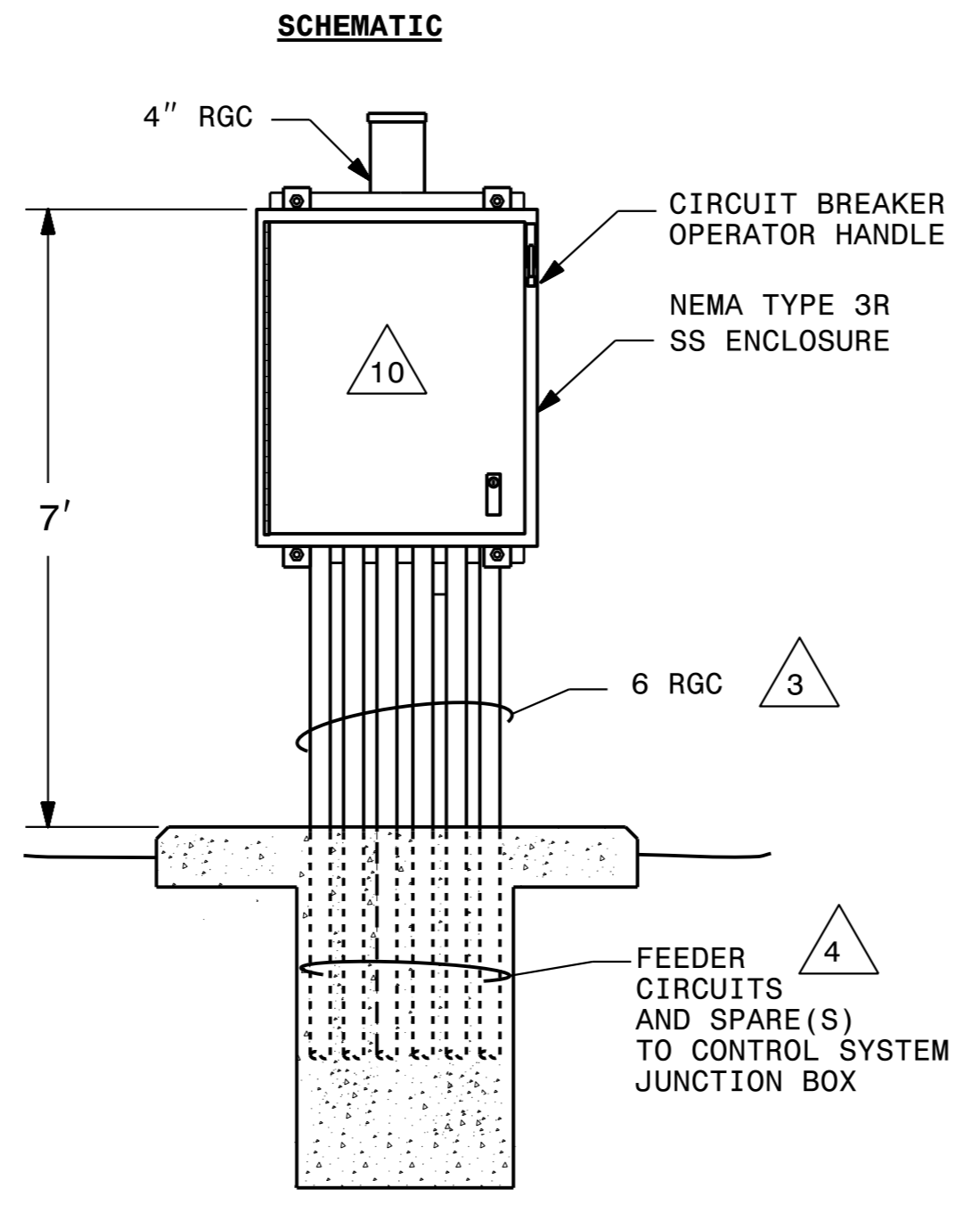
SERVICE	WIRE SZ	GRND SZ	LOAD VA	BRK AMP	CKT #	P1	CKT #	BRK AMP	LOAD VA	GRND SZ	WIRE SZ	SERVICE
SERVICE FOR LIGHTING	3#2	#2	600	100/2	1 3 5	A	2 4 6	30/1	600	#10	3#10	CCTV DISCONNECT

LOCATION: OUTDOOR
 PANEL MOUNTING: SURFACE
 SERVICE: 120/240, 1PH, 3 WIRE, AC, FULL NEUTRAL, SERVICE ENTRANCE
 MAIN BREAKER: 100A
 CABINET: NEMA 3R
 ACCESSORIES: GROUND BAR, CONNECTED VA
 COMMENTS: NEW PANEL "P1"
 PHASE "A" = 600 VA
 PHASE "B" = 600 VA

POWER RISER DIAGRAM



ASSEMBLY



100A MAIN PANEL SCHEMATIC P1

2			
1			
Rev.	Date	Description	Approved
NORTH CAROLINA DEPARTMENT OF TRANSPORTATION ROADWAY DESIGN LIGHTING/ELECTRICAL SECTION 120/240V CONTROL SYSTEM "W" DETAILS SHEET 4 OF 6 GUILFORD COUNTY			
Drawn By:	AB	Approved By:	Dwg No.:

27-SEP-2021 13:47
 R:\Lighting\Lighting Design\U5754_1&e_psh.e10.dgn
 1abr.wml 9/27/2021 9:00:30 AM