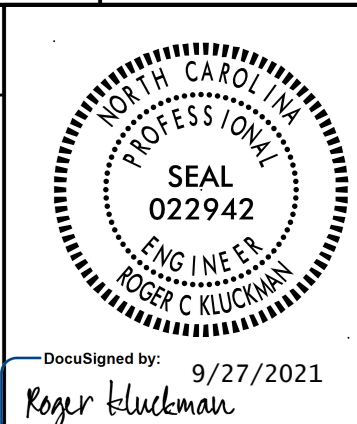


DOCUMENT NOT CONSIDERED FINAL
UNLESS ALL SIGNATURES COMPLETED

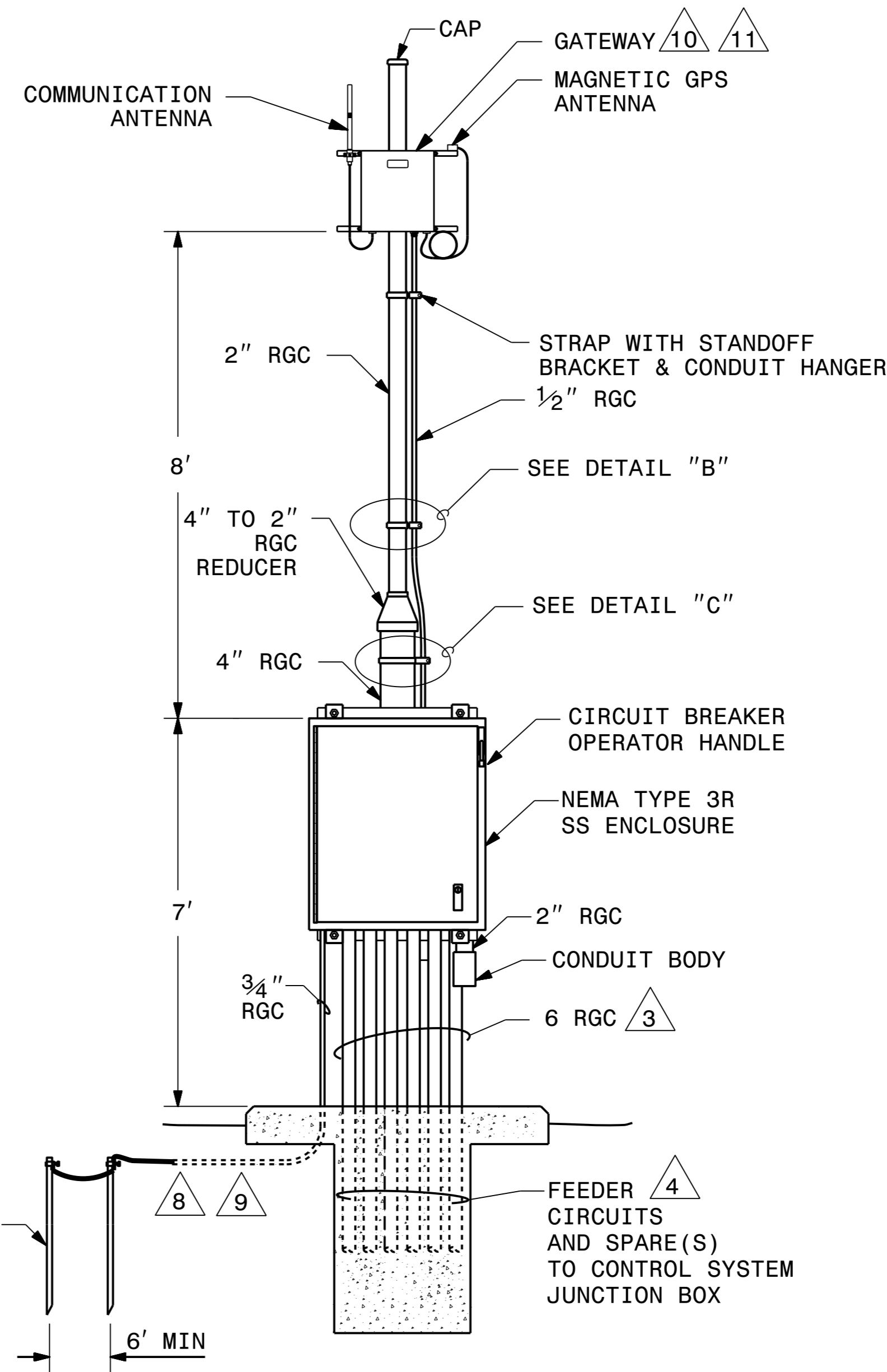
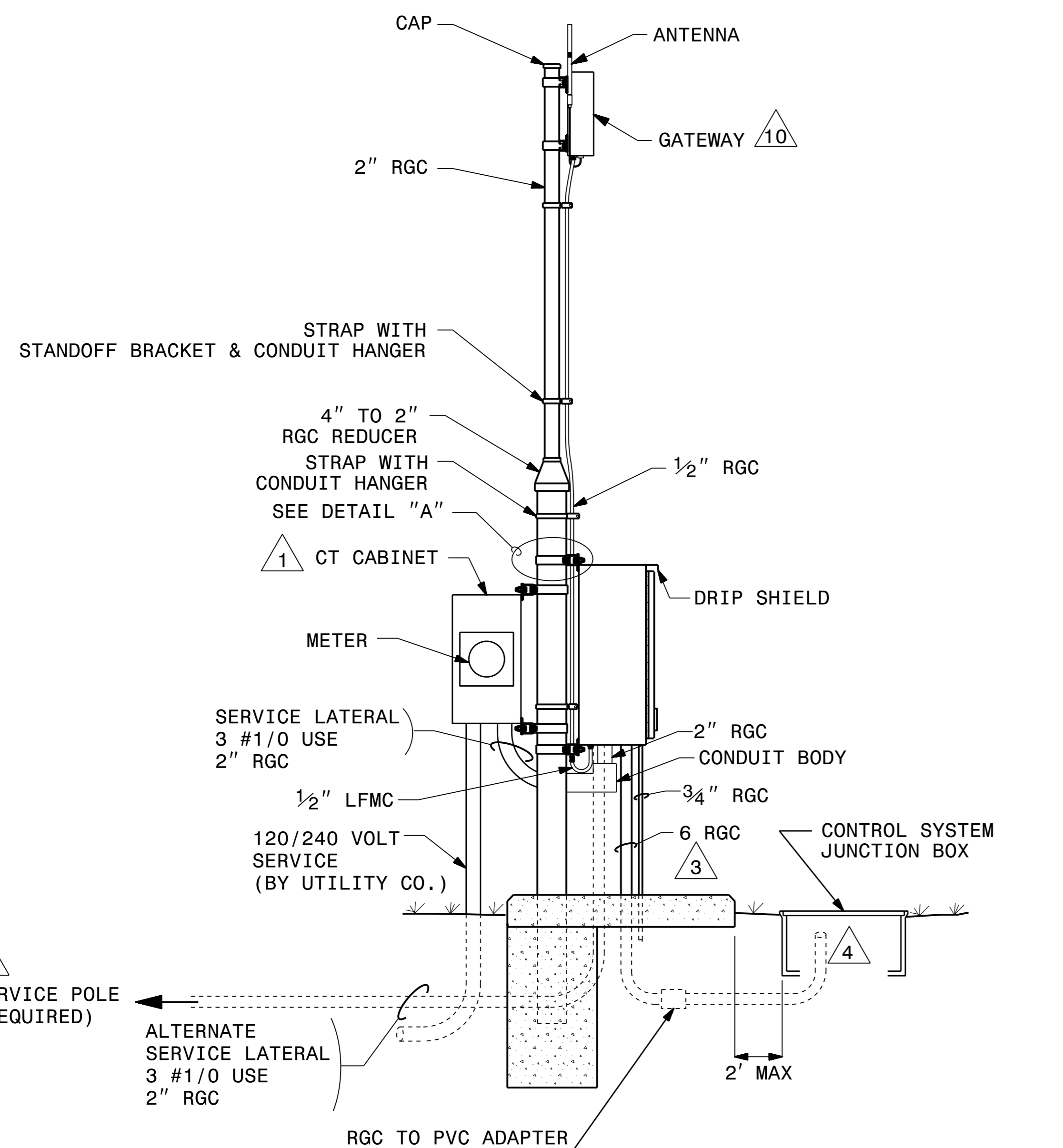
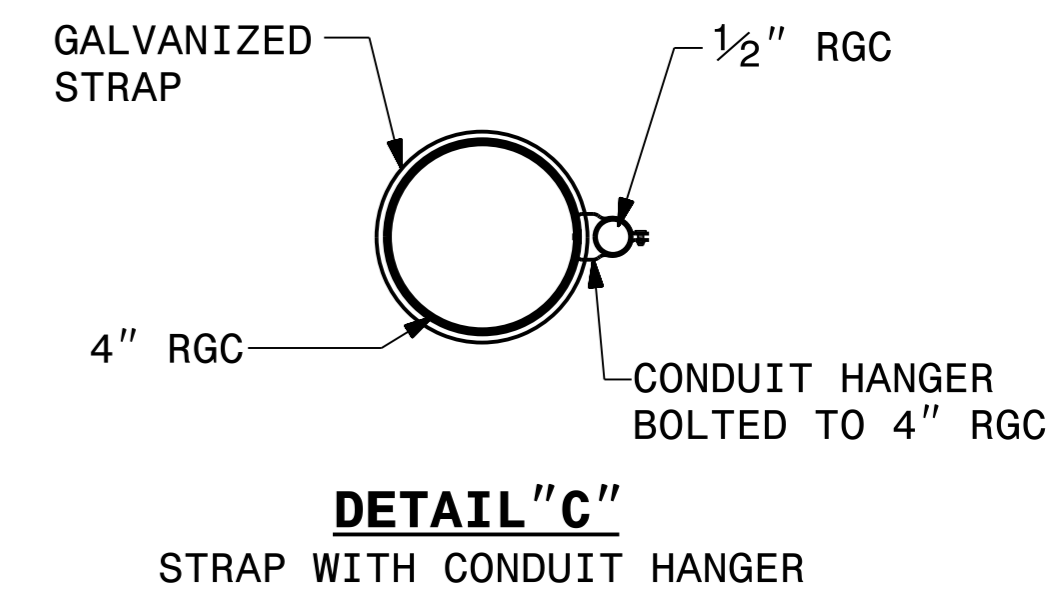
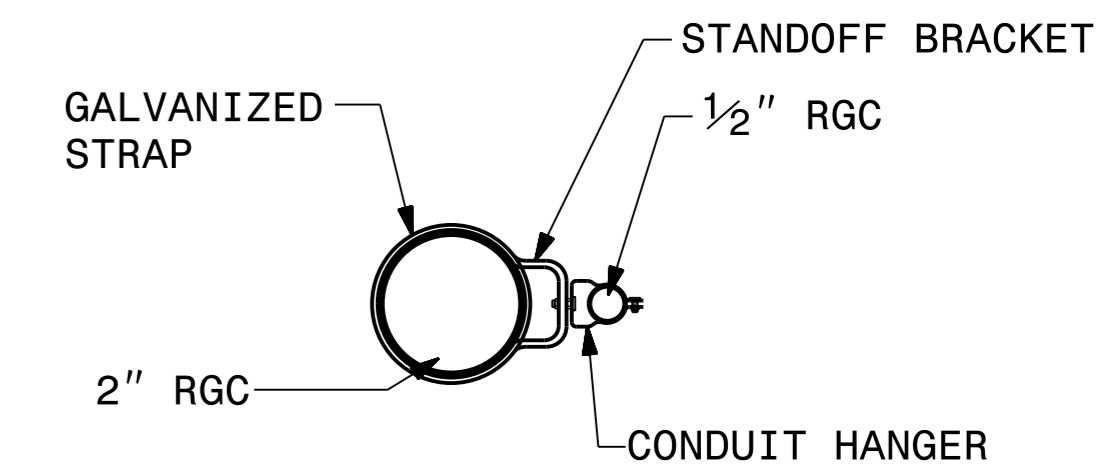
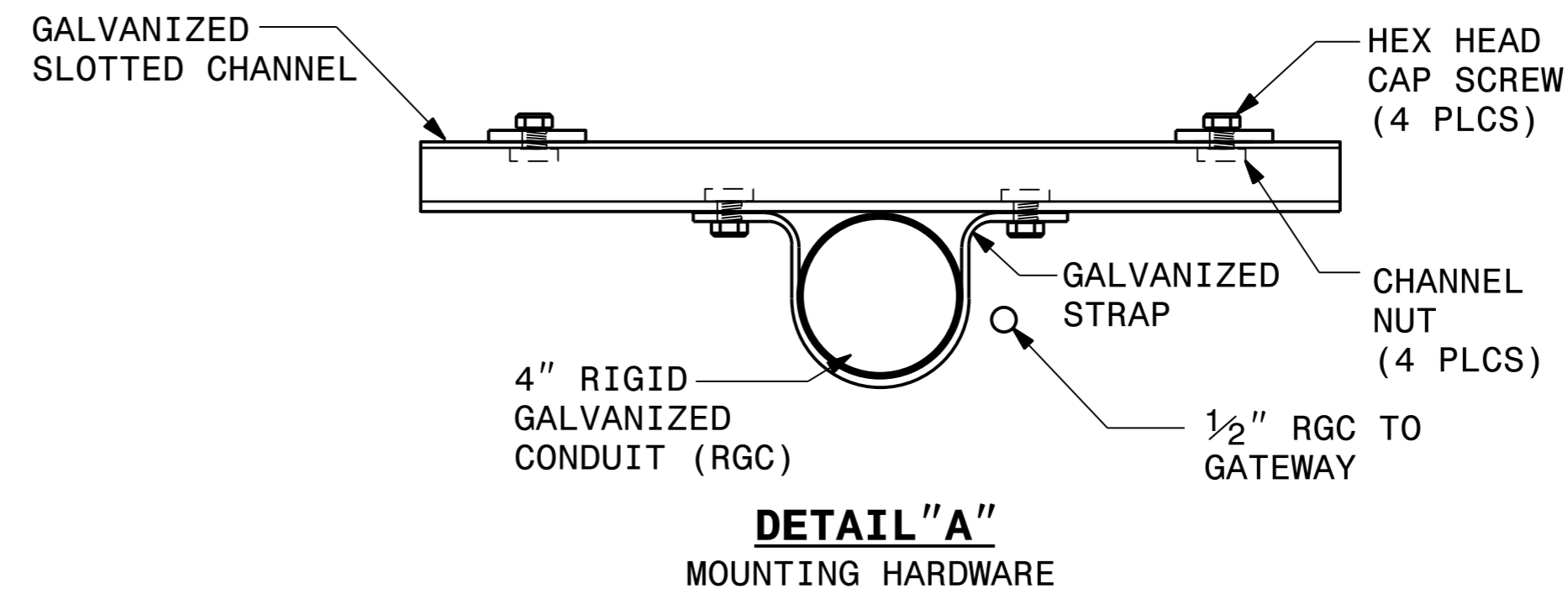


USE FOR LIGHTING CONSTRUCTION ONLY

NOTES

- 1 CURRENT TRANSFORMER (CT) CABINET AND METER MAY BE MOUNTED ON SERVICE POLE OR BACK OF CONTROL ENCLOSURE.
- 2 SEE SECTION 1407 OF THE STANDARD SPECIFICATIONS FOR SERVICE POLE AND SERVICE LATERAL.
- 3 SEE PLANS FOR SIZE OF CONDUITS AND/OR ELECTRICAL DUCT.
- 4 STUB FEEDER CIRCUIT CONDUITS INTO JUNCTION BOX. CAP UNUSED CONDUITS. FEEDER CIRCUITS MUST BE MINIMUM 30" BELOW GRADE
- 5 SEE SECTION 1411 OF THE STANDARD SPECIFICATIONS FOR JUNCTION BOX INSTALLATION.
- 6 ALL ABOVE GROUND CIRCUITRY TO BE INSTALLED IN RIGID GALVANIZED CONDUIT. UNDERGROUND FEEDER CIRCUITS TO BE INSTALLED IN SCH 40 PVC CONDUIT.

- 7 TOP OF GROUND ROD(S) SHALL BE NO MORE THAN FOUR INCHES BELOW GRADE TO ALLOW FOR EASE OF INSPECTION BY DEPARTMENT OF INSURANCE, OFFICE OF STATE FIRE MARSHAL PERSONNEL.
- 8 INSTALL A CONDUIT GROUND CHOKE AND BOND THE EQUIPMENT GROUNDING CONDUCTOR TO THE END OF THE 3/4" CONDUIT UNDERGROUND PER NEC ARTICLE 250.64E.
- 9 GROUNDING ELECTRODE CONDUCTOR 3/4" CONDUIT SHALL NOT TERMINATE BELOW THE CONCRETE FOUNDATION PAD.
- 10 STRAP GATEWAY TO 2" RGC USING STEEL BANDS PREINSTALLED ON GATEWAY ENCLOSURE.
- 11 REUSE GATEWAY ON NEW CONTROL SYSTEM "V".



ASSEMBLY

2			
1			
Rev.	Date	Description	Approved
NORTH CAROLINA DEPARTMENT OF TRANSPORTATION ROADWAY DESIGN LIGHTING/ELECTRICAL SECTION 120/240V CONTROL SYSTEM "V" DETAILS SHEET 3 OF 6 GUILFORD COUNTY			
Drawn By:	AB	Approved By:	Dwg No.:

23-JUL-2021 15:04
 R:\Lighting\Lighting Design\U5754_1&e_psh.e9.dgn
 1abr.own. 9/27/2021 10:30:54