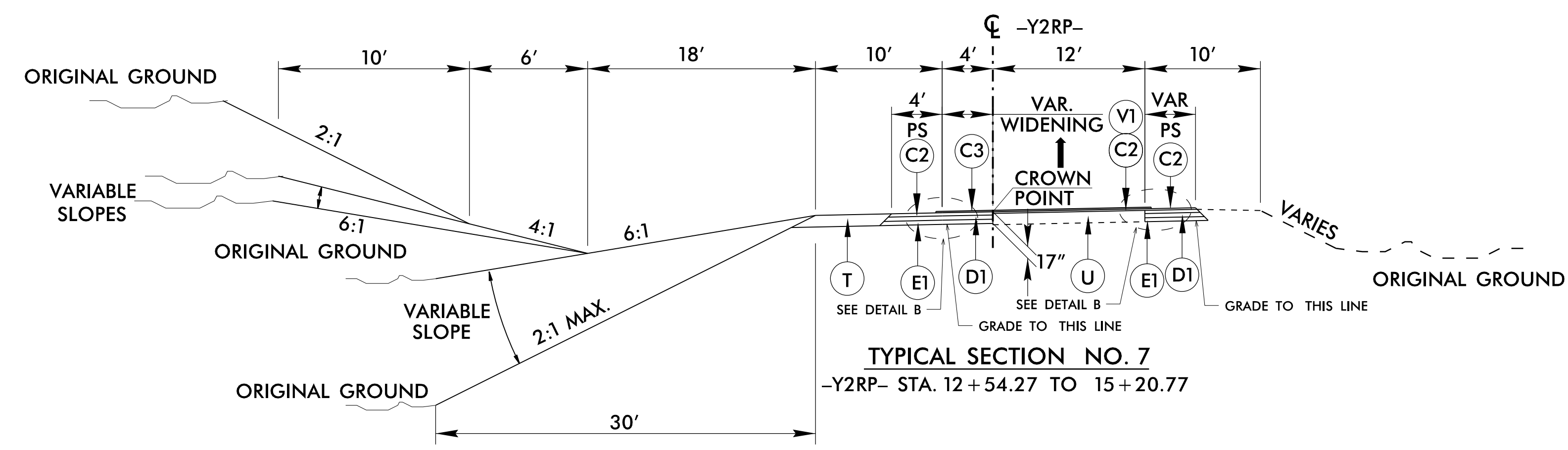
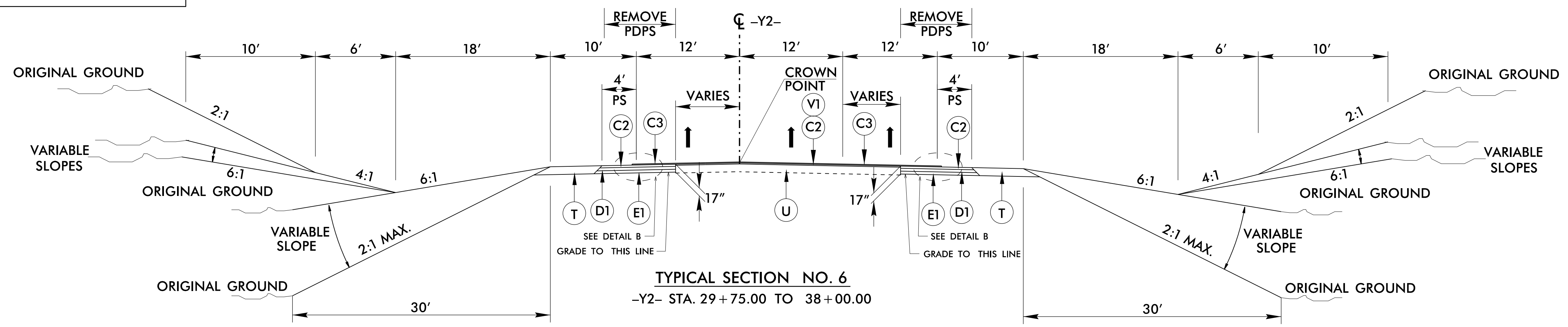


5/14/99

PAVEMENT SCHEDULE	
C1	PROP. APPROX. 1½", TYPE S9.5D
C2	PROP. APPROX. 3", TYPE S9.5D
C3	PROP. APPROX. 3/4", FC-1
D1	PROP. APPROX. 4", TYPE I19.0C
E1	PROP. APPROX. 10", TYPE B25.0C
R1	PROP. EXPRESSWAY GUTTER
R2	SINGLE FACED CONCRETE BARRIER
T	EARTHEN MATERIAL
U	EXISTING PAVEMENT
V1	MILLING 1.5"
V2	MILLED RUMBLE STRIPS

Stantec
 Stantec Consulting Services Inc.
 801 Jones Franklin Road
 Suite 300
 Raleigh, NC 27606
 Tel. (919) 851-6866
 Fax. (919) 851-7024
 www.stantec.com
 License No. F-0672

PROJECT REFERENCE NO. U-5754	SHEET NO. 2A-3
RW SHEET NO.	
ROADWAY DESIGN ENGINEER	PAVEMENT ENGINEER
DOCUMENT NOT CONSIDERED FINAL UNLESS ALL SIGNATURES COMPLETED	



8/29/2021 1:57:54 PM U:\5754_Rdy_typ.dgn