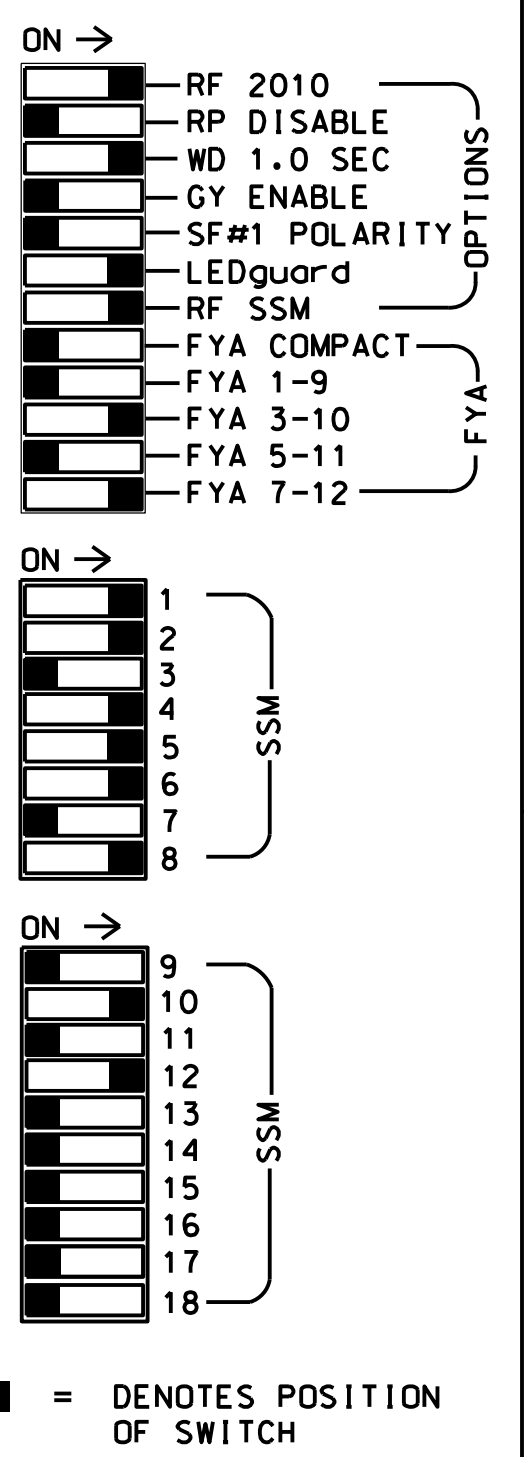
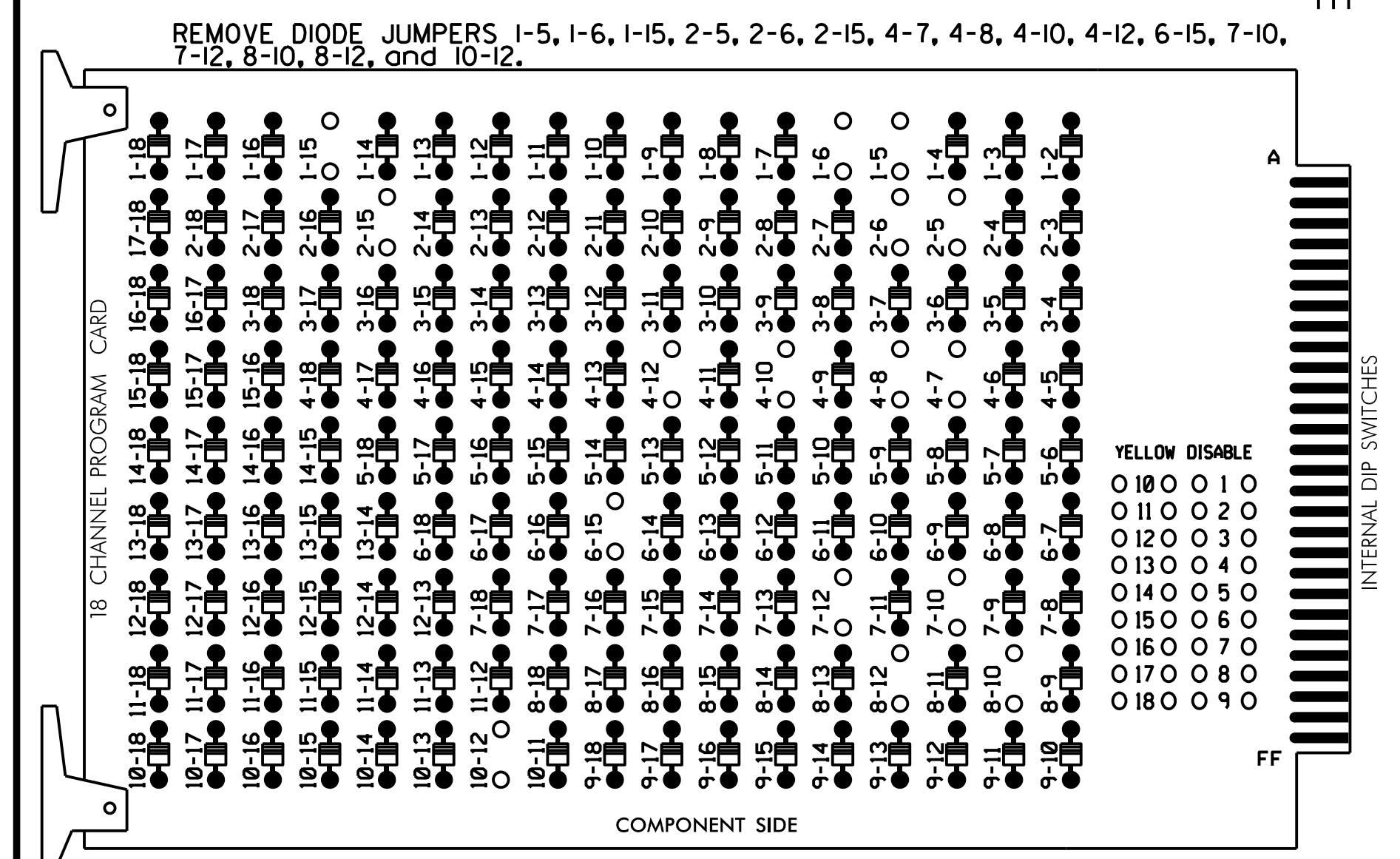


EDI MODEL 2018EClip-NC CONFLICT MONITOR PROGRAMMING DETAIL

(remove jumpers and set switches as shown)



NOTES:

- Card is provided with all diode jumpers in place. Removal of any jumper allows its channels to run concurrently.
- Ensure jumpers SEL2-SEL5 and SEL9 are present on the monitor board.
- Ensure that Red Enable is active at all times during normal operation.
- Integrate monitor with Ethernet network in cabinet.

■ = DENOTES POSITION OF SWITCH

NOTES

- To prevent "flash-conflict" problems, insert red flash program blocks for all unused vehicle load switches in the output file. The installer shall verify that signal heads flash in accordance with the Signal Plans.
- Program phases 4 and 8 for Dual Entry.
- Program controller to start up in phase 2 Green and 6 WALK.
- The cabinet and controller are part of the Fayetteville Signal System.

EQUIPMENT INFORMATION

CONTROLLER.....2070
 CABINET.....332 W/AUX
 SOFTWARE.....ECONOLITE ASC/3-2070
 CABINET MOUNT.....BASE
 OUTPUT FILE POSITIONS...18 WITH AUX. OUTPUT FILE
 LOAD SWITCHES USED.....S1,S2,S5,S7,S8,S9,S10,
 S11,AUX S2,AUX S5
 PHASES USED.....1,2,4,5,6,6PED,7,8
 OVERLAP "A".....NOT USED
 OVERLAP "B".....*
 OVERLAP "C".....NOT USED
 OVERLAP "D".....*
 * See overlap programming detail on sheet 2

SIGNAL HEAD HOOK-UP CHART

LOAD SWITCH NO.	S1	S2	S3	S4	S5	S6	S7	S8	S9	S10	S11	S12	AUX S1	AUX S2	AUX S3	AUX S4	AUX S5	AUX S6
CMU CHANNEL NO.	1	2	13	3	4	14	5	6	15	7	8	16	9	10	17	11	12	18
PHASE	1	2	2 PED	3	4	4 PED	5	6	6 PED	7	8	8 PED	OLA	OLB	SPARE	OLC	OLD	SPARE
SIGNAL HEAD NO.	11	21,22	NU	NU	41,42	NU	51	61,62	61,62	71*	82,83	NU	NU	81*	NU	NU	71*	NU
RED		128			101			134			107							
YELLOW		129			102			135		*	108							
GREEN		130			103			136			109							
RED ARROW	125							131								A124		A101
YELLOW ARROW	126							132								A125		A102
FLASHING YELLOW ARROW																A126		A103
GREEN ARROW	127							133			124							
Hand											119							
Walking											121							

NU = Not Used
 * Denotes install load resistor. See load resistor installation detail this sheet.
 * See pictorial of head wiring in detail this sheet.

INPUT FILE POSITION LAYOUT

(front view)

FILE "I"	1	2	3	4	5	6	7	8	9	10	11	12	13	14
U	∅ 1 1A	∅ 2 2A	S TOP	S TOP	S TOP	∅ 4 4A	S TOP	S TOP	S TOP	S TOP	S TOP	S TOP	∅ 6 PED DC ISOLATOR	FS DC ISOLATOR
L	NOT USED	∅ 2 2B	S TOP	S TOP	S TOP	NOT USED	S TOP	S TOP	S TOP	S TOP	S TOP	S TOP	NOT USED	ST DC ISOLATOR
U	∅ 5 5A	∅ 6 6A	∅ 6 6C	S TOP	∅ 7 7A	∅ 8 8A	S TOP	S TOP	S TOP	S TOP	S TOP	S TOP	S TOP	S TOP
L	NOT USED	∅ 6 6B	NOT USED	S TOP	NOT USED	∅ 8 8B	S TOP	S TOP	S TOP	S TOP	S TOP	S TOP	S TOP	S TOP

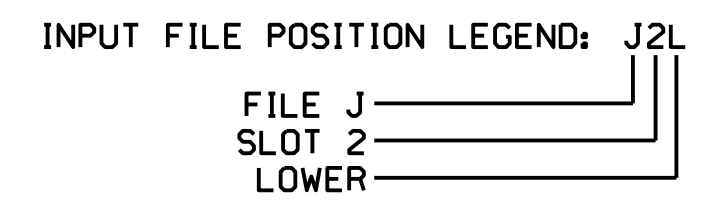
EX.: 1A, 2A, ETC. = LOOP NO.'S
 FS = FLASH SENSE
 ST = STOP TIME
 * Wired Input - Do not populate slot with detector card

INPUT FILE CONNECTION & PROGRAMMING CHART

LOOP NO.	LOOP TERMINAL	INPUT FILE POS.	PIN NO.	DETECTOR NO.	NEMA PHASE	CALL	EXTEND TIME	DELAY TIME	ADDED INITIAL	DETECTOR TYPE
1A	TB2-1,2	I1U	56	1	1	YES				S
2A	TB2-5,6	I2U	39	2	2	YES			X	N
2B	TB2-7,8	I2L	43	12	2	YES			X	N
4A	TB4-9,10	I6U	41	4	4	YES		10		S
5A	TB3-1,2	J1U	55	5	5	YES				S
6A	TB3-5,6	J2U	40	6	6	YES			X	N
6B	TB3-7,8	J2L	44	16	6	YES			X	N
6C	TB3-9,10	J3U	64	36	6	YES			X	N
7A ¹	TB5-5,6	J5U	57	7	7	YES		15		S
	-	I8U	49	24	4	YES		3		G
8A	TB5-9,10	J6U	42	8	8	YES		3		S
8B	TB5-11,12	J6L	46	18	8	YES		10		S
PED PUSH BUTTONS										
P61,P62	TB8-7,9	I13U	68	PED 6	6 PED					

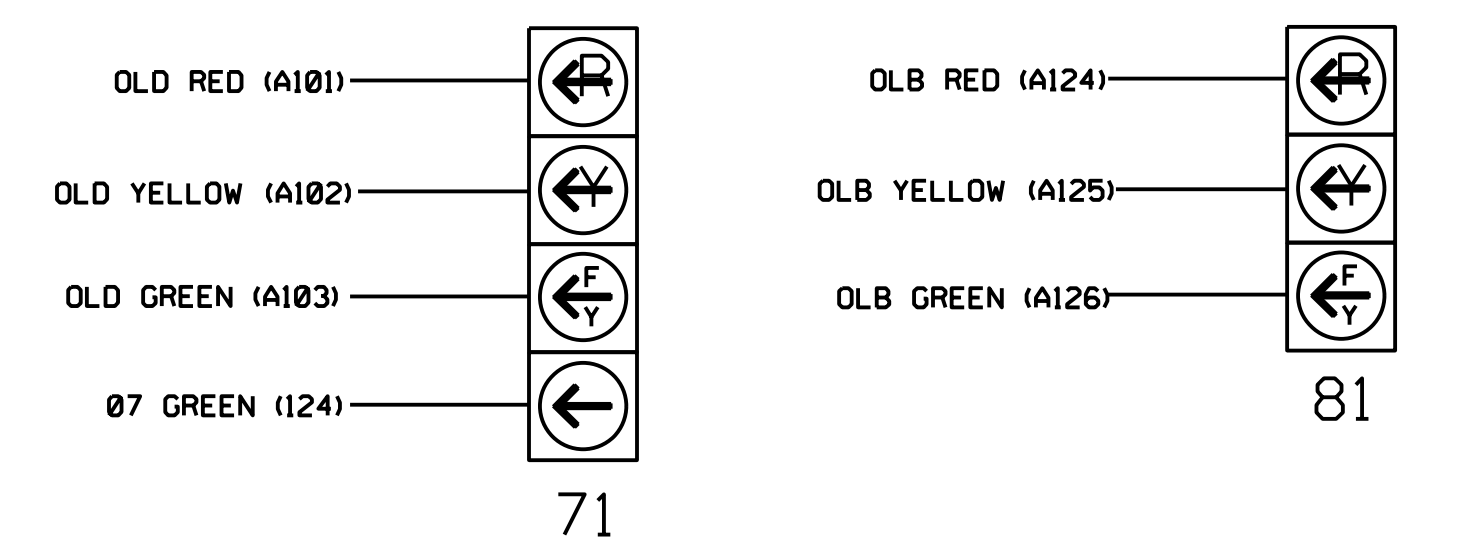
NOTE:
 INSTALL DC ISOLATORS IN INPUT FILE SLOT 113.

¹Add jumper from J5-W to 18-W, on rear of input file.



FYA SIGNAL WIRING DETAIL

(wire signal heads as shown)



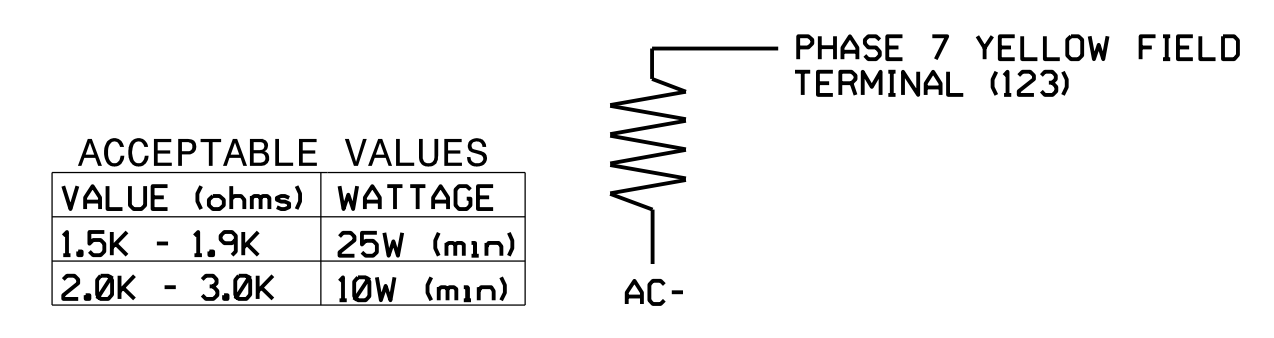
COUNTDOWN PEDESTRIAN SIGNAL OPERATION

Countdown Ped Signals are required to display timing only during Ped Clearance Interval. Consult Ped Signal Module user's manual for instructions on selecting this feature.

THIS ELECTRICAL DETAIL IS FOR THE SIGNAL DESIGN: 06-0767
 DESIGNED: June 2019
 SEALED: 6/5/2019
 REVISED: N/A

LOAD RESISTOR INSTALLATION DETAIL

(install resistor as shown)



Final Design
 Electrical Detail - Sheet 1 of 2

US 401 (Raeford Rd.)
 at
 Chilton Dr / Rayconda Rd
 Division 6 Cumberland County Fayetteville
 PLAN DATE: March 2018 REVIEWED BY: L Overn
 PREPARED BY: R M Muncy REVIEWED BY:
 REVISIONS: INIT. DATE

SEAL
 NORTH CAROLINA
 PROFESSIONAL ENGINEER
 LAWRENCE E. OVERN
 6/5/2019
 DATE
 SIG. INVENTORY NO. 06-0767