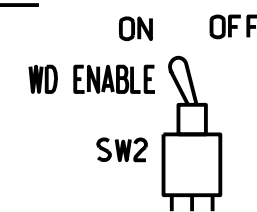
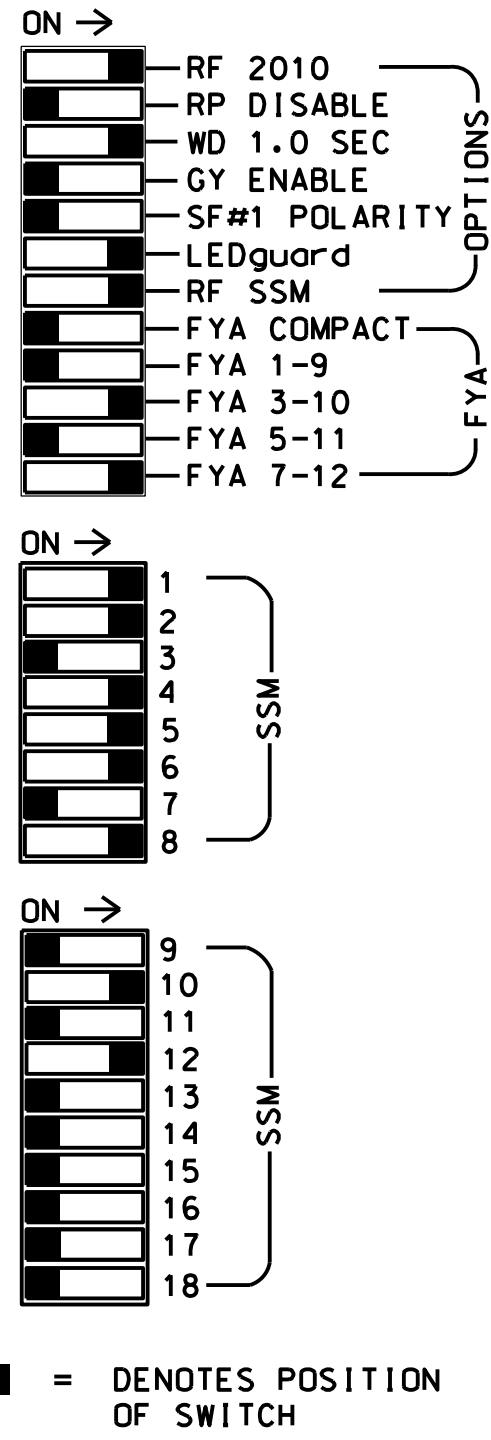
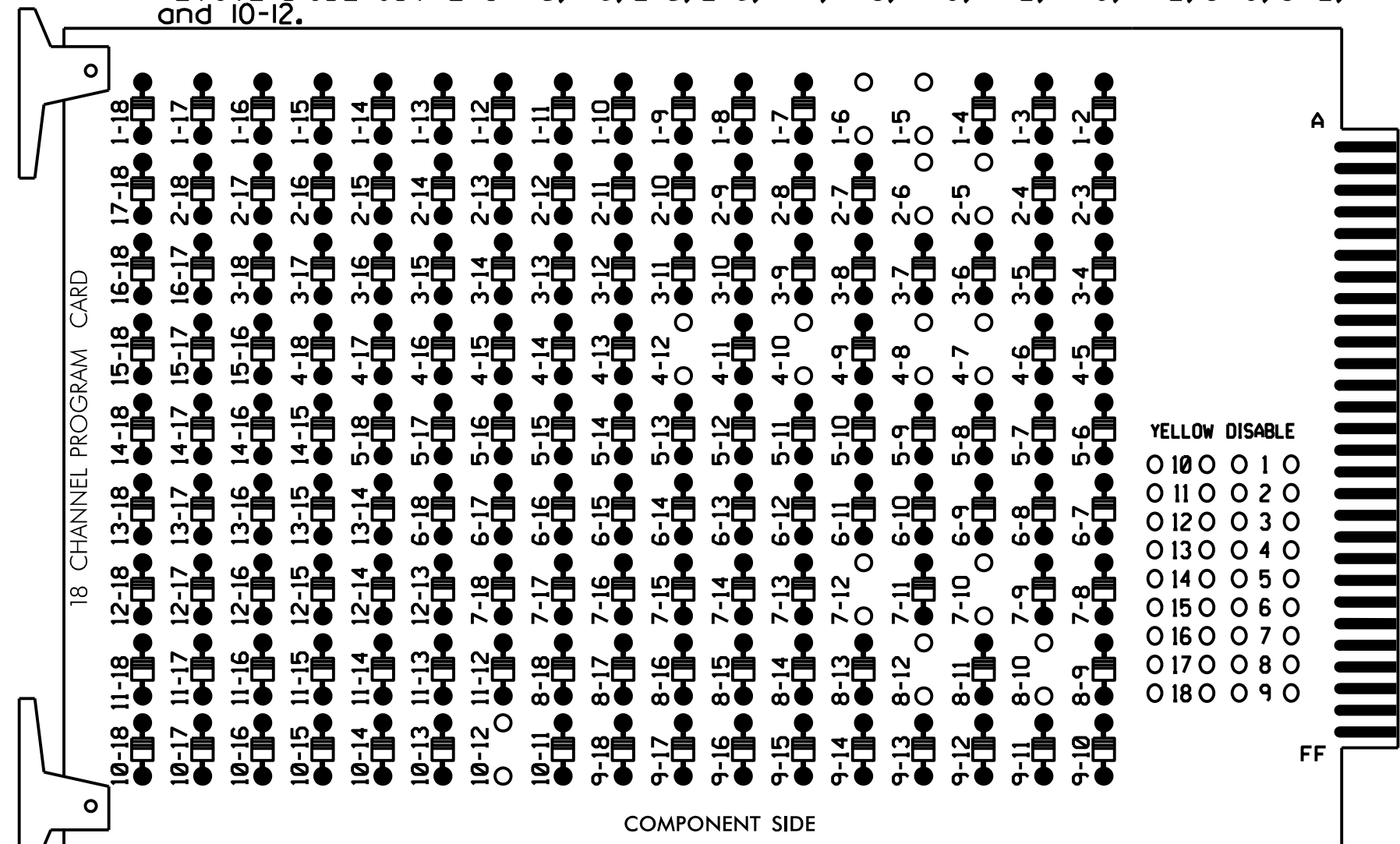


EDI MODEL 2018EClip-NC CONFLICT MONITOR PROGRAMMING DETAIL

(remove jumpers and set switches as shown)



REMOVE DIODE JUMPERS 1-5, 1-6, 2-5, 2-6, 4-7, 4-8, 4-10, 4-12, 7-10, 7-12, 8-10, 8-12, and 10-12.



REMOVE JUMPERS AS SHOWN

NOTES:

- Card is provided with all diode jumpers in place. Removal of any jumper allows its channels to run concurrently.
- Ensure jumpers SEL2-SEL5 and SEL9 are present on the monitor board.
- Ensure that Red Enable is active at all times during normal operation.
- Integrate monitor with Ethernet network in cabinet.

NOTES

- To prevent "flash-conflict" problems, insert red flash program blocks for all unused vehicle load switches in the output file. The installer shall verify that signal heads flash in accordance with the Signal Plans.
- Program phases 4 and 8 for Dual Entry.
- Program controller to start up in phase 2 Green and 6 Green.
- The cabinet and controller are part of the Fayetteville Signal System.

EQUIPMENT INFORMATION

CONTROLLER.....2070
 CABINET.....332 W/AUX
 SOFTWARE.....ECONOLITE ASC/3-2070
 CABINET MOUNT.....BASE
 OUTPUT FILE POSITIONS...18 WITH AUX. OUTPUT FILE
 LOAD SWITCHES USED.....S1,S2,S5,S7,S8,S10,
 S11,AUX S2,AUX S5
 PHASES USED.....1,2,4,5,6,7,8
 OVERLAP "A".....NOT USED
 OVERLAP "B".....*
 OVERLAP "C".....NOT USED
 OVERLAP "D".....*
 * See overlap programming detail on sheet 2

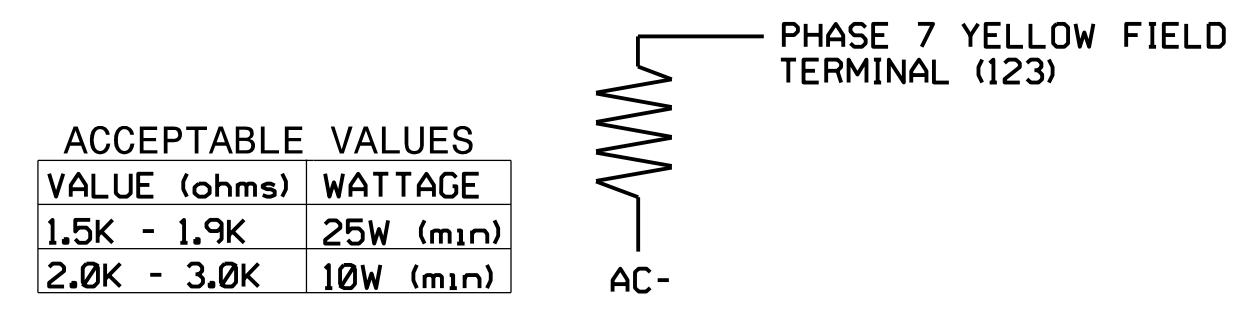
SIGNAL HEAD HOOK-UP CHART

LOAD SWITCH NO.	S1	S2	S3	S4	S5	S6	S7	S8	S9	S10	S11	S12	AUX S1	AUX S2	AUX S3	AUX S4	AUX S5	AUX S6		
CMU CHANNEL NO.	1	2	13	3	4	14	5	6	15	7	8	16	9	10	17	11	12	18		
PHASE	1	2	2 PED	3	4	4 PED	5	6	6 PED	7	8	8 PED	OLA	OLB	SPARE	OLC	OLD	SPARE		
SIGNAL HEAD NO.	11	21,22	NU	NU	41,42	NU	51	61,62,63	NU	71*	82,83	NU	NU	81*	NU	NU	71*	NU		
RED		128			101			134			107									
YELLOW		129			102			135		*	108									
GREEN		130			103			136			109									
RED ARROW	125							131										A124	A101	
YELLOW ARROW	126							132											A125	A102
FLASHING YELLOW ARROW																			A126	A103
GREEN ARROW	127							133			124									

NU = Not Used
 * Denotes install load resistor. See load resistor installation detail this sheet.
 * See pictorial of head wiring in detail this sheet.

LOAD RESISTOR INSTALLATION DETAIL

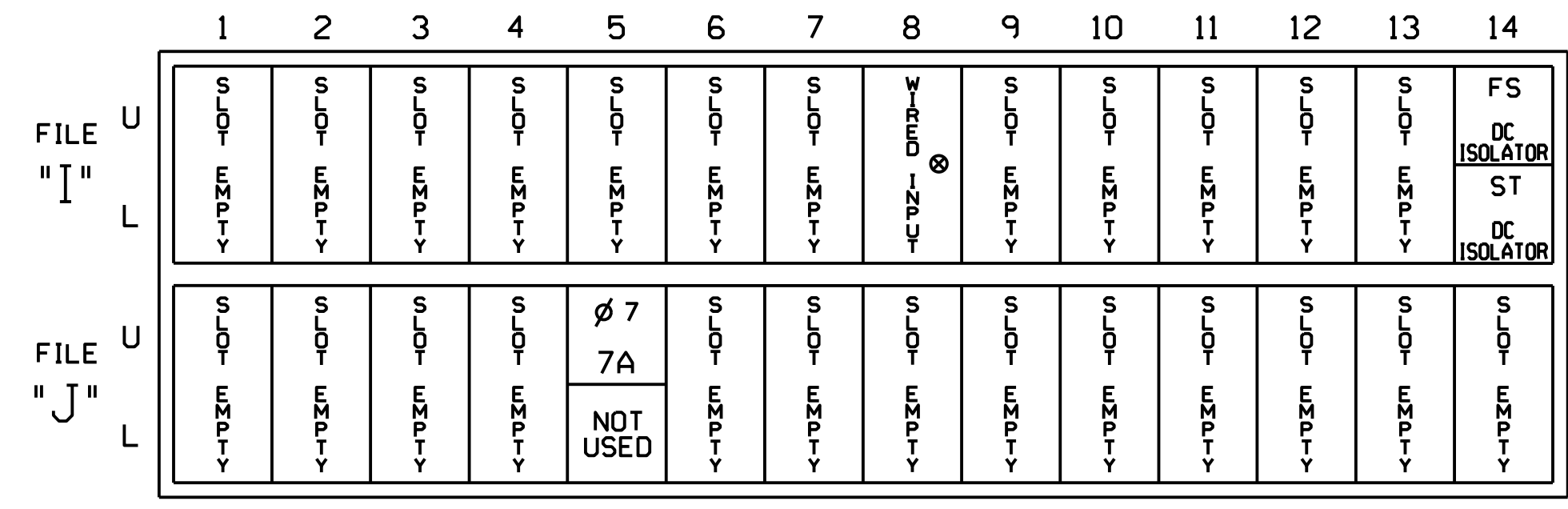
(install resistor as shown)



VALUE (ohms)	WATTAGE
1.5K - 1.9K	25W (min)
2.0K - 3.0K	10W (min)

INPUT FILE POSITION LAYOUT

(front view)



EX.: 1A, 2A, ETC. = LOOP NO.'S
 FS = FLASH SENSE
 ST = STOP TIME

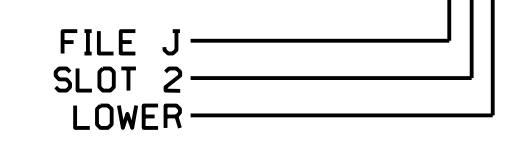
⊗ Wired Input - Do not populate slot with detector card

INPUT FILE CONNECTION & PROGRAMMING CHART

LOOP NO.	LOOP TERMINAL	INPUT FILE POS.	PIN NO.	DETECTOR NO.	NEMA PHASE	CALL	EXTEND TIME	DELAY TIME	ADDED INITIAL	DETECTOR TYPE
7A ¹	-	J5U	57	7	7	YES		15		S
	-	I8U	49	24	4	YES		3		S

¹Add jumper from J5-W to I8-W, on rear of input file.

INPUT FILE POSITION LEGEND: J2L

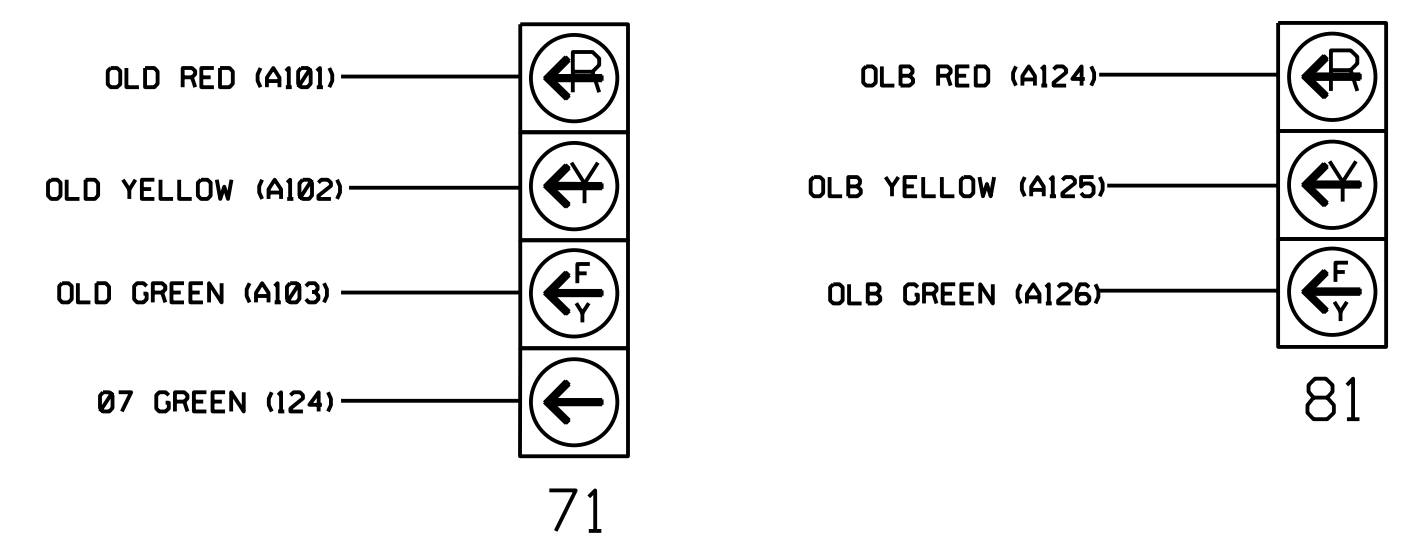


DETECTOR NOTES

- For all loops install a video detection system for vehicle detection. Perform installation according to manufacturer's directions and NCDOT engineer-approved mounting locations to accomplish the detection schemes shown on the Signal Design Plans.
- For loop 7A detector card placements and slots reserved for wired inputs are typical for a NCDOT installation.

SIGNAL WIRING DETAIL

(wire signal heads as shown)



THIS ELECTRICAL DETAIL IS FOR THE SIGNAL DESIGN: 06-076712
 DESIGNED: June 2019
 SEALED: 6/5/2019
 REVISED: N/A

Temporary Design 2- TMP Phase III
 Electrical Detail - Sheet 1 of 2

<p>Stantec Consulting Services Inc. 801 Jones Franklin Road-Suite 300 Raleigh, NC 27606 Tel. (919) 851-6866 Fax. (919) 851-7024 www.stantec.com License No. F-0672</p>		US 401 (Raeford Rd.) at Chilton Dr / Rayconda Rd	
		Division 6 Cumberland County Fayetteville	SEAL 045933 ENGINEER
ELECTRICAL AND PROGRAMMING DETAILS FOR:		PLAN DATE: June 2019 REVIEWED BY: L Overn	PREPARED BY: R M Muncey REVIEWED BY:
REVISIONS		INIT. DATE	SEAL NORTH CAROLINA PROFESSIONAL ENGINEER LAWRENCE E. OVERN
DOCUMENT NOT CONSIDERED FINAL UNLESS ALL SIGNATURES COMPLETED		6/5/2019	SIG. INVENTORY NO. 06-076712

DATE: U:\Projects\Signal\Signal\Detail\U-4405A\Temporary_Signals\U-4405A_Sig.dwg, 06-076712.dgn
 User: jhombert