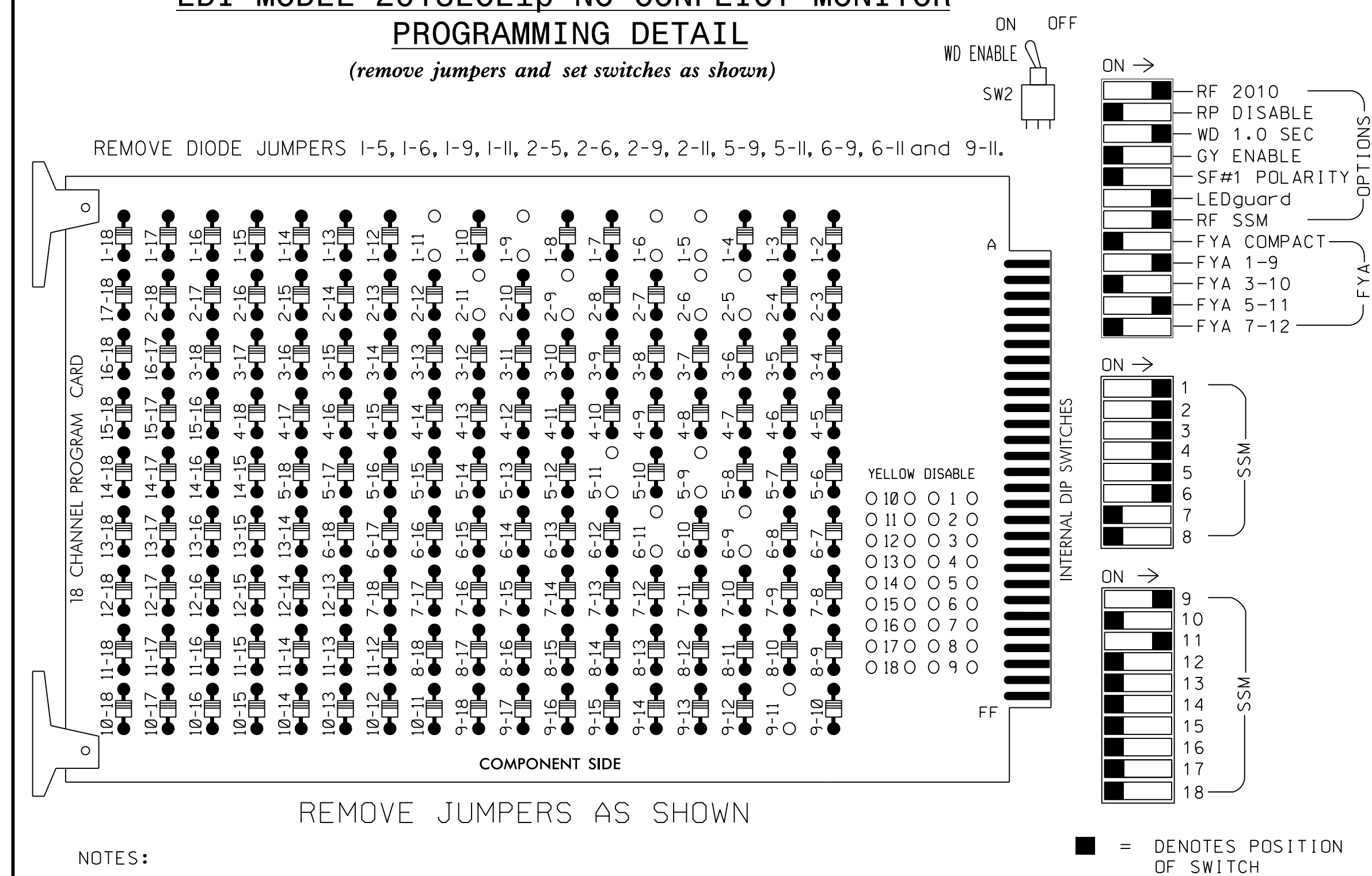


EDI MODEL 2018EClip-NC CONFLICT MONITOR PROGRAMMING DETAIL

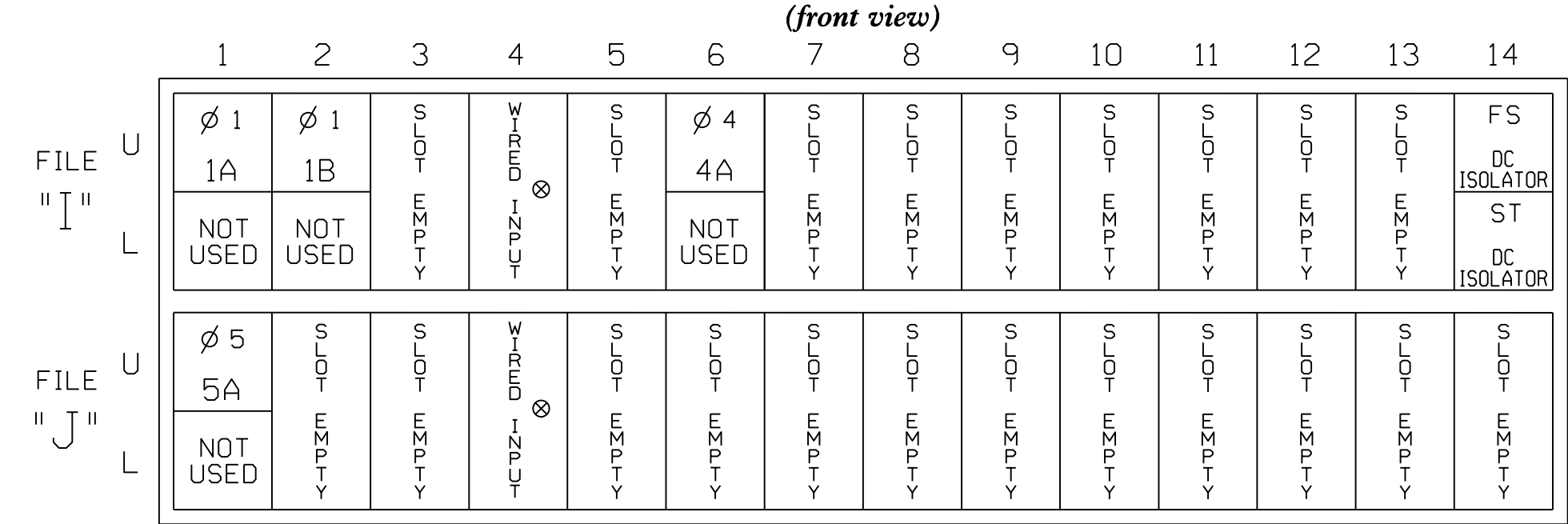
(remove jumpers and set switches as shown)



NOTES:

- Card is provided with all diode jumpers in place. Removal of any jumper allows its channels to run concurrently.
- Ensure jumpers SEL2-SEL5 and SEL9 are present on the monitor board.
- Ensure that Red Enable is active at all times during normal operation.
- Integrate monitor with Ethernet network in cabinet.

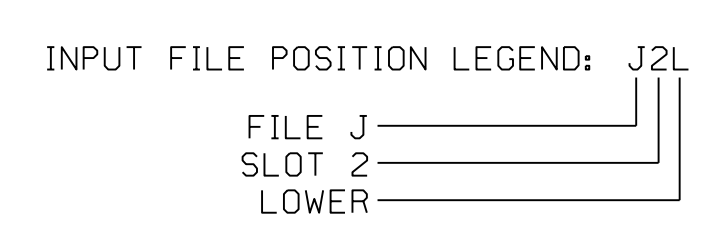
INPUT FILE POSITION LAYOUT (front view)



INPUT FILE CONNECTION & PROGRAMMING CHART

LOOP NO.	LOOP TERMINAL	INPUT FILE POS.	PIN NO.	DETECTOR NO.	NEMA PHASE	CALL	EXTEND TIME	DELAY TIME	ADDED INITIAL	DETECTOR TYPE
1A ¹	-	I1U	56	1	1	YES		15		S
	-	J4U	48	26	6	YES		3		G
1B	TB2-5,6	I2U	39	2	2	YES				S
4A	TB4-9,10	I6U	41	4	4	YES				S
5A ²	-	J1U	55	5	5	YES		15		S
	-	I4U	47	22	2	YES		3		G

¹Add jumper from I1-W to J4-W, on rear of input file.
²Add jumper from J1-W to I4-W, on rear of input file.



NOTES

- To prevent "flash-conflict" problems, insert red flash program blocks for all unused vehicle load switches in the output file. The installer shall verify that signal heads flash in accordance with the Signal Plans.
- Program controller to start up in phase 2 Green and 6 Green.
- The cabinet and controller are part of the Fayetteville Signal System.

SIGNAL HEAD HOOK-UP CHART

	S1	S2	S3	S4	S5	S6	S7	S8	S9	S10	S11	S12	AUX S1	AUX S2	AUX S3	AUX S4	AUX S5	AUX S6
CMU CHANNEL NO.	1	2	13	3	4	14	5	6	15	7	8	16	9	10	17	11	12	18
PHASE	1	2	2 PED	3	4	4 PED	5	6	6 PED	7	8	8 PED	OLA	OLB	SPARE	OLC	OLD	SPARE
SIGNAL HEAD NO.	11★	42	21,22	NU	31	32	33	41	42	22	NU	51★	33	61,62	NU	NU	NU	NU
RED	*	128		116	116	101	101				*	134						
YELLOW		129		117	117	102	102					135						
GREEN		130		118	118	103	103					136						
RED ARROW				116											A121			A114
YELLOW ARROW	126			117				102			132				A122			A115
FLASHING YELLOW ARROW															A123			A116
GREEN ARROW	127	127		118	118	103	103	133	133									

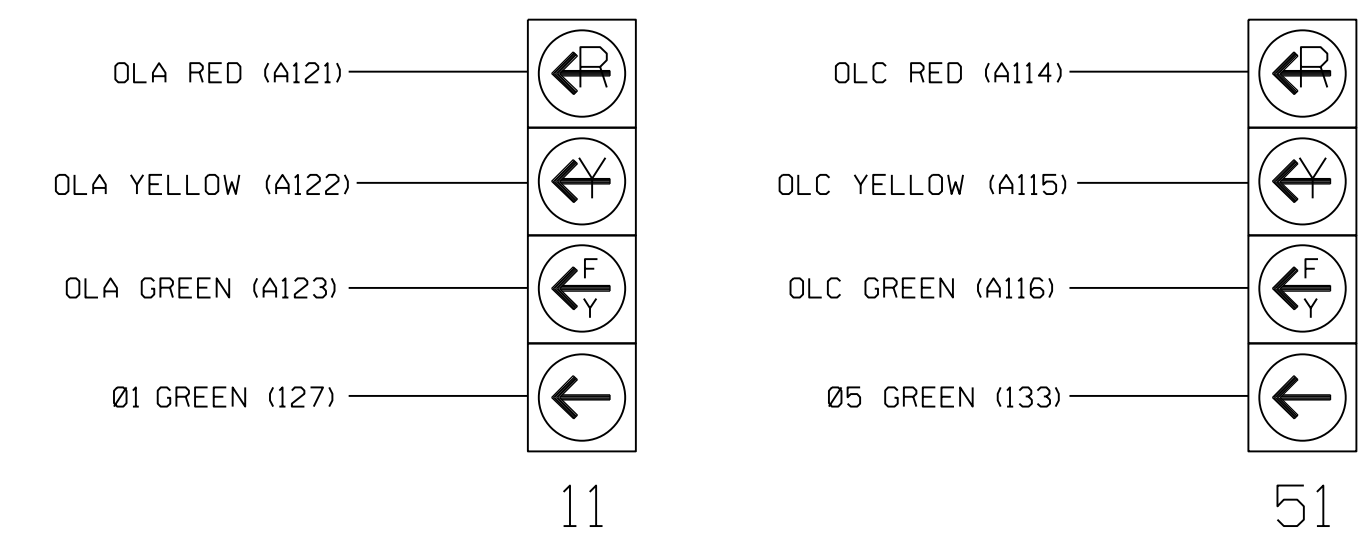
NU = Not Used
* Denotes install load resistor. See load resistor installation detail this sheet.
★ See pictorial of head wiring in detail this sheet.

EQUIPMENT INFORMATION

CONTROLLER.....2070
CABINET.....332 W/AUX
SOFTWARE.....ECONOLITE ASC/3-2070
CABINET MOUNT.....BASE
OUTPUT FILE POSITIONS...18 WITH AUX.
LOAD SWITCHES USED.....S1,S2,S4,S5,S7,S8
AUX S1,AUX S4
PHASES USED.....1,2,3,4,5,6
OVERLAP "A".....*
OVERLAP "B".....NOT USED
OVERLAP "C".....*
OVERLAP "D".....NOT USED
* See overlap programming detail on sheet 2

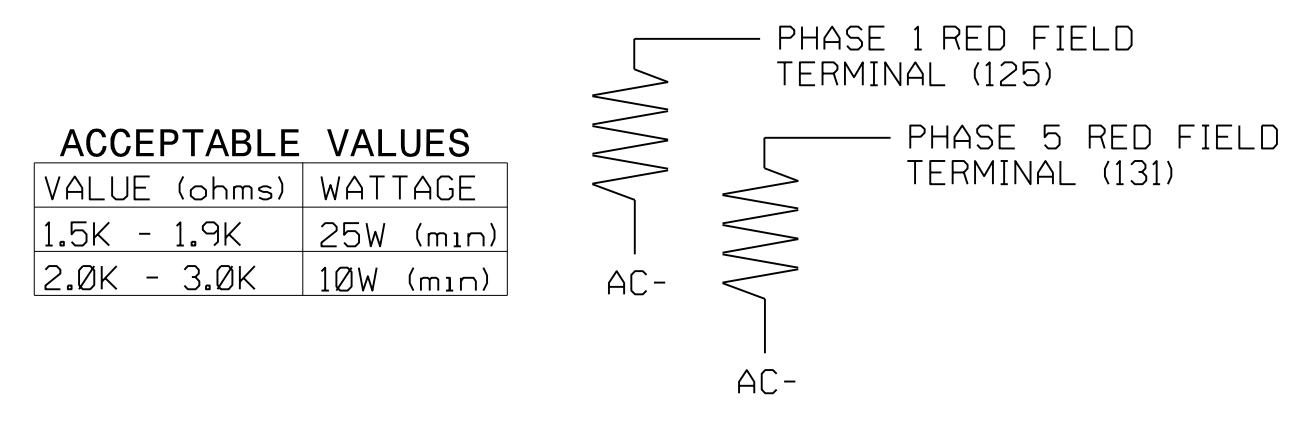
FYA SIGNAL WIRING DETAIL

(wire signal heads as shown)



LOAD RESISTOR INSTALLATION DETAIL

(install resistors as shown)



THIS ELECTRICAL DETAIL IS FOR THE SIGNAL DESIGN: 06-0845T1
DESIGNED: July 2021
SEALED: 7/9/2021
REVISED: N/A

THIS PLAN SUPERSEDES THE PLAN SIGNED AND SEALED ON 06/05/2019

DETECTOR NOTES

- For all loops, install a video detection system for vehicle detection. Perform installation according to manufacturer's directions and NCDOT engineer-approved mounting locations to accomplish the detection schemes shown on the Signal Design Plans.
- For loops 1A and 5A detector card placements and slots reserved for wired inputs are typical for a NCDOT installation.

Temporary Design 1 - TMP Phase II Electrical Detail - Sheet 1 of 2

DOCUMENT NOT CONSIDERED FINAL UNLESS ALL SIGNATURES COMPLETED

Stantec Consulting Services Inc.
801 Jones Franklin Road-Suite 300
Raleigh, NC 27606
Tel. (919) 851-6866
Fax. (919) 851-7024
www.stantec.com
License No. F-0672

Prepared in the Offices of:
NORTH CAROLINA PROFESSIONAL ENGINEERING REGISTRATION BOARD
REGINA M. MUNCEY
750 N. Greenfield Pkwy, Garner, NC 27529

US 401 (South Raeford Road) at SR 3569 (Raeford Rd- Old US 401)/Bentridge Ln.
Division 6 Cumberland County Fayetteville

PLAN DATE: July 2021 REVIEWED BY: L Overn
PREPARED BY: R M Muncey REVIEWED BY:

REVISIONS	INIT.	DATE

SEAL
NORTH CAROLINA PROFESSIONAL ENGINEERING REGISTRATION BOARD
REGINA M. MUNCEY
43239
DATE: 06-0845T1

9:54:35 AM
U:\Projects\Signal\Signal\Local Details - U-4405A - Revised\Temporary Signal\sig.ele.06-0845T1.dgn
User: jhambright