

PROJECT REFERENCE NO.	SHEET NO.
U-4405A	EC-21/CONST.06
RW SHEET NO.	
ROADWAY DESIGN ENGINEER	HYDRAULICS ENGINEER

NC GRID
NAD 83/NA 2011

NOTES: ANY DEVIATION FROM OPTIONS GIVEN WILL REQUIRE PRIOR APPROVAL BY ENGINEER.

ADDITIONAL EROSION CONTROL DEVICES MAY NEED TO BE INSTALLED AS DIRECTED.

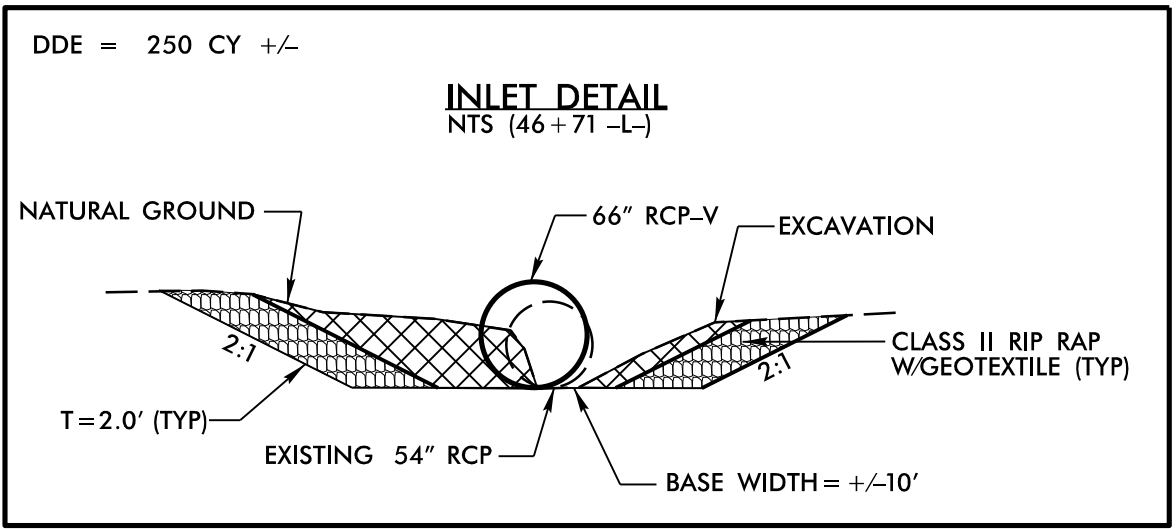
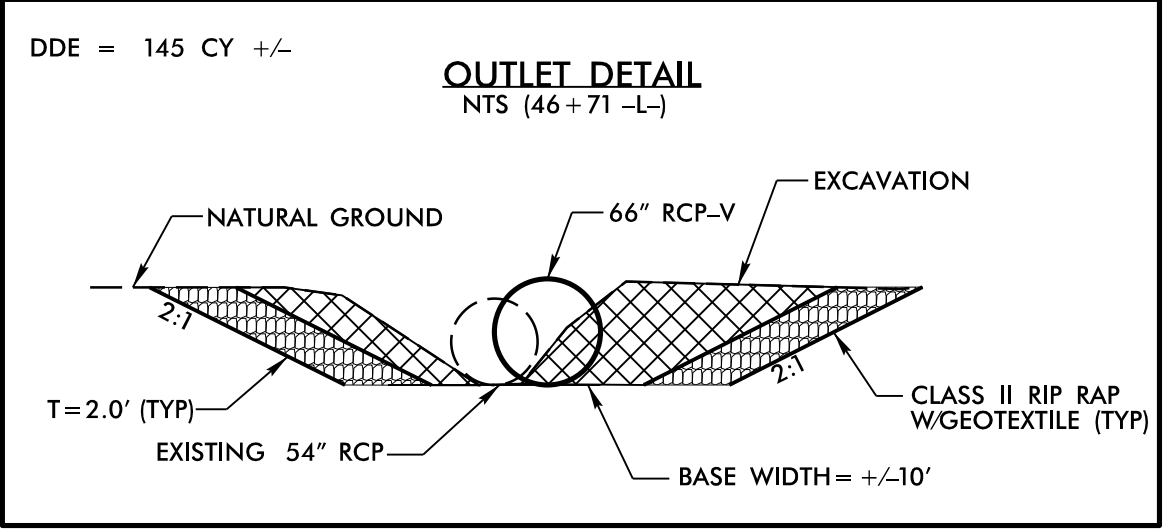
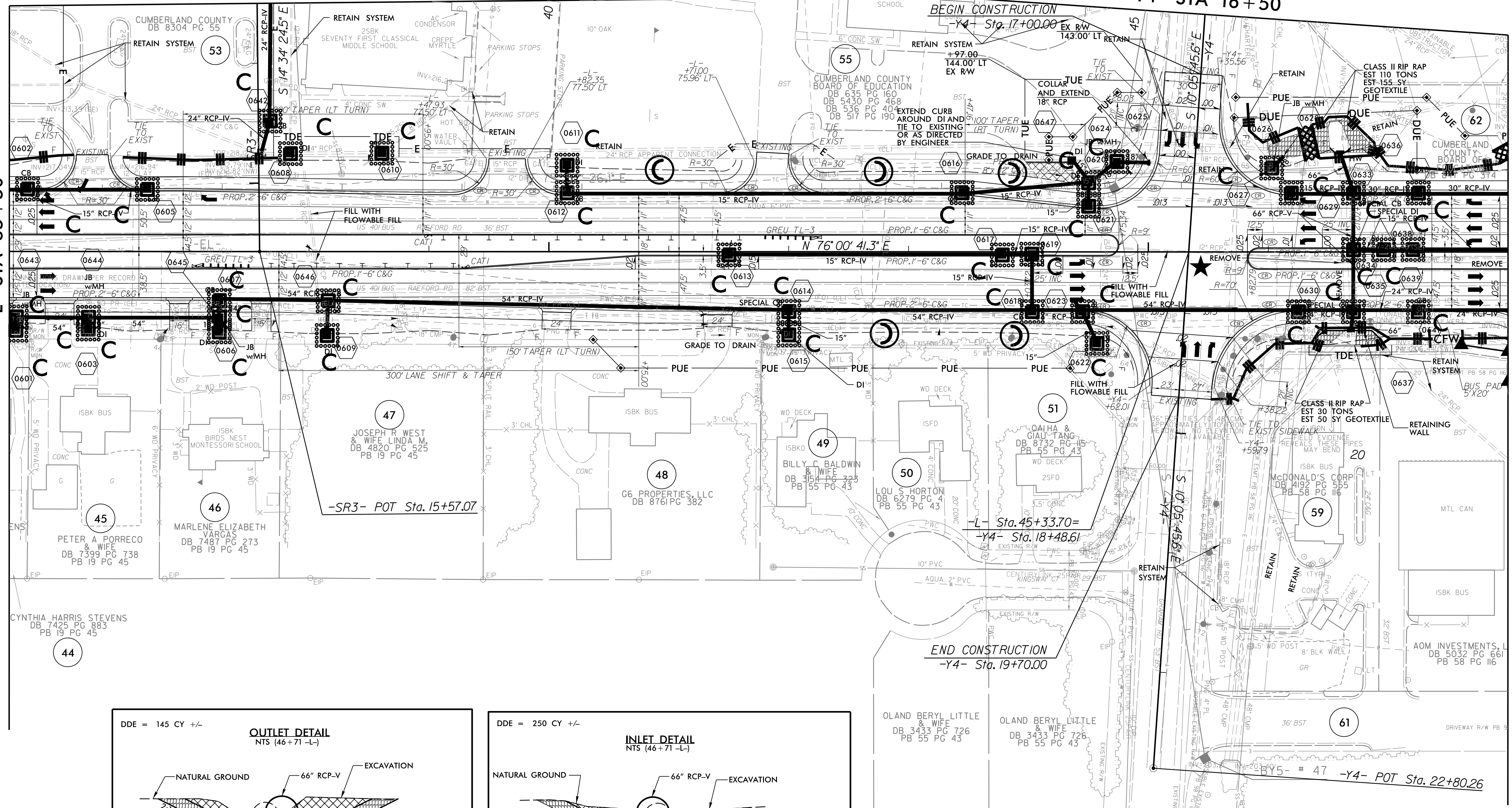
INSTALL FABRIC INSERT INLET PROTECTION DEVICE IN LIEU OF ROCK INLET SEDIMENT TRAP TYPE 'C' AS DIRECTED TO AVOID PONDING OF RUNOFF IN ROADWAY OPEN TO PUBLIC TRAFFIC

MATCHLINE SEE SHEET 28
-SR3- STA 13+50

MATCHLINE SEE SHEET 28
-Y4- STA 16+50

MATCHLINE SEE SHEET 5
-L- STA 35+50

MATCHLINE SEE SHEET 7
-L- STA 48+00



★ PROPOSED SIGNAL

██ PROP CONC SIDEWALK

** A DESIGN EXCEPTION FOR LANE WIDTH IS REQUIRED FOR -L- STA. 38+95.00 TO -L- 319+95.00

NOTE: SEE SHEET 33&34 FOR -L- PROFILE
SEE SHEET 46 FOR -Y4- PROFILE

REVISIONS

8/17/99

7/6/2021
U-4405-REV-EC-psd-Final.dgn