

PROJECT REFERENCE NO.	SHEET NO.
U-4405A	EC-08/CONST.06
RW SHEET NO.	
ROADWAY DESIGN ENGINEER	HYDRAULICS ENGINEER

NC GRID
NAD 83/NA 2011

CLEARING AND GRUBBING
EROSION CONTROL FOR
CONSTRUCTION SHEET 06

NOTE:
PLACE TEMPORARY ROCK SEDIMENT DAMS TYPE - B
AND TEMPORARY ROCK SILT CHECKS TYPE - A AT
DRAINAGE OUTLETS.

NOTES: ANY DEVIATION FROM OPTIONS GIVEN WILL
REQUIRE PRIOR APPROVAL BY ENGINEER.

ADDITIONAL EROSION CONTROL DEVICES MAY
NEED TO BE INSTALLED AS DIRECTED.

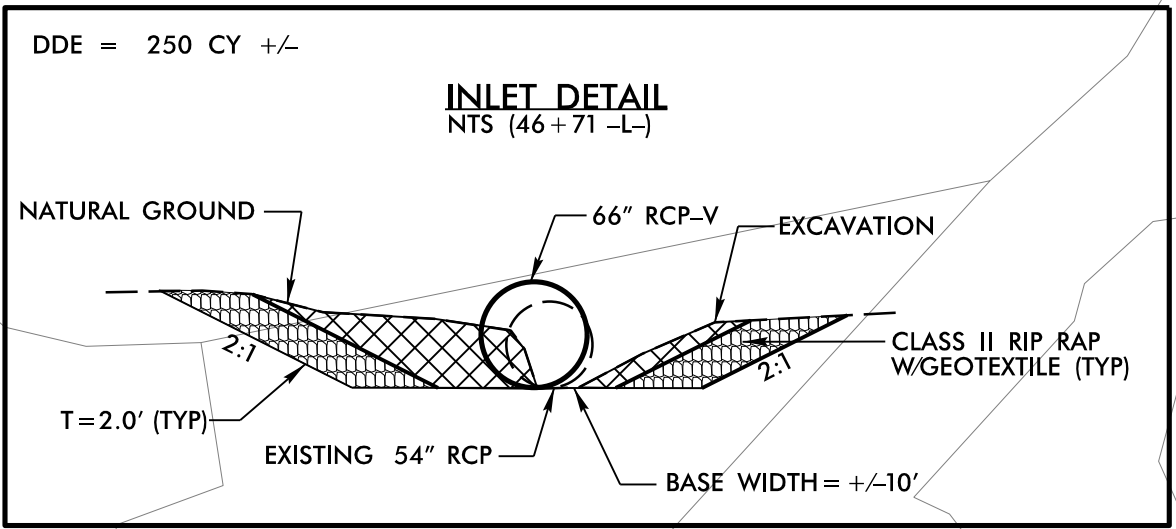
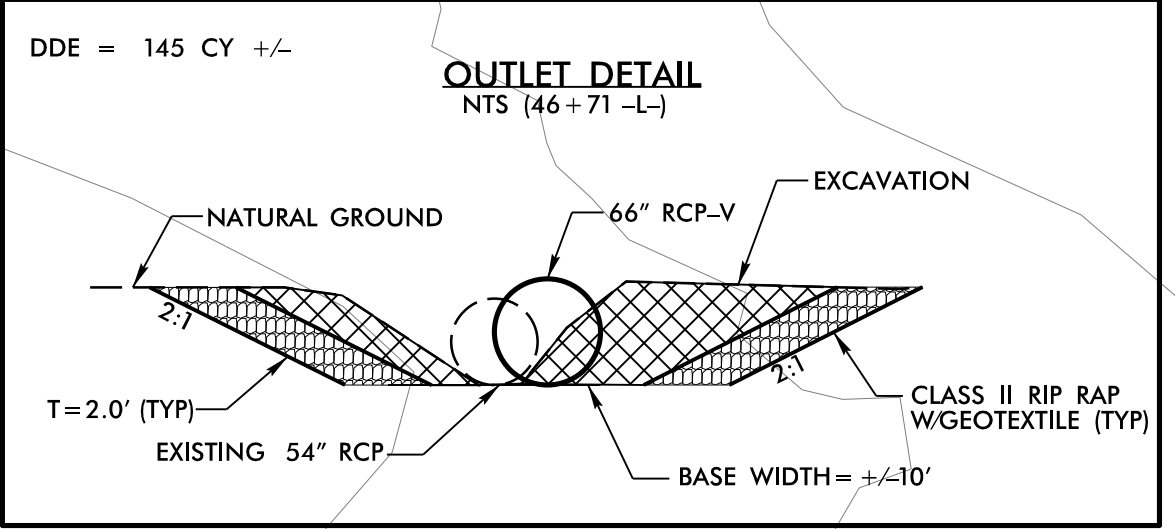
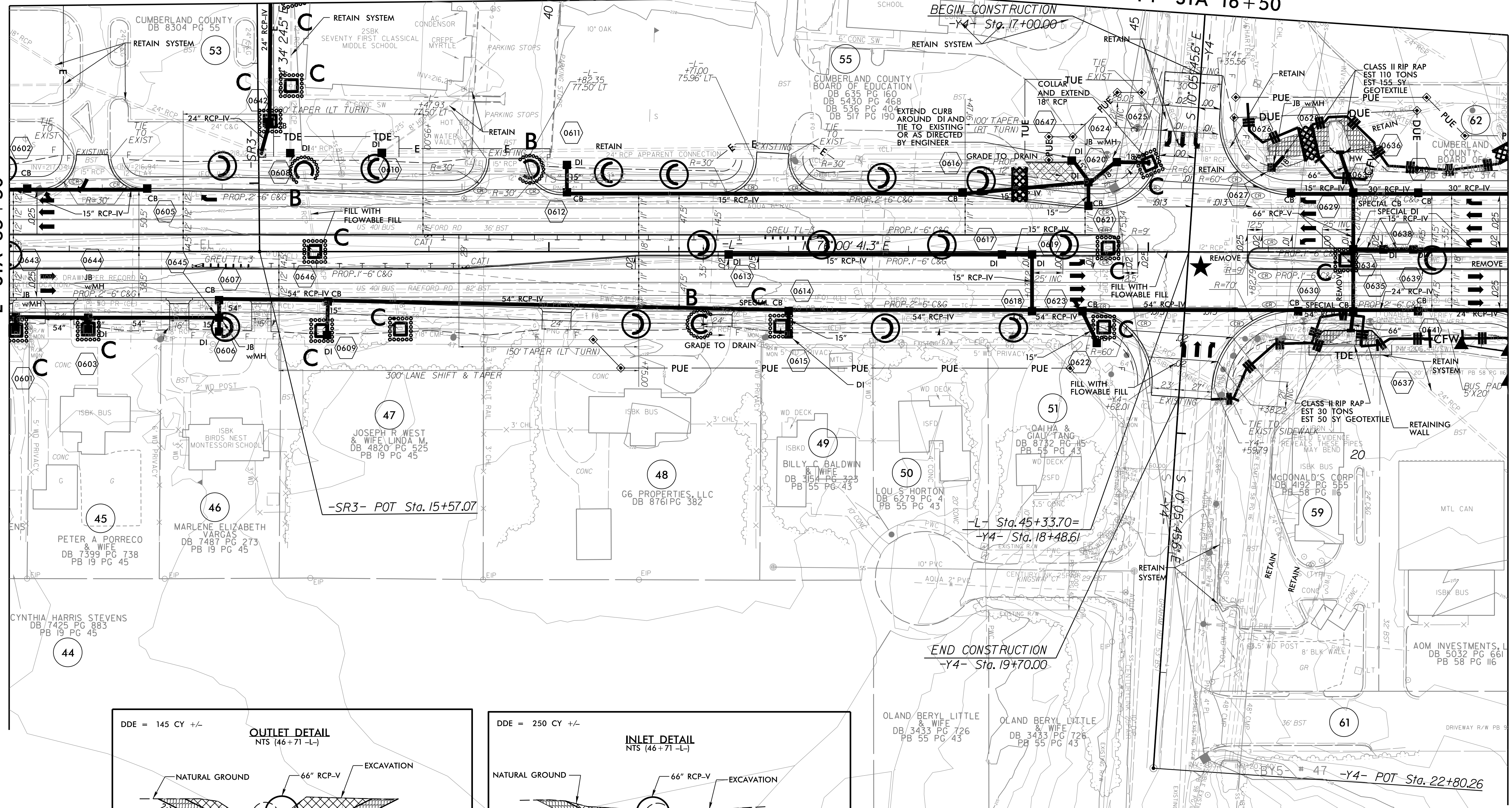
INSTALL FABRIC INSERT INLET PROTECTION
DEVICE IN LIEU OF ROCK INLET SEDIMENT
TRAP TYPE 'C' AS DIRECTED TO AVOID
PONDING OF RUNOFF IN ROADWAY OPEN TO
PUBLIC TRAFFIC

MATCHLINE SEE SHEET 28
-SR3- STA 13+50

MATCHLINE SEE SHEET 28
-Y4- STA 16+50

MATCHLINE SEE SHEET 5
-L- STA 35+50

MATCHLINE SEE SHEET 7
-L- STA 48+00



★ PROPOSED SIGNAL

██ PROP CONC SIDEWALK

** A DESIGN EXCEPTION FOR LANE WIDTH IS
REQUIRED FOR -L- STA. 38+95.00 TO -L- 319+95.00

NOTE: SEE SHEET 33&34 FOR -L- PROFILE
SEE SHEET 46 FOR -Y4- PROFILE

REVISIONS

8/17/99

7/6/2021
U-4405-REV-EC-psd-CG.dgn
JSE/ELC/mt