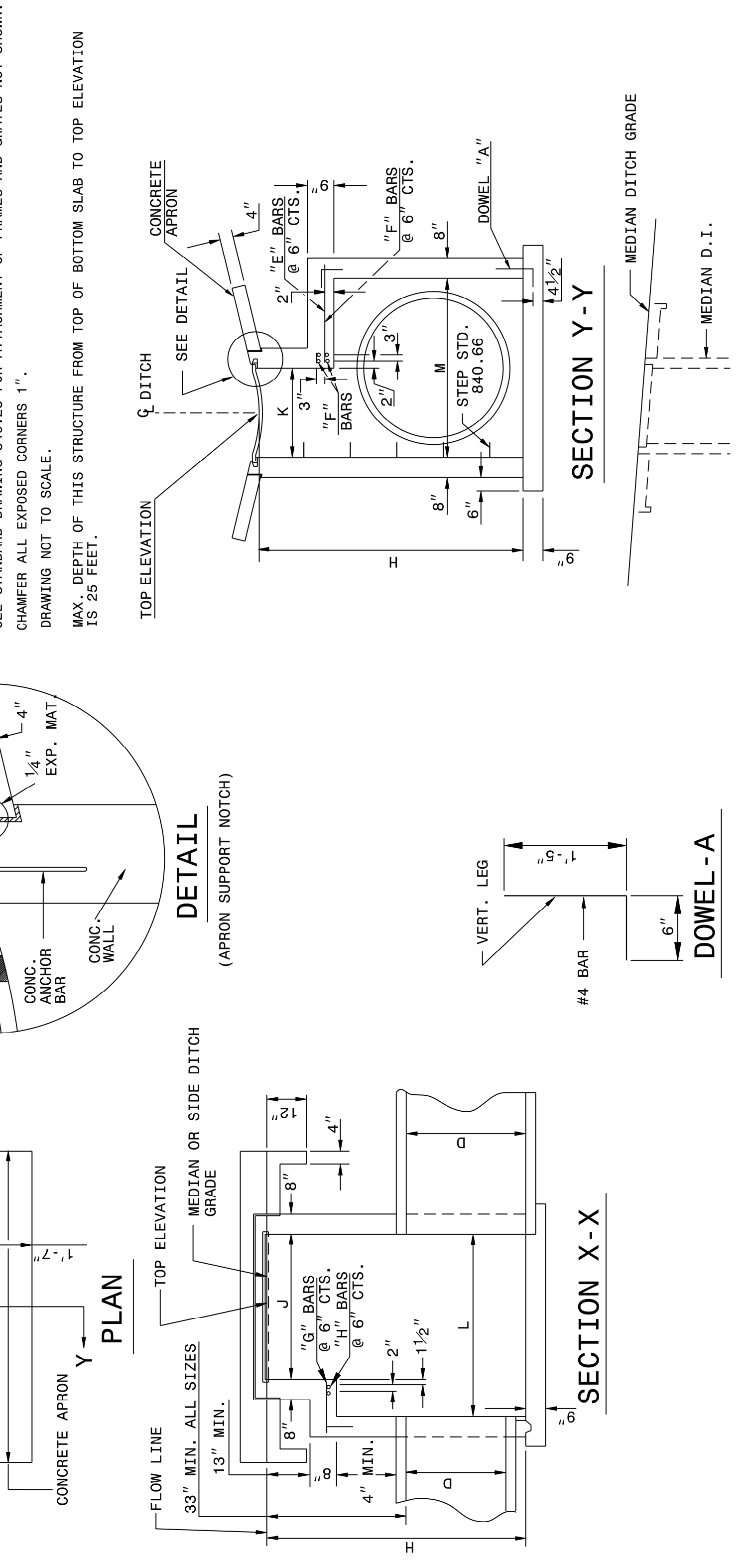
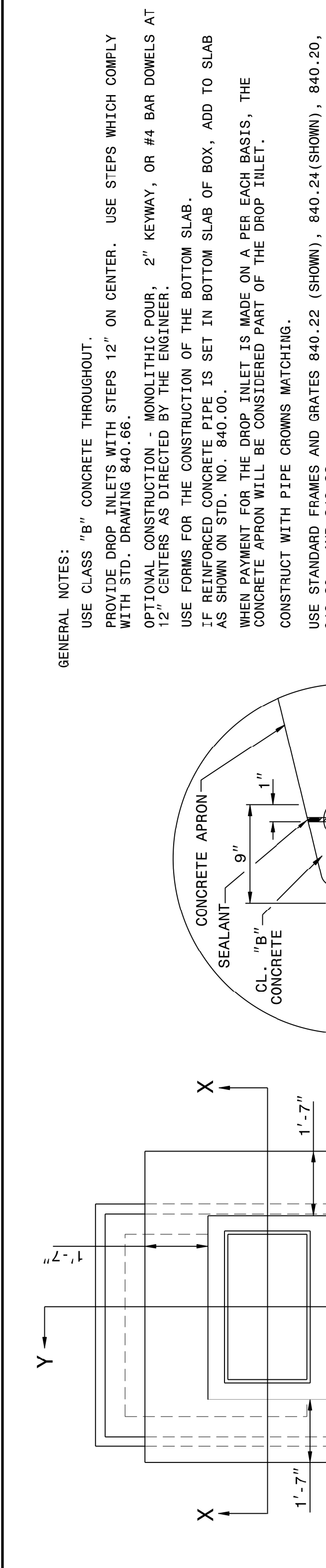


01-MAR-2018 07:33 S:\Contracts\Projects\Stand\840d17 Extra Depth 2GI.dgn J:\power-ton AT_CSD-292595

STATE OF NORTH CAROLINA
DEPT. OF TRANSPORTATION
DIVISION OF HIGHWAYS
RALEIGH, N.C.

ENGLISH DETAIL DRAWING FOR
CONCRETE MEDIAN DROP INLET TYPE 'A'
EXTRA DEPTH OVER 12' TO 25'
12" THRU 72" PIPE

SHEET 1 OF 2
840D17



STATE OF NORTH CAROLINA
DEPT. OF TRANSPORTATION
DIVISION OF HIGHWAYS
RALEIGH, N.C.

ENGLISH DETAIL DRAWING FOR
CONCRETE MEDIAN DROP INLET TYPE 'A'
EXTRA DEPTH OVER 12' TO 25'
12" THRU 72" PIPE

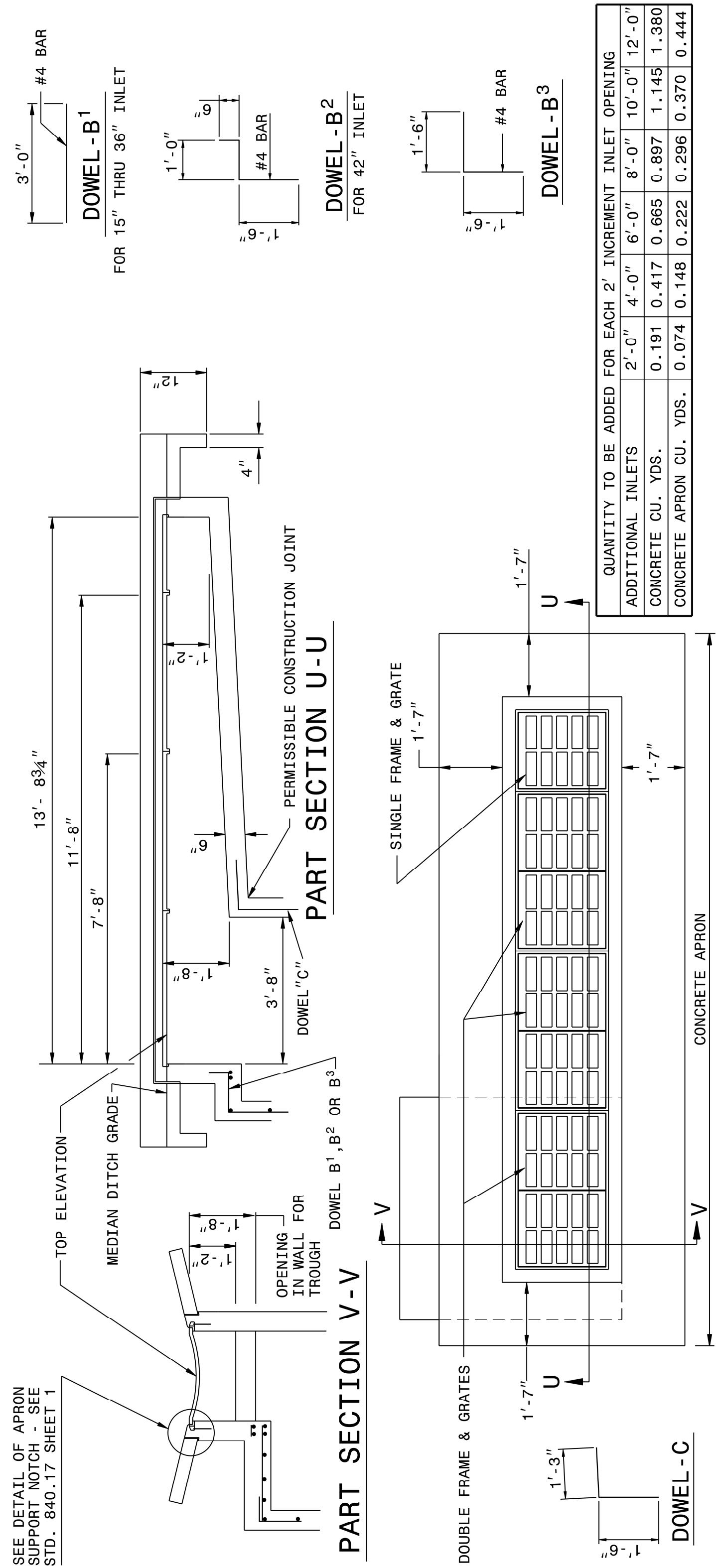
SHEET 1 OF 2
840D17

GENERAL NOTES:
USE CLASS "B" CONCRETE THROUGHOUT.
PROVIDE DROP INLETS WITH STEPS 12" ON CENTER. USE STEPS WHICH COMPLY WITH STD. DRAWING 840.66.
OPTIONAL CONSTRUCTION - MONOLITHIC POUR, 2" KEYWAY, OR #4 BAR DOWELS AT 12" CENTERS AS DIRECTED BY THE ENGINEER.
USE FORMS FOR THE CONSTRUCTION OF THE BOTTOM SLAB.
IF REINFORCED CONCRETE PIPE IS SET IN BOTTOM SLAB OF BOX, ADD TO SLAB AS SHOWN ON STD. NO. 840.00.
WHEN PAYMENT FOR THE DROP INLET IS MADE ON A PER EACH BASIS, THE CONCRETE APRON WILL BE CONSIDERED PART OF THE DROP INLET.
CONSTRUCT WITH PIPE CROWNS MATCHING.
USE STANDARD FRAMES AND GRATES 840.22 (SHOWN), 840.24 (SHOWN), 840.20, 840.29, AND 840.33.
SEE STANDARD DRAWING 840.25 FOR ATTACHMENT OF FRAMES AND GRATES NOT SHOWN.
CHAMFER ALL EXPOSED CORNERS 1".
DRAWING NOT TO SCALE.
MAX. DEPTH OF THIS STRUCTURE FROM TOP OF BOTTOM SLAB TO TOP ELEVATION IS 25 FEET.

STATE OF NORTH CAROLINA
DEPT. OF TRANSPORTATION
DIVISION OF HIGHWAYS
RALEIGH, N.C.

ENGLISH DETAIL DRAWING FOR
CONCRETE MEDIAN DROP INLET TYPE 'A'
EXTRA DEPTH OVER 12' TO 25'
12" THRU 72" PIPE

SHEET 2 OF 2
840D17



PIPE	DIMENSIONS OF BOX AND PIPE		REINFORCING STEEL - NO. 4 BARS										DEDUCTIONS FOR ONE PIPE				
	SPAN	WIDTH	NO.	LENGTH	NO.	LENGTH	NO.	LENGTH	NO.	LENGTH	NO.	LENGTH	H	PER FT	TOTAL	C. S.	R. C.
12"	3'-8"	2'-0"	3	3'-8"	3	3'-8"	3	3'-8"	3	3'-8"	3	3'-8"	0.362	0.926	1.683	0.015	0.024
15"	3'-8"	2'-0"	3	3'-8"	3	3'-8"	3	3'-8"	3	3'-8"	3	3'-8"	0.362	0.988	1.745	0.023	0.036
18"	3'-8"	2'-0"	3	3'-8"	3	3'-8"	3	3'-8"	3	3'-8"	3	3'-8"	0.362	1.050	1.807	0.033	0.049
24"	3'-8"	2'-0"	3	3'-8"	3	3'-8"	3	3'-8"	3	3'-8"	3	3'-8"	0.444	1.362	2.201	0.059	0.085
30"	3'-8"	2'-0"	3	3'-8"	3	3'-8"	3	3'-8"	3	3'-8"	3	3'-8"	0.502	1.644	2.541	0.092	0.127
36"	3'-8"	2'-0"	3	3'-8"	3	3'-8"	3	3'-8"	3	3'-8"	3	3'-8"	0.560	1.931	2.920	0.132	0.178
42"	3'-8"	2'-0"	3	3'-8"	3	3'-8"	3	3'-8"	3	3'-8"	3	3'-8"	0.704	2.500	3.677	0.180	0.243
48"	3'-8"	2'-0"	3	3'-8"	3	3'-8"	3	3'-8"	3	3'-8"	3	3'-8"	0.823	3.013	4.315	0.235	0.317
54"	3'-8"	2'-0"	3	3'-8"	3	3'-8"	3	3'-8"	3	3'-8"	3	3'-8"	0.951	3.589	5.072	0.297	0.401
60"	3'-8"	2'-0"	3	3'-8"	3	3'-8"	3	3'-8"	3	3'-8"	3	3'-8"	1.311	4.539	6.170	0.367	0.495
66"	3'-8"	2'-0"	3	3'-8"	3	3'-8"	3	3'-8"	3	3'-8"	3	3'-8"	1.136	5.061	6.901	0.444	0.599
72"	3'-8"	2'-0"	3	3'-8"	3	3'-8"	3	3'-8"	3	3'-8"	3	3'-8"	1.500	5.860	7.868	0.528	0.713

QUANTITY TO BE ADDED FOR EACH 2' INCREMENT INLET OPENING

ADDITIONAL INLETS	2'-0"	4'-0"	6'-0"	8'-0"	10'-0"	12'-0"
CONCRETE CU. YDS.	0.191	0.417	0.665	0.897	1.145	1.380
CONCRETE APRON CU. YDS.	0.074	0.148	0.222	0.296	0.370	0.444

ORIGINAL BY: 2002 STD.840.17 DATE: 07-06-09
 MODIFIED BY: K.A. KEMPF DATE: 07-06-09
 CHECKED BY: DATE:
 FILE SPEC.: /stand/840d17 Extra Depth 2GI.dgn

CONTRACT STANDARDS AND DEVELOPMENT UNIT
 Office 919-707-6950 FAX 919-250-4119

SEE PLATE FOR TITLE

DOCUMENT NOT CONSIDERED FINAL UNLESS ALL SIGNATURES COMPLETED

Seal: NORTH CAROLINA PROFESSIONAL ENGINEER SEAL 022966
 Joel S. Hovatter
 07/17/2021