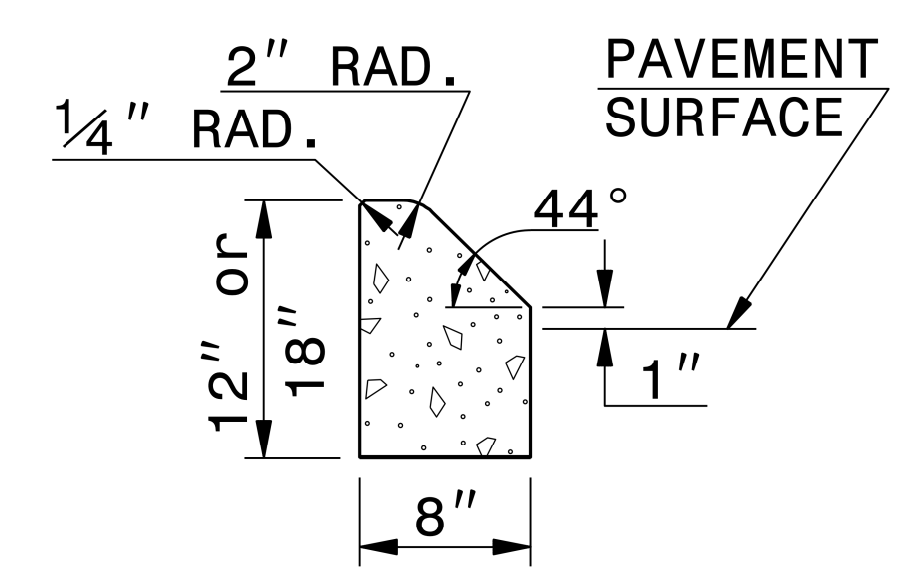
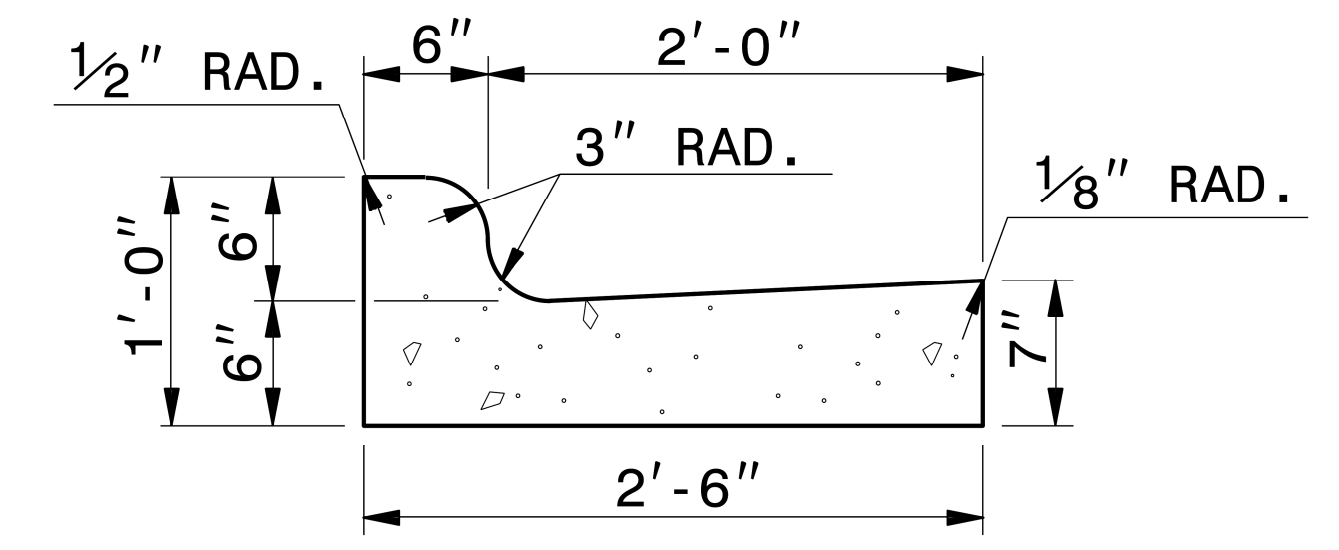


5/14/99

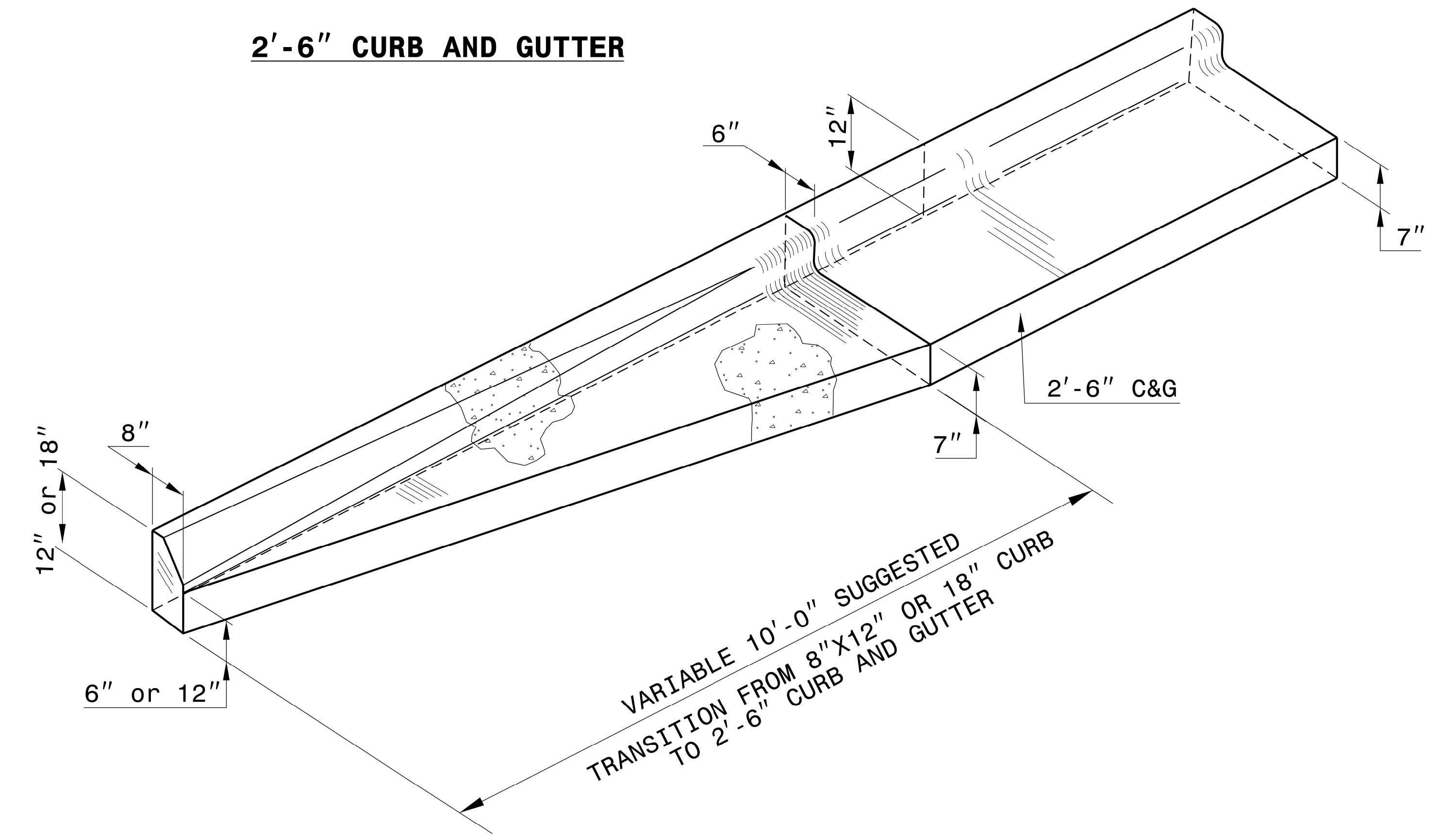
*NOTE: SEE STD. DWG. 846.01 FOR GENERAL NOTES



8" X 12" or 18" CONCRETE CURB



2'-6" CURB AND GUTTER



ISOMETRIC VIEW OF TRANSITION

VARIABLE 10'-0" SUGGESTED
TRANSITION FROM 8"X12" OR 18" CURB
TO 2'-6" CURB AND GUTTER



DOCUMENT NOT CONSIDERED FINAL
UNLESS ALL SIGNATURES COMPLETED

CONTRACT STANDARDS AND DEVELOPMENT UNIT	
Office 919-707-6950	FAX 919-250-4119
DETAIL OF 8" x 12" or 18" CURB TO 2'-6" CURB & GUTTER TRANSITION SECTION	
ORIGINAL BY:	DATE:
MODIFIED BY: K. KEMPF	DATE: 4-05-18
CHECKED BY:	DATE:
FILE SPEC.:	details/ericward/usr/details/stand/cgtransit.dgn

I:\MAR-2019_09450
S:\Contracts\Contractors\Special Details\ericward\usr\details\stand\c&g transition sections.dgn
J.Hoverton AT USD-292595