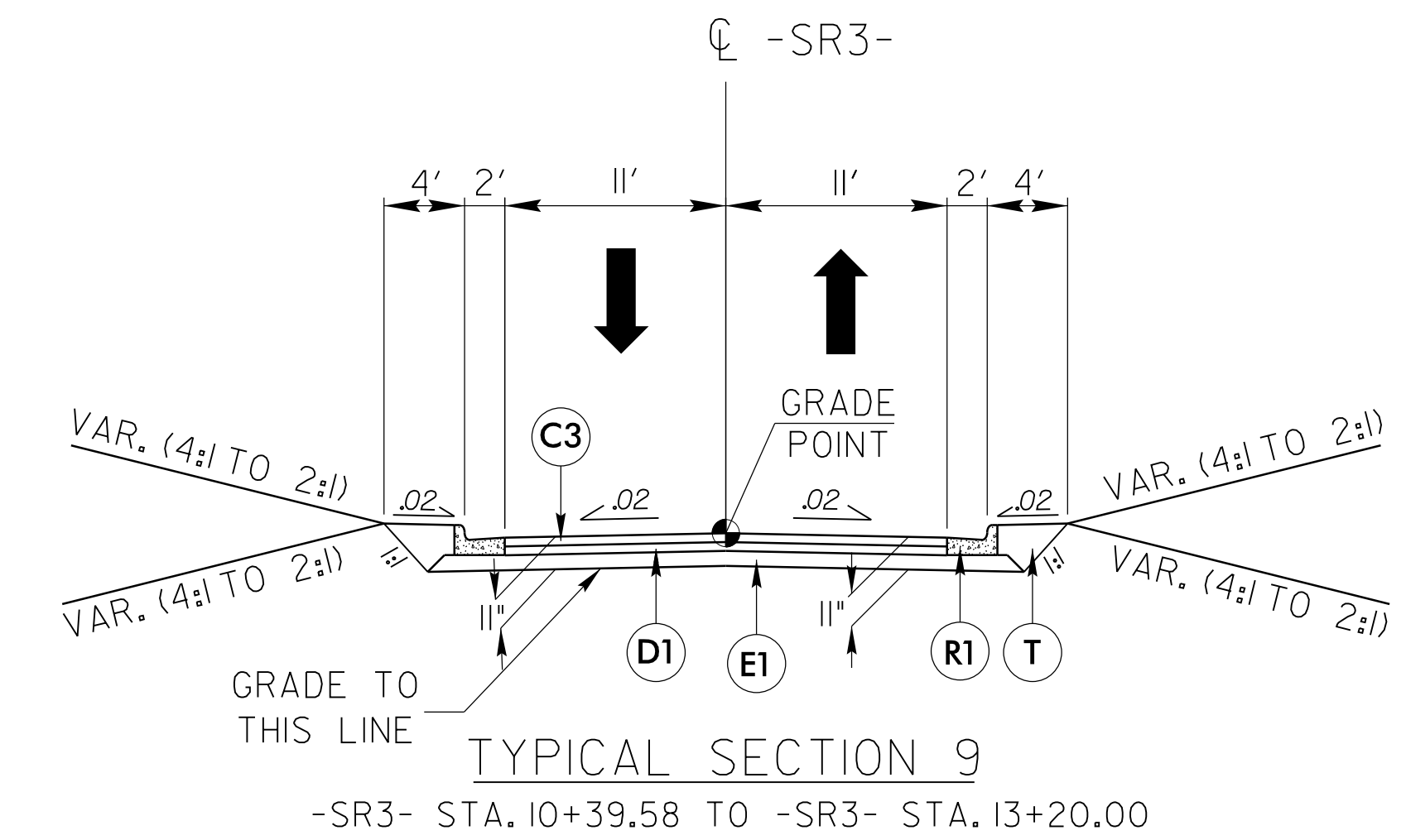
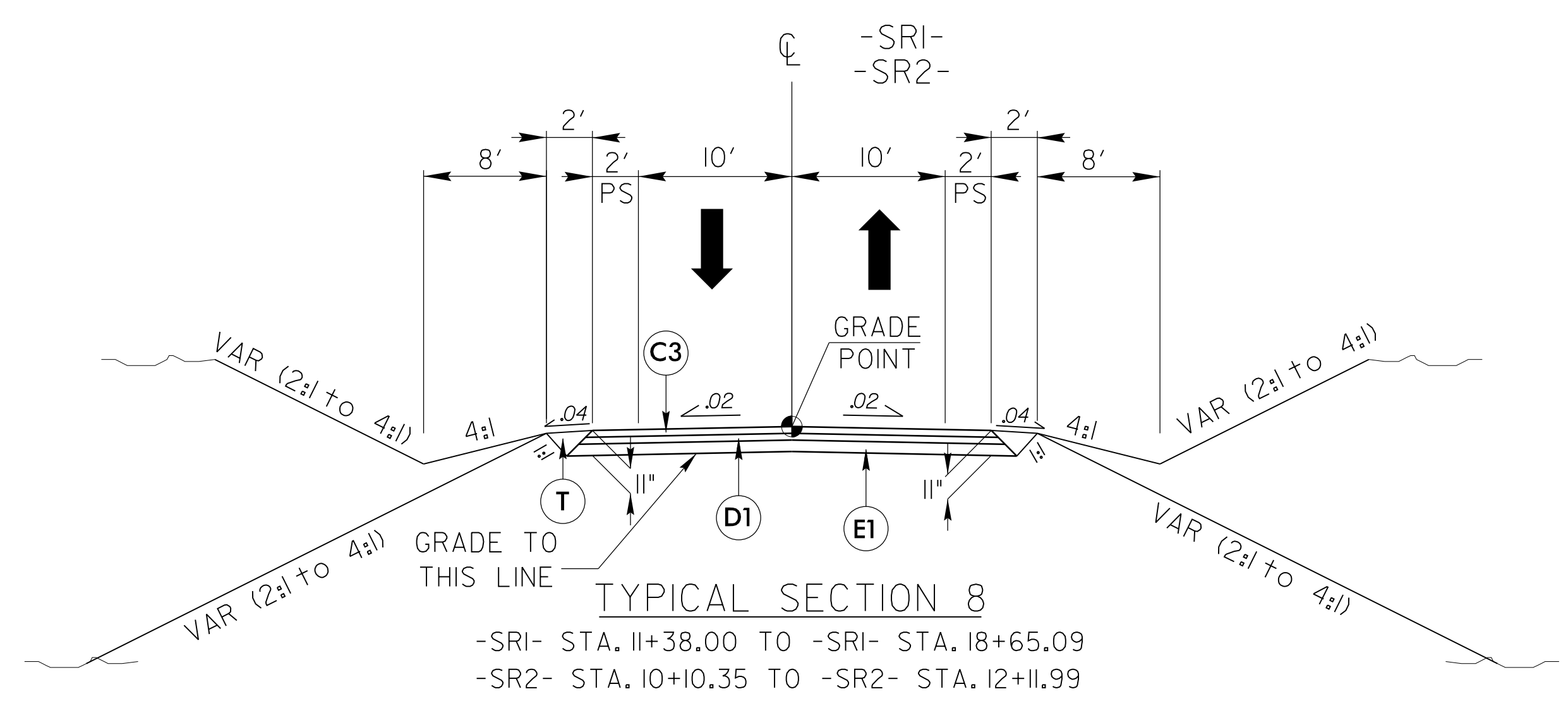


6/2/99

PROJECT REFERENCE NO. U-4405A	SHEET NO. 2A-5
ROADWAY DESIGN ENGINEER SEAL 024929 <i>Charles S. Spivey</i>	PAVEMENT DESIGN ENGINEER SEAL 022896 <i>Clark S. Morrison</i>
DOCUMENT NOT CONSIDERED FINAL UNLESS ALL SIGNATURES COMPLETED	



PAVEMENT SCHEDULE	
C1	1.5" S9.5B
C3	3" S9.5B
D1	4" 119.0C
E1	4" B25.0C
R1	2'-6" CURB AND GUTTER
T	EARTH MATERIAL
W3	WEDGING

07 JUN 2021 16:21 P:\Road\0405A_rdy_tjpo.dgn