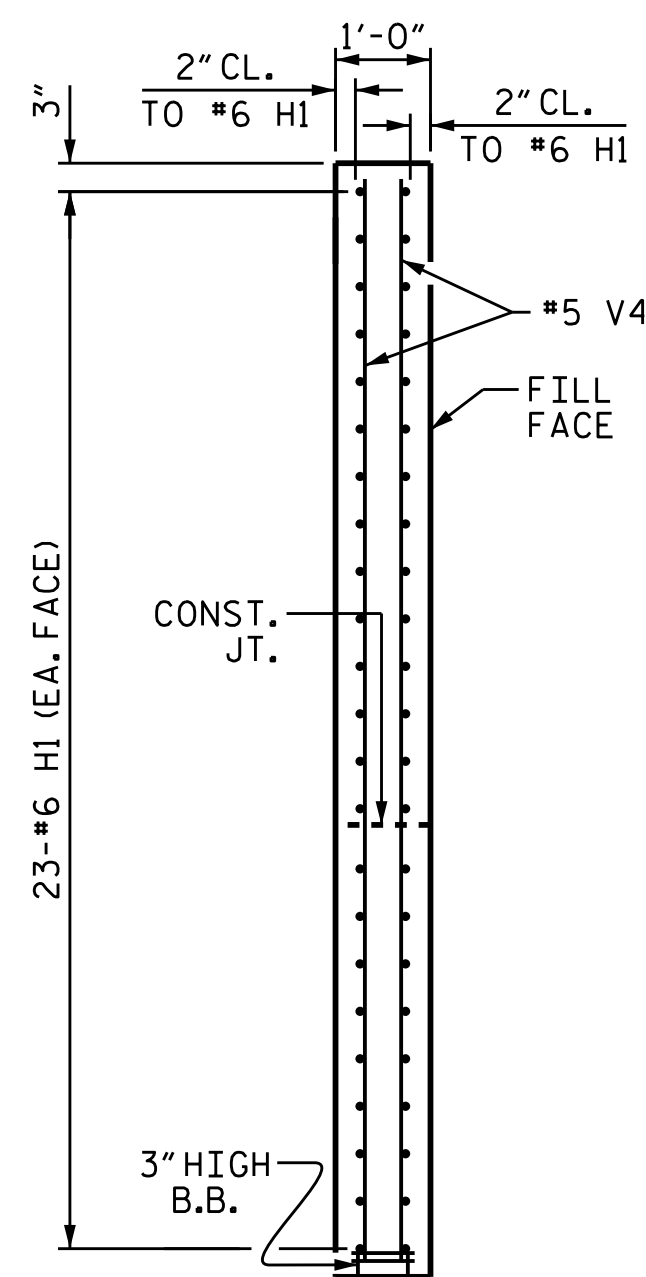
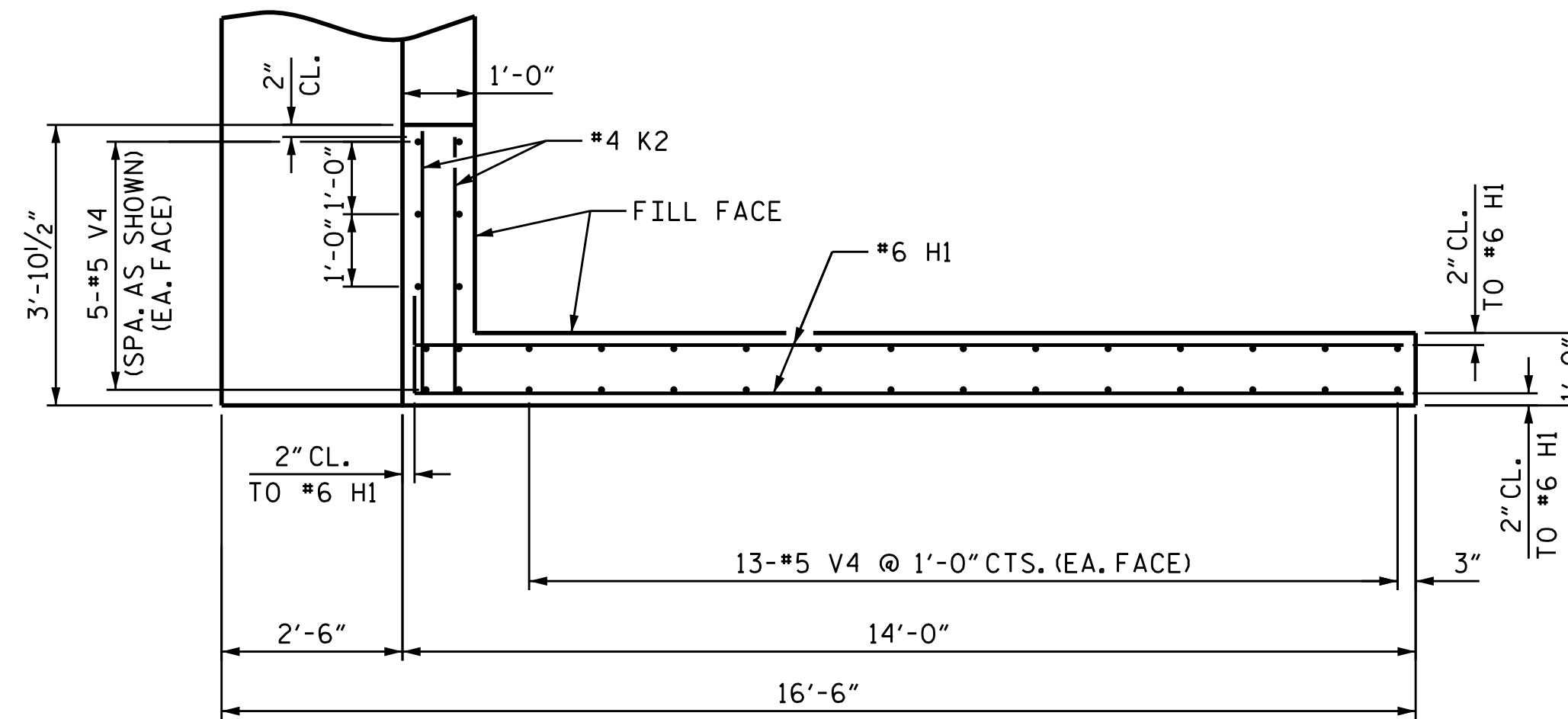


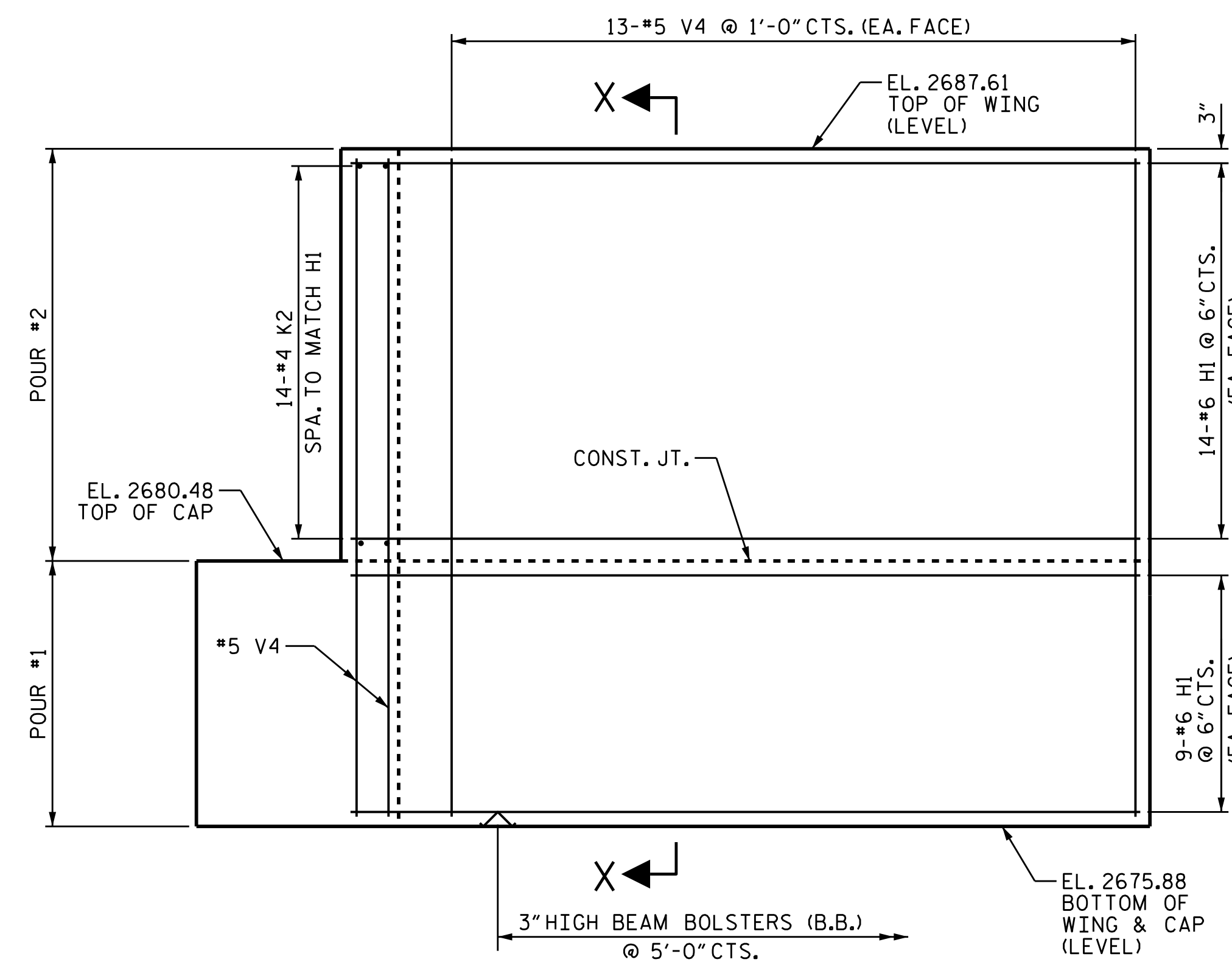
PLAN OF LEFT WING - W1
(STAGE II)



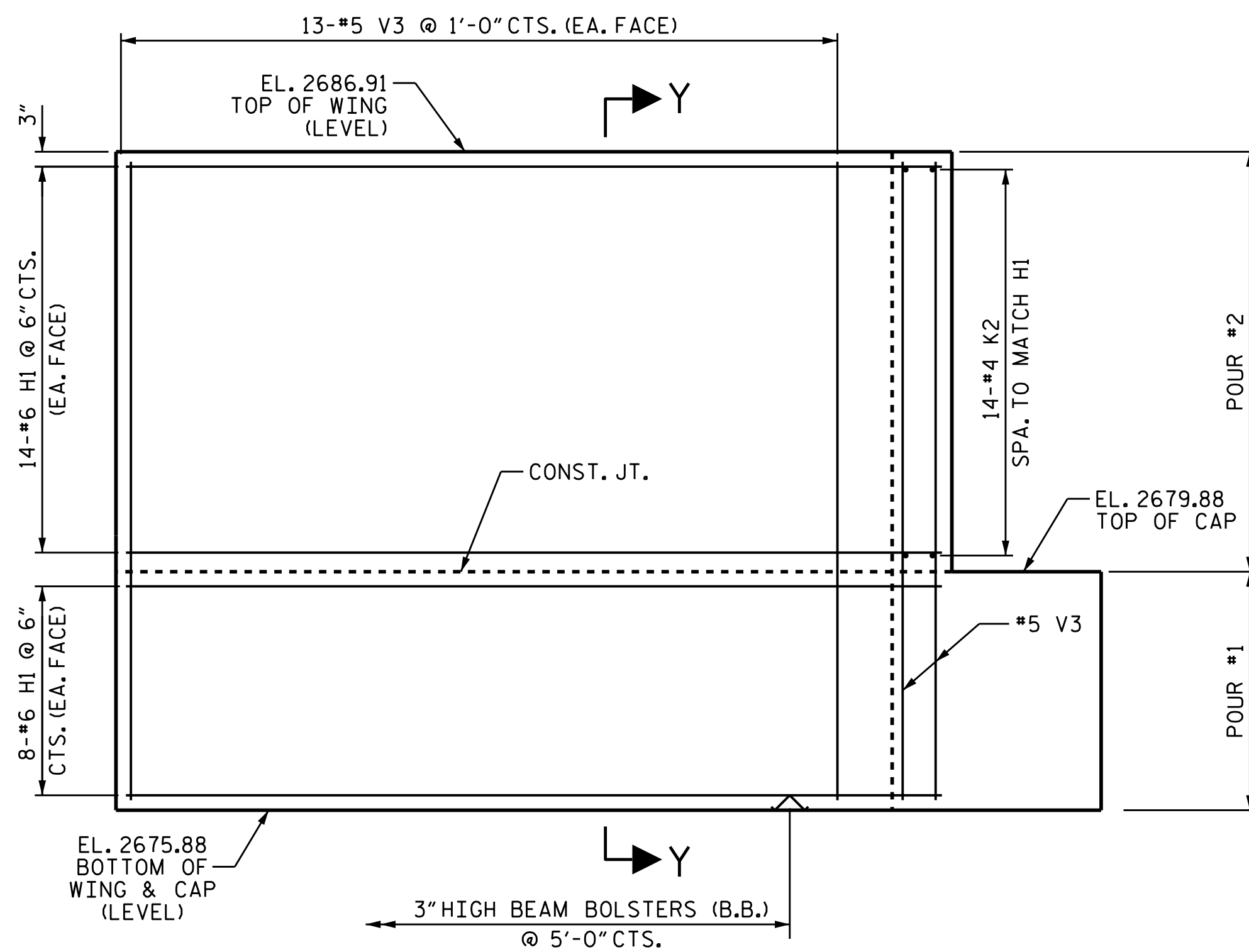
SECTION X-X



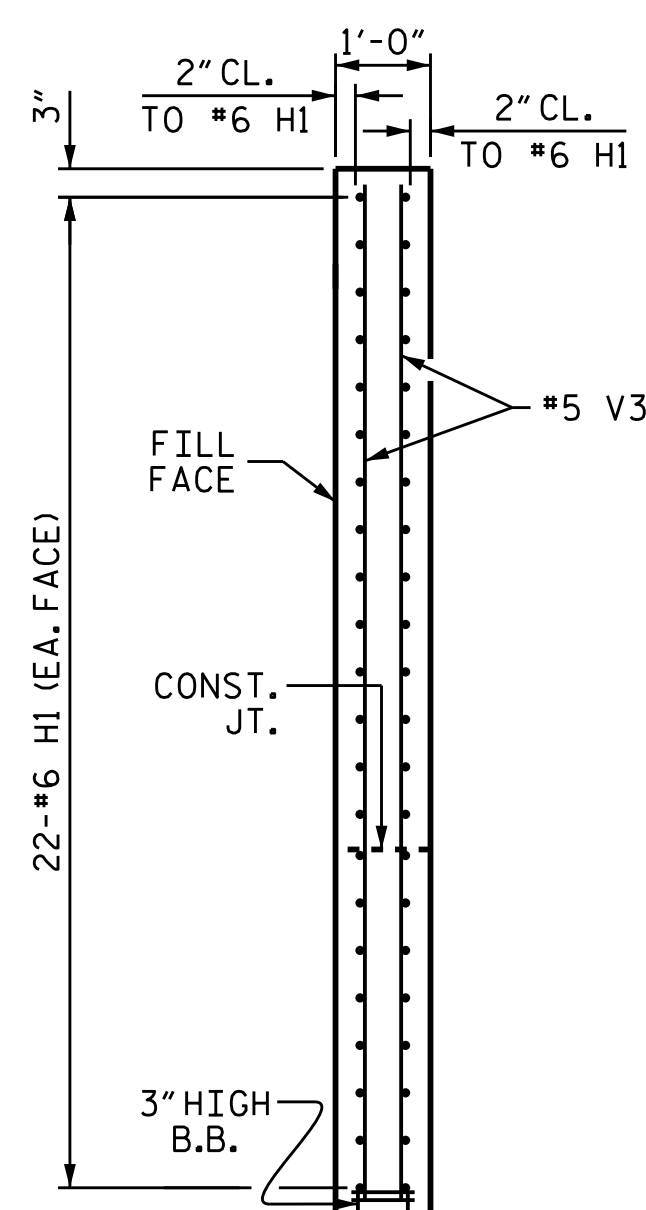
PLAN OF RIGHT WING - W2
(STAGE I)



ELEVATION OF RIGHT WING - W2
(STAGE I)



ELEVATION OF LEFT WING - W1
(STAGE II)



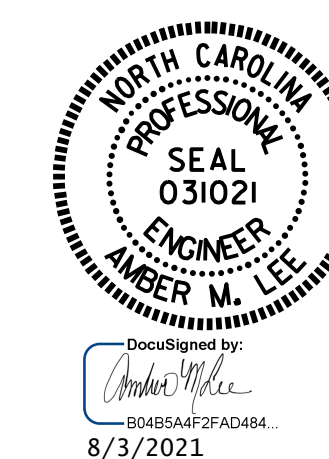
SECTION Y-Y

PROJECT NO. BR-0002
ASHE COUNTY
STATION: 23+80.00 -L-

SHEET 3 OF 4

STATE OF NORTH CAROLINA
DEPARTMENT OF TRANSPORTATION
RALEIGH

SUBSTRUCTURE
END BENT 2
(WINGS)



DocuSigned by:
Amber M. Lee
B04B8A4F3FAD484
8/3/2021

DRAWN BY: A. SORSENGINH DATE: 06/2020
CHECKED BY: K. PUROHIT DATE: 06/2020
DESIGN ENGINEER OF RECORD: J. TILLMAN DATE: 12/2019

DOCUMENT NOT CONSIDERED
FINAL UNLESS ALL
SIGNATURES COMPLETED

REVISIONS						SHEET NO.
NO.	BY:	DATE:	NO.	BY:	DATE:	S-36
1			3			TOTAL SHEETS
2			4			40