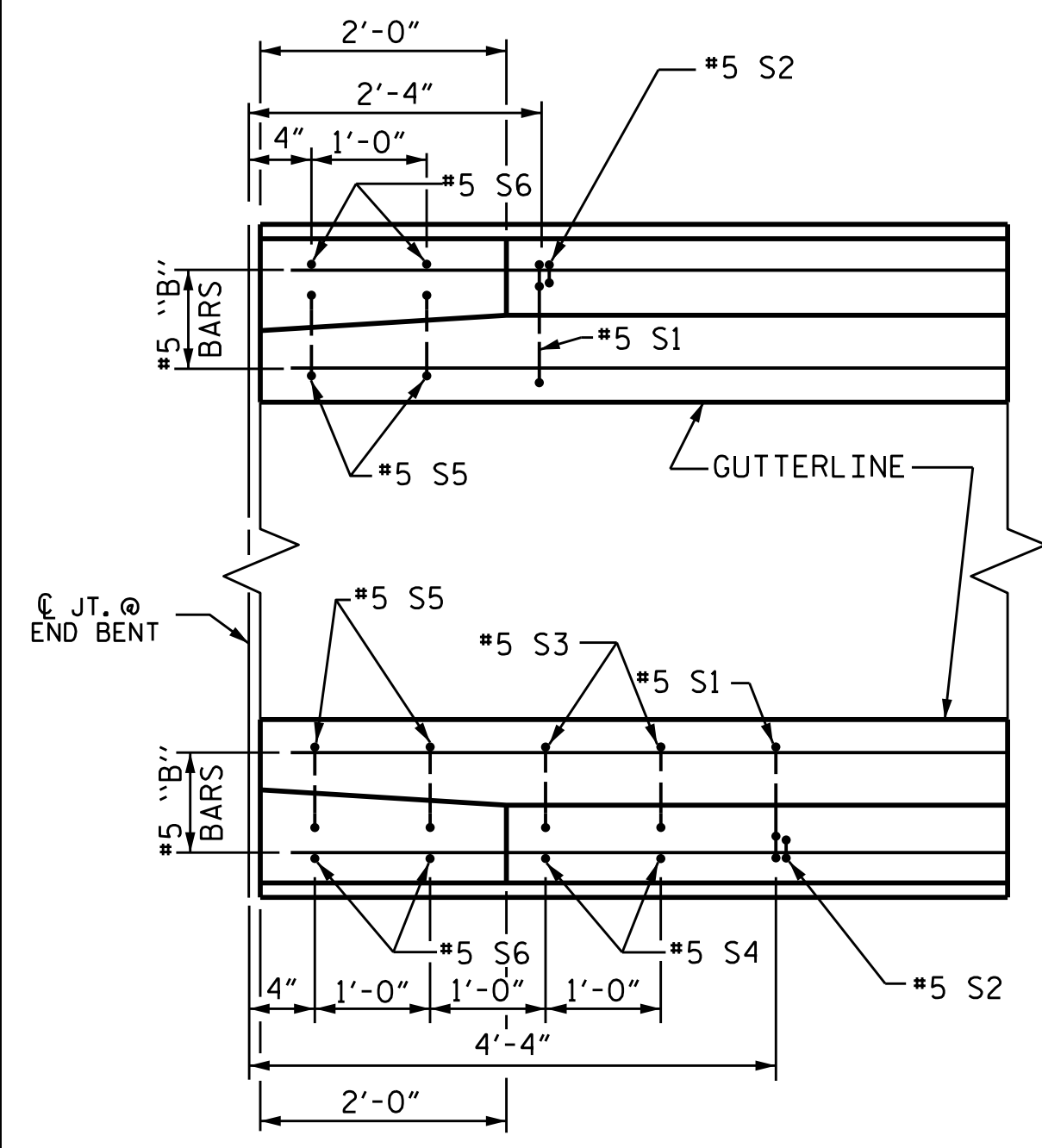
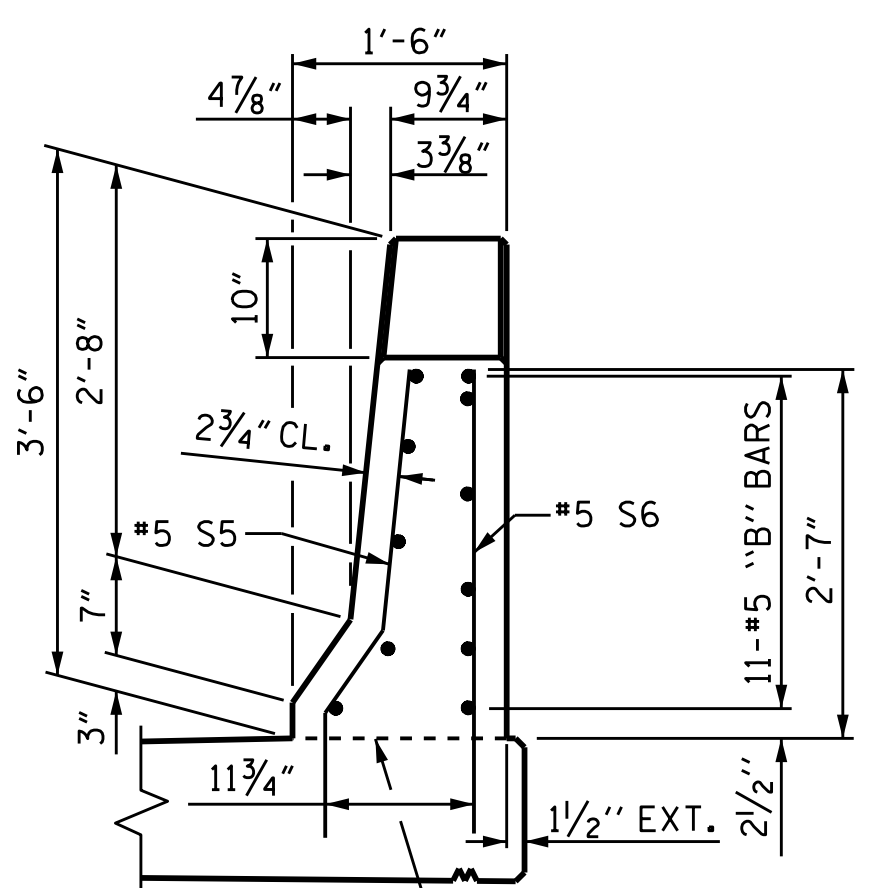


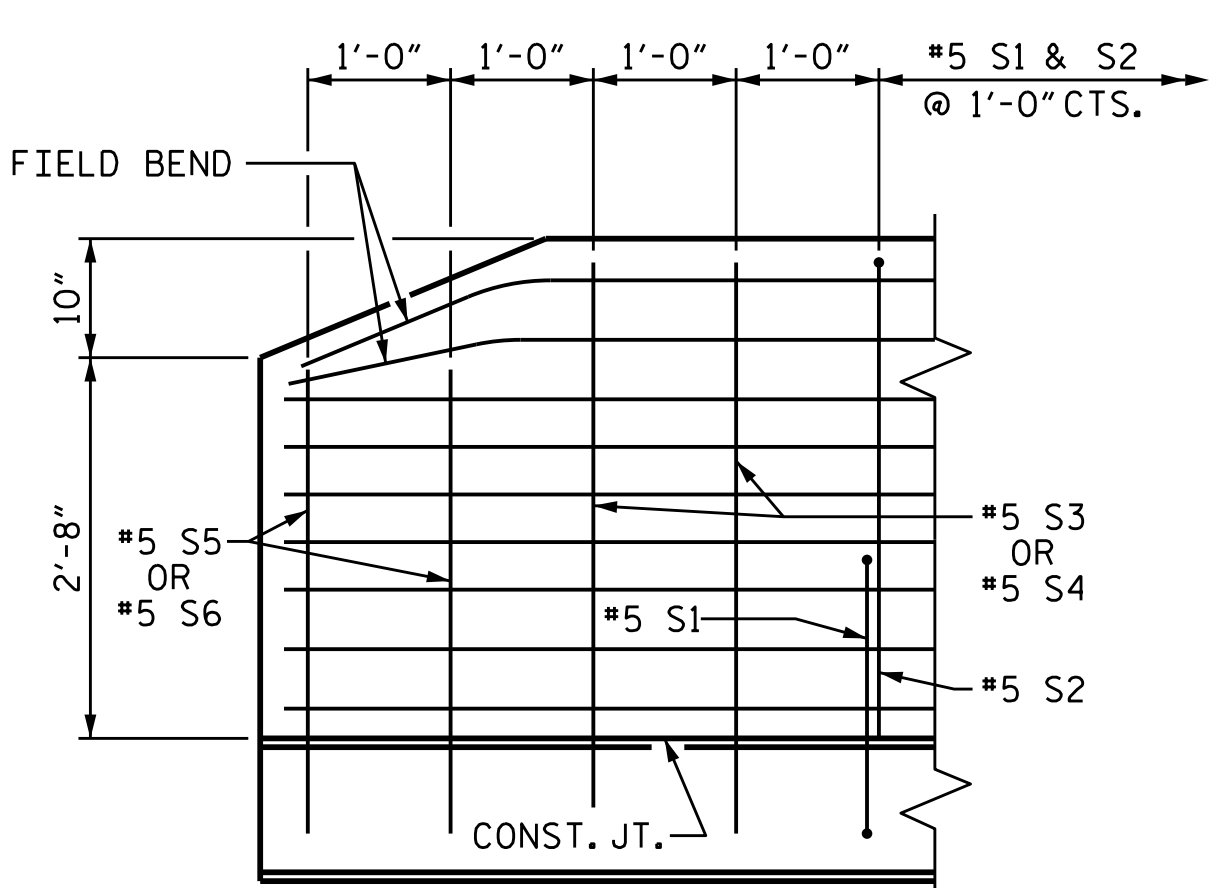
PLAN



PLAN

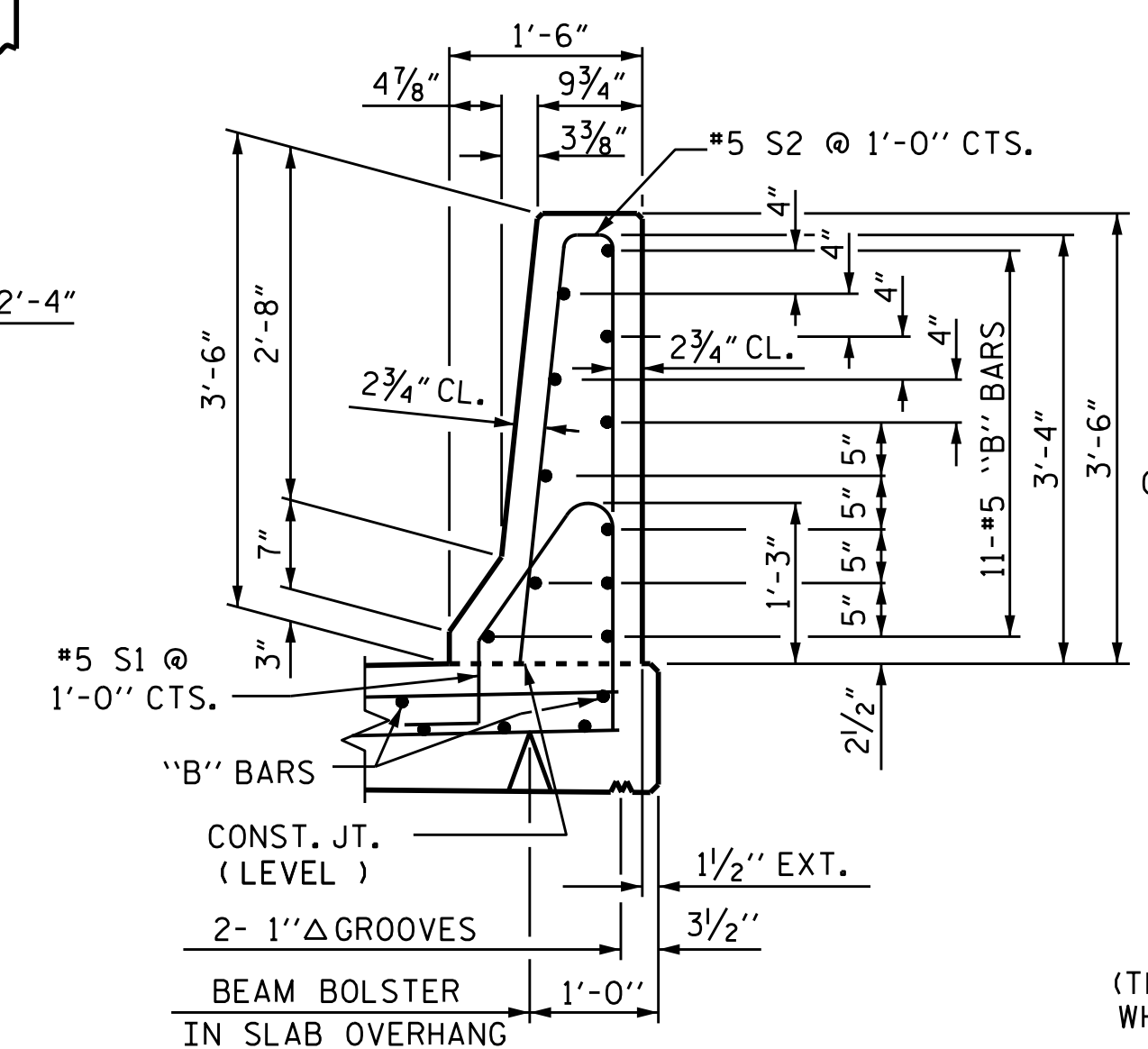


END VIEW

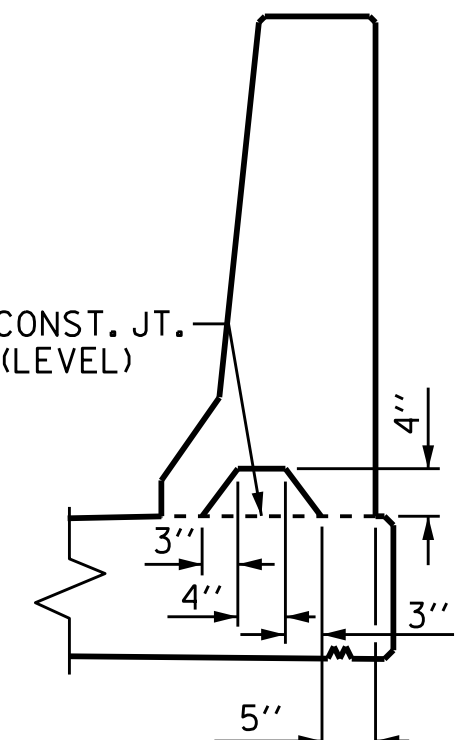


SIDE VIEW

END OF RAIL DETAILS  
FOR ADHESIVE ANCHORING AT SAWED JOINTS

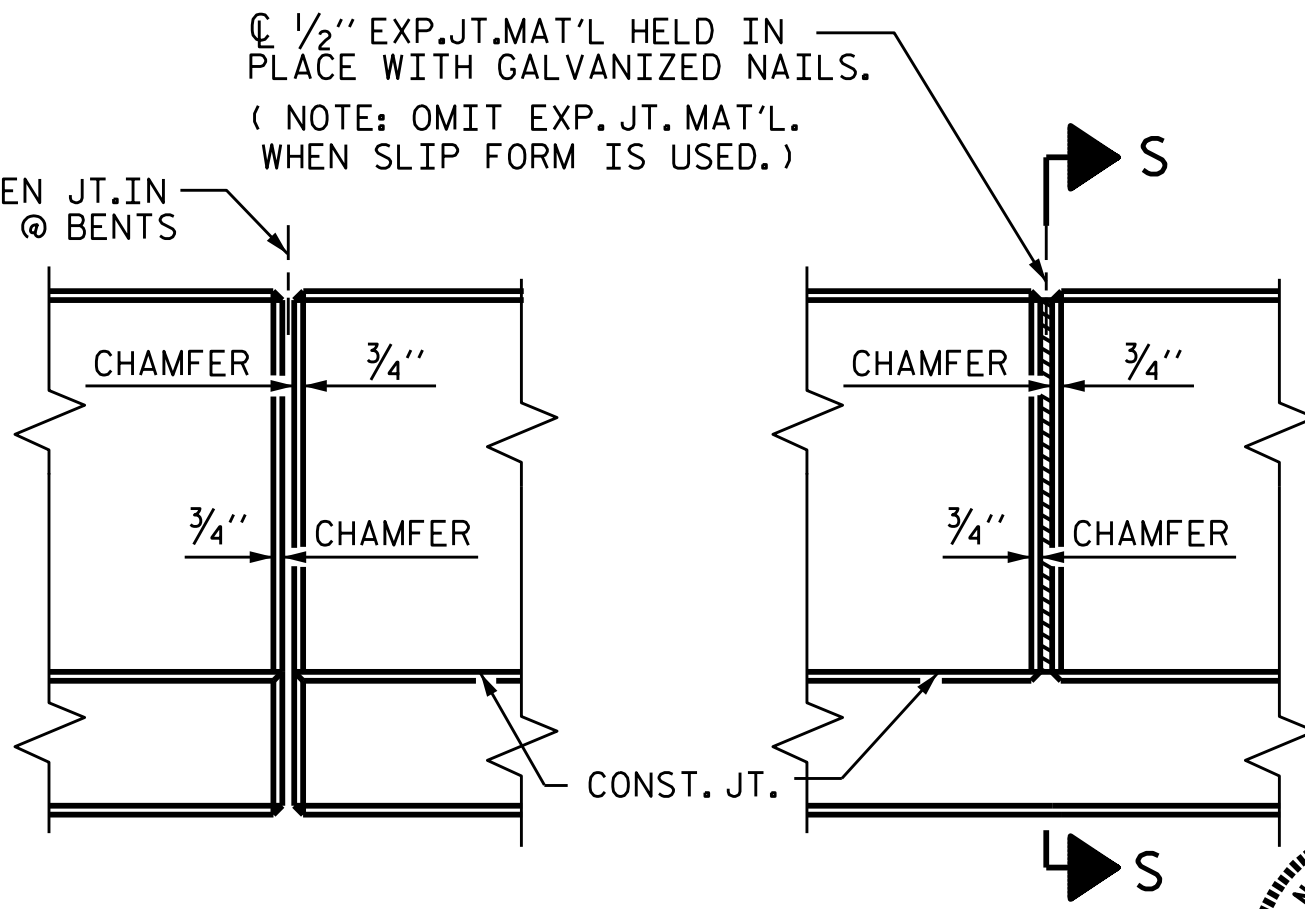


SECTION THRU RAIL



SECTION S-S

AT DAM IN OPEN JOINT (THIS IS TO BE USED ONLY WHEN SLIP FORM IS USED)



ELEVATION AT EXPANSION JOINTS  
BARRIER RAIL DETAILS

NOTES

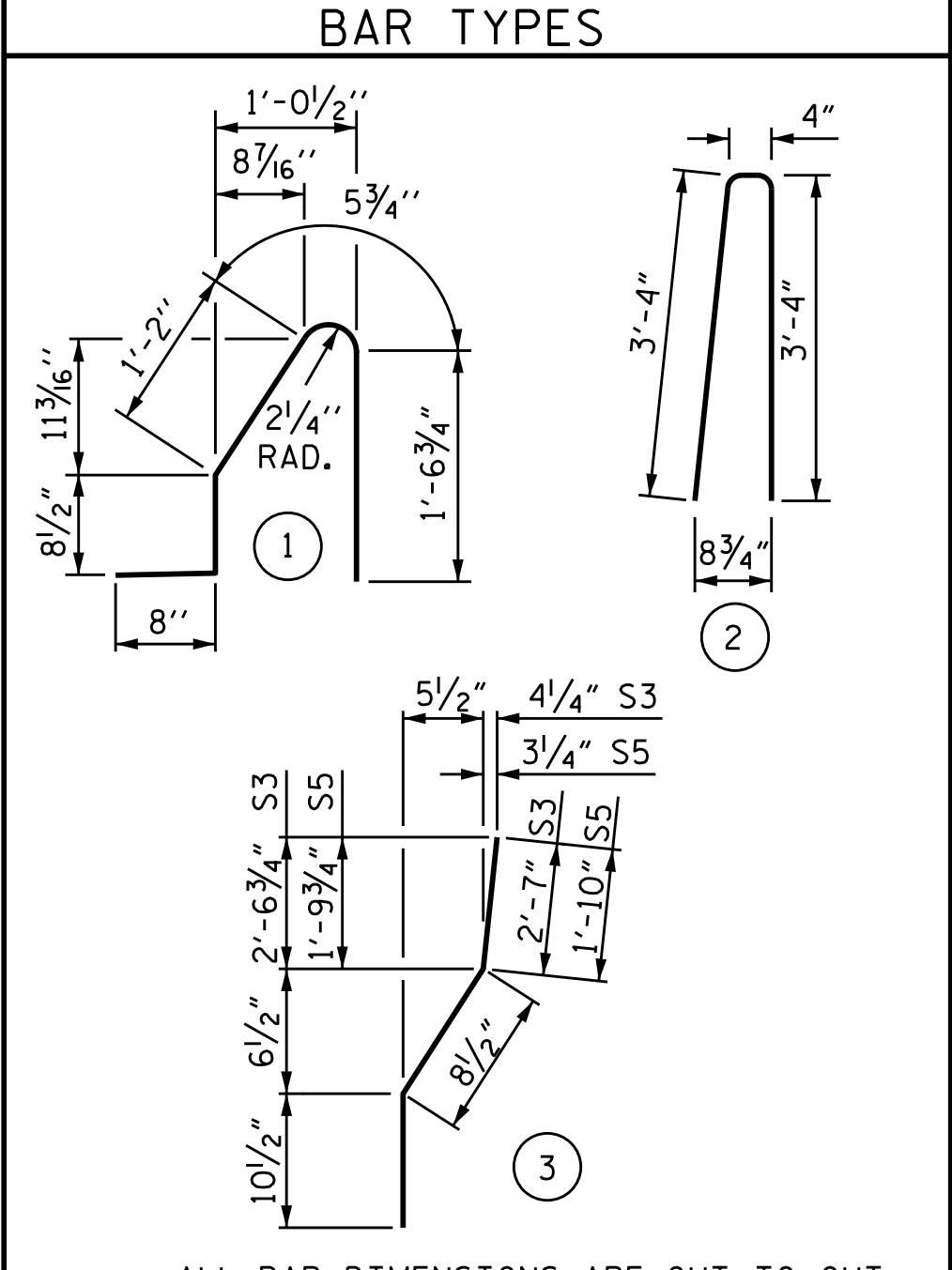
THE BARRIER RAIL IN EACH SPAN SHALL NOT BE CAST UNTIL ALL SLAB CONCRETE IN THAT SPAN HAS BEEN CAST AND HAS REACHED A MINIMUM COMPRESSIVE STRENGTH OF 3,000 PSI.

WHEN FOAM JOINT SEAL IS REQUIRED, THE JOINT IN THE DECK SHALL BE SAWED PRIOR TO THE CASTING OF BARRIER RAIL.

ALL REINFORCING STEEL IN BARRIER RAILS SHALL BE EPOXY COATED.

THE #5 S3, S4, S5 AND S6 BARS SHALL BE INSTALLED, USING AN ADHESIVE ANCHORING SYSTEM, AFTER SAWING THE JOINT. THE YIELD LOAD FOR THE #5 S3, S4, S5 AND S6 BARS IS 18.6 KIPS. FIELD TESTING FOR THE ADHESIVE BONDING SYSTEM IS NOT REQUIRED.

GROOVED CONTRACTION JOINTS, 1/2" IN DEPTH, SHALL BE TOOLED IN ALL EXPOSED FACES OF THE BARRIER RAIL AND IN ACCORDANCE WITH ARTICLE 825-10(B) OF THE STANDARD SPECIFICATIONS. THE CONTRACTION JOINT SHALL BE LOCATED AT EACH THIRD POINT BETWEEN BARRIER RAIL EXPANSION JOINTS. ONLY ONE CONTRACTION JOINT IS REQUIRED AT MIDPOINT OF BARRIER RAIL SEGMENTS LESS THAN 20 FEET IN LENGTH AND NO CONTRACTION JOINTS ARE REQUIRED FOR THOSE SEGMENTS LESS THAN 10 FEET IN LENGTH.



ALL BAR DIMENSIONS ARE OUT TO OUT

BILL OF MATERIAL

FOR CONCRETE BARRIER RAIL ONLY

BAR NO.	SIZE	TYPE	LENGTH	WEIGHT
* B1	44	#5 STR	28'-6"	1308
* B2	176	#5 STR	27'-1"	4972
* S1	542	#5 1	4'-7"	2591
* S2	542	#5 2	7'-0"	3957
* S3	4	#5 3	4'-2"	17
* S4	4	#5 STR	4'-0"	17
* S5	8	#5 3	3'-5"	29
* S6	8	#5 STR	3'-3"	27
* EPOXY COATED REINFORCING STEEL				12,918 LBS.
CLASS AA CONCRETE				75.6 CU. YDS.
CONCRETE BARRIER RAIL				555.7 LIN. FT.

DRAWN BY: M. G. SHAIKH DATE: 06/2020  
 CHECKED BY: A. LEE DATE: 06/2020  
 DESIGN ENGINEER OF RECORD: K. PUROHIT DATE: 11/2019

DOCUMENT NOT CONSIDERED FINAL UNLESS ALL SIGNATURES COMPLETED

REVISIONS						SHEET NO.	
NO.	BY:	DATE:	NO.	BY:	DATE:	S-20	
1			3			TOTAL SHEETS 40	
2			4				