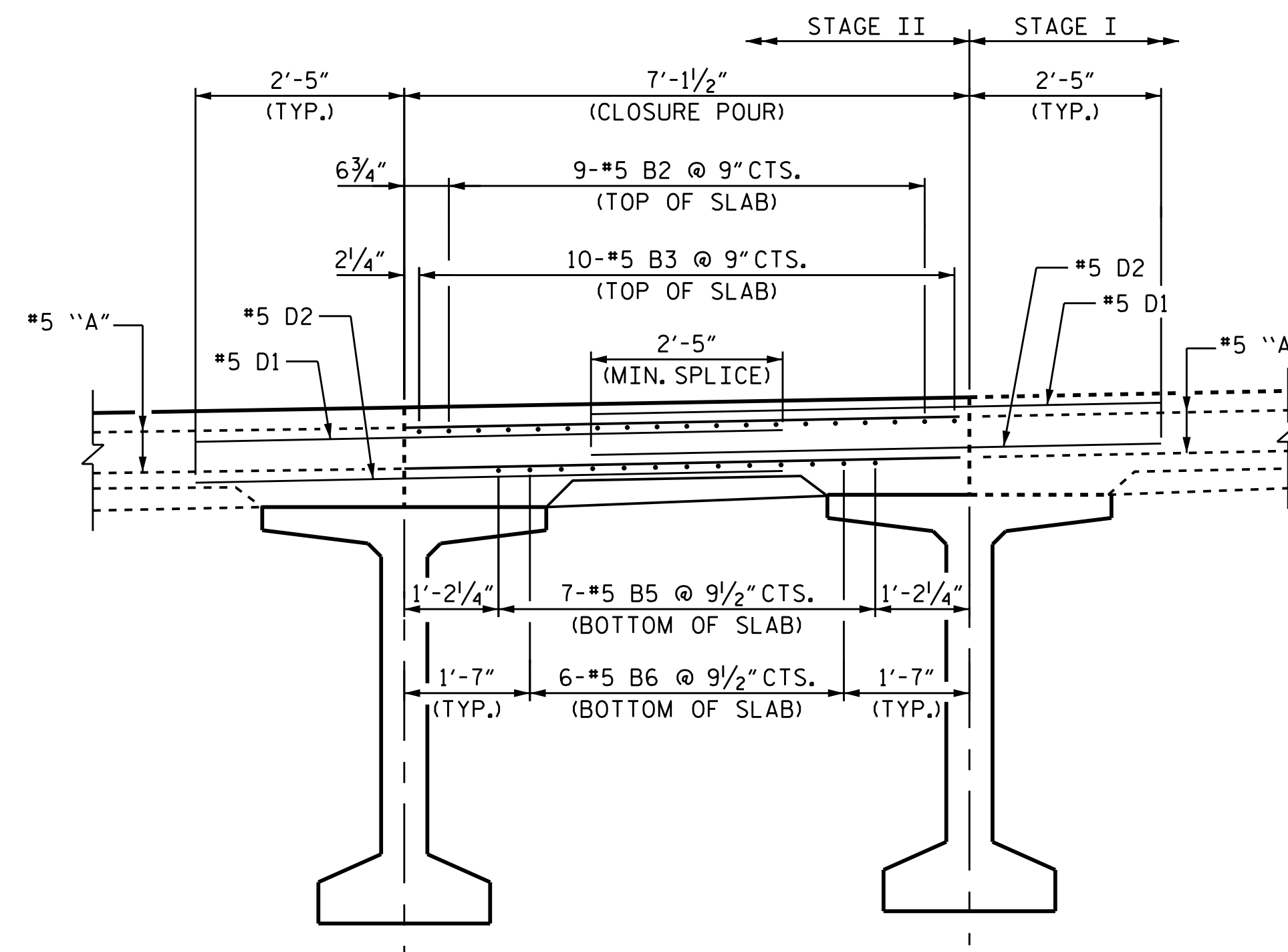


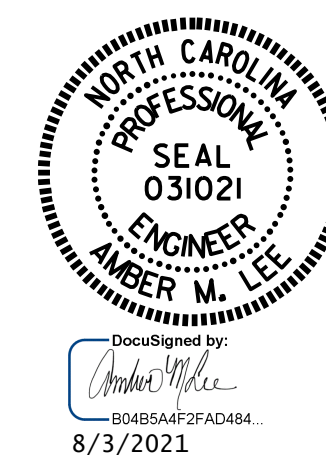
CLOSURE POUR DETAIL @ END BENT



CLOSURE POUR DETAIL @ BENT

PROJECT NO. BR-0002  
ASHE COUNTY  
 STATION: 23+80.00 -L-

SHEET 4 OF 5



STATE OF NORTH CAROLINA  
 DEPARTMENT OF TRANSPORTATION  
 RALEIGH

SUPERSTRUCTURE  
 TYPICAL SECTION

DRAWN BY : M. G. SHAIKH DATE : 06/2020  
 CHECKED BY : A. LEE DATE : 06/2020  
 DESIGN ENGINEER OF RECORD: K. PUROHIT DATE : 11/2019

DOCUMENT NOT CONSIDERED  
 FINAL UNLESS ALL  
 SIGNATURES COMPLETED

REVISIONS						SHEET NO.
NO.	BY:	DATE:	NO.	BY:	DATE:	S-9
1			3			TOTAL SHEETS
2			4			40