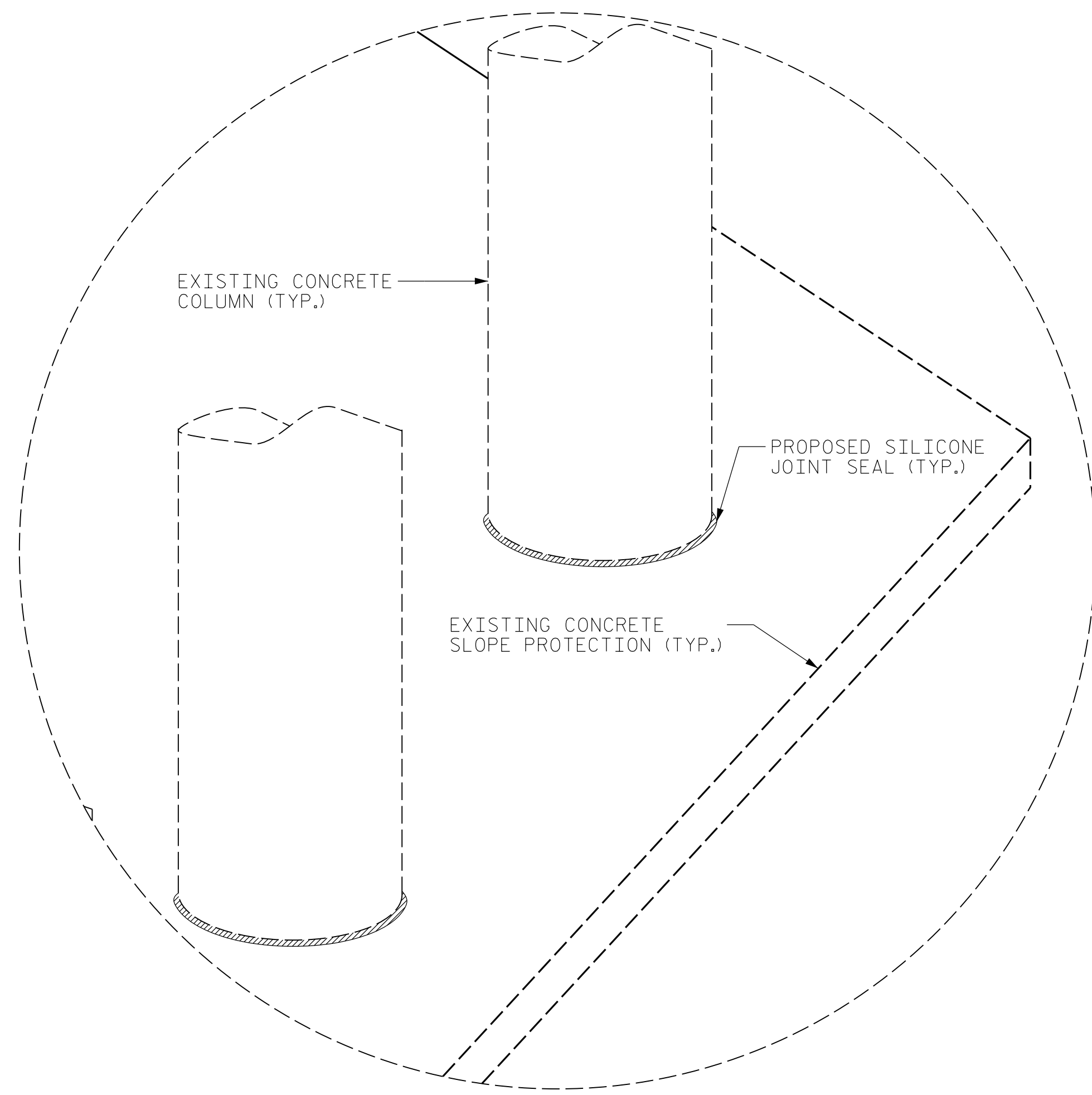
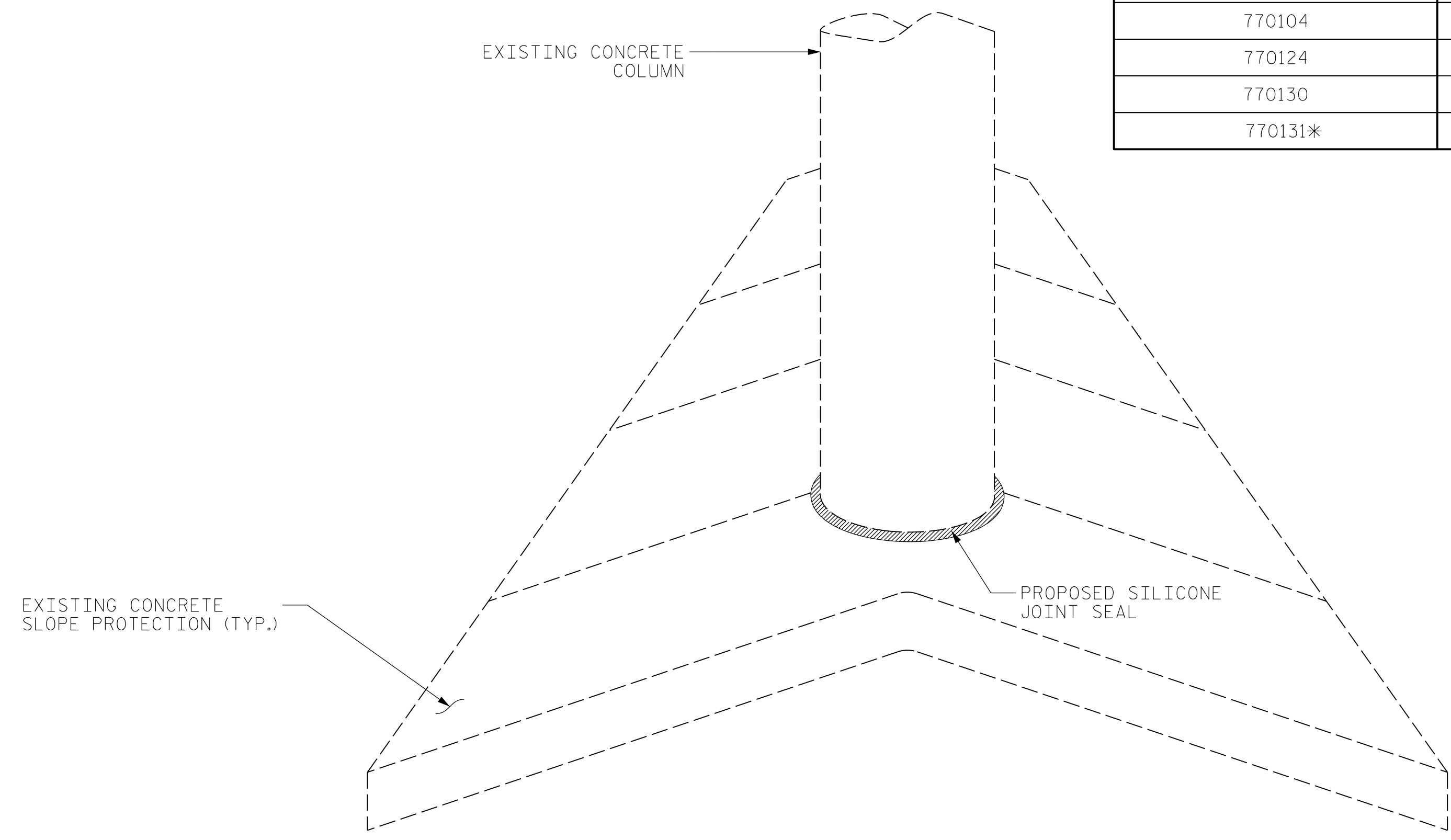


NOTE:  
FOR SILICONE JOINT SEALANT FOR SLOPE PROTECTION,  
SEE SPECIAL PROVISIONS  
\* - INCLUDES QUANTITY FOR SILICONE JOINT SEALANT  
AT EBI IN CONJUNCTION WITH SLOPE PROTECTION REPAIRS.

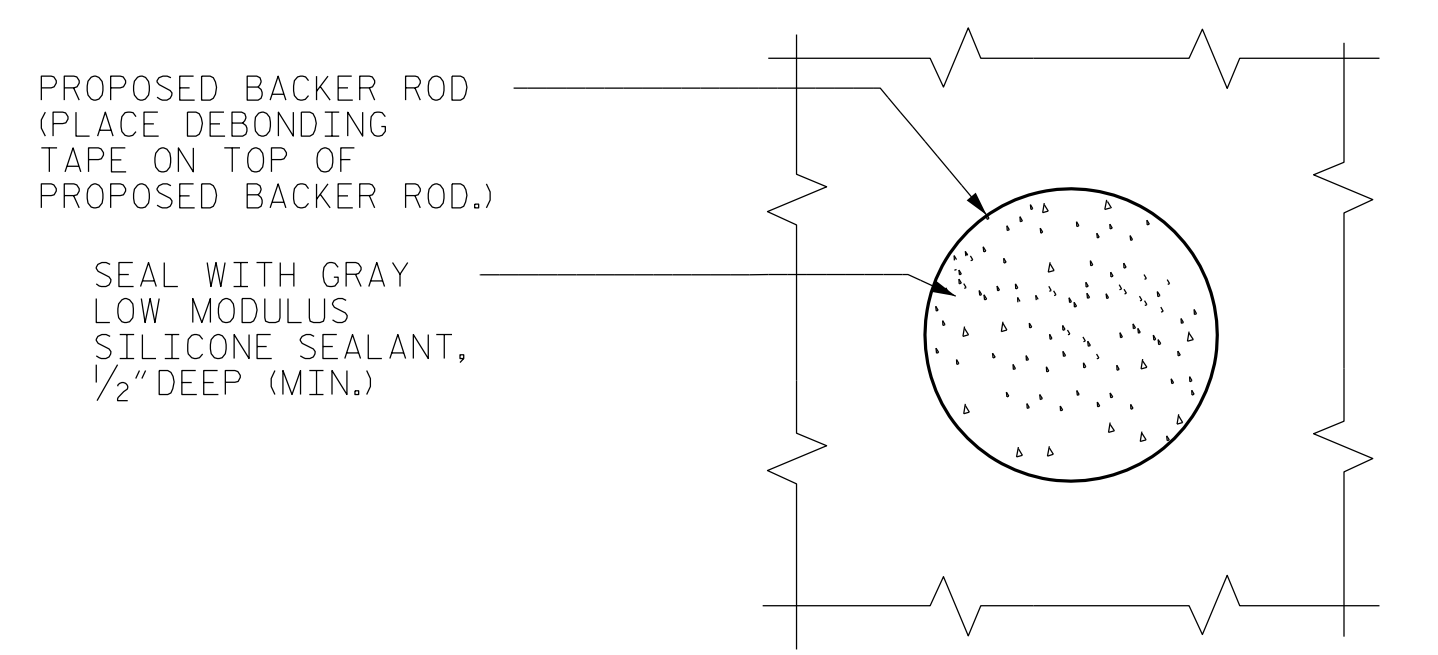
SLOPE PROTECTION JOINT SEAL REPAIR QUANTITY TABLE		
STRUCTURE	ESTIMATE	ACTUAL
770004	114 LIN. FT.	
770086	57 LIN. FT.	
770096	57 LIN. FT.	
770104	114 LIN. FT.	
770124	85 LIN. FT.	
770130	29 LIN. FT.	
770131*	87 LIN. FT.	



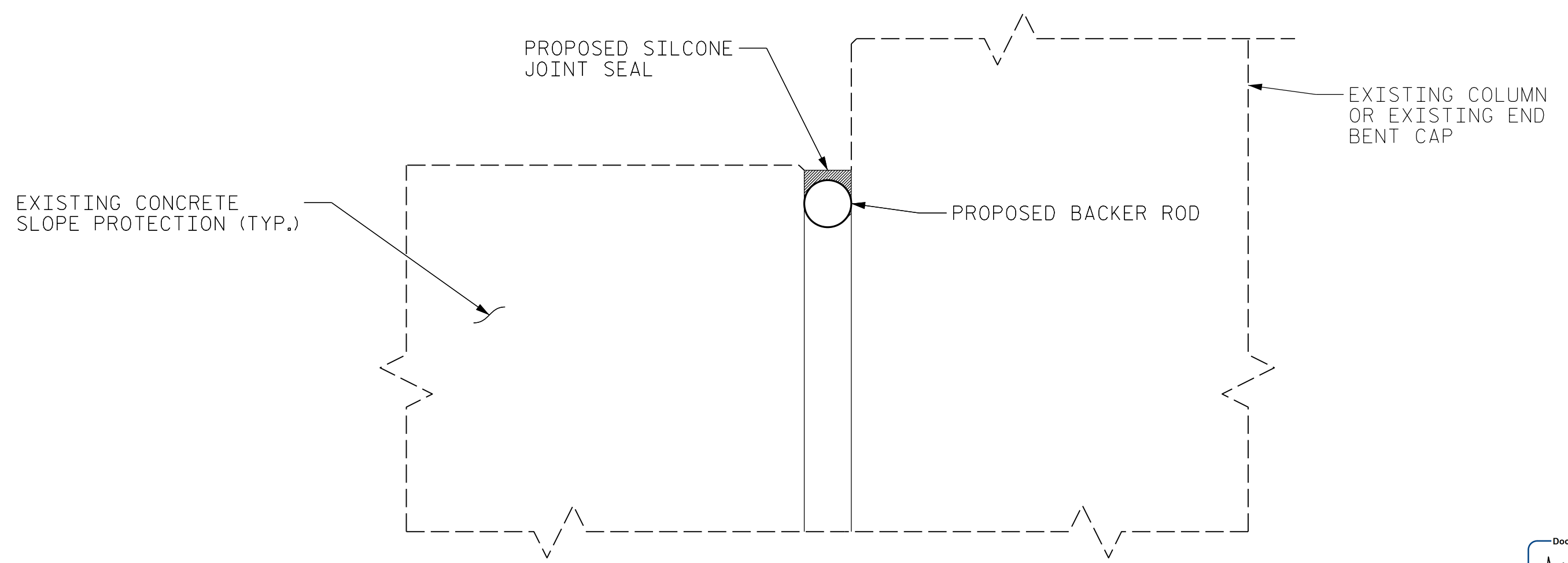
JOINT SEAL AT END BENTS



JOINT SEAL AT INTERIOR BENTS ELEVATION



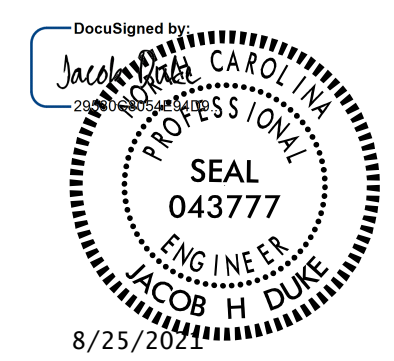
JOINT SEAL REPAIR PLAN VIEW



JOINT SEAL REPAIR ELEVATION VIEW

BRIDGES: 770004, 770086, 770096, 770104, 770124, 770130, 770131

PROJECT NO. I-5939  
ROBESON COUNTY  
 BRIDGE NO. MULTIPLE



STATE OF NORTH CAROLINA  
 DEPARTMENT OF TRANSPORTATION  
 RALEIGH  
 STANDARD  
**SLOPE PROTECTION JOINT SEAL DETAILS**

NOTES:  
 FOR PROPOSED JOINT SEAL REPAIR, SEE SPECIAL PROVISIONS

DRAWN BY : FIDEL L. FLORES DATE : 06/2021  
 CHECKED BY : DIEGO A. AGUIRRE DATE : 06/2021  
 DESIGN ENGINEER OF RECORD: JACOB H. DUKE DATE : 06/2021

8/25/2021  
 I9939.SMU.JS.dgn  
 fflores

DOCUMENT NOT CONSIDERED  
 FINAL UNLESS ALL  
 SIGNATURES COMPLETED

**KCA**  
**KISINGER CAMPO & ASSOCIATES**  
 301 FAYETTEVILLE ST., SUITE 1500  
 RALEIGH, NC 27601 (919) 882-7839  
 NC FIRM LICENSE: C-1506

REVISIONS						SHEET NO.
NO.	BY:	DATE:	NO.	BY:	DATE:	TOTAL SHEETS
1			3			12
2			4			