

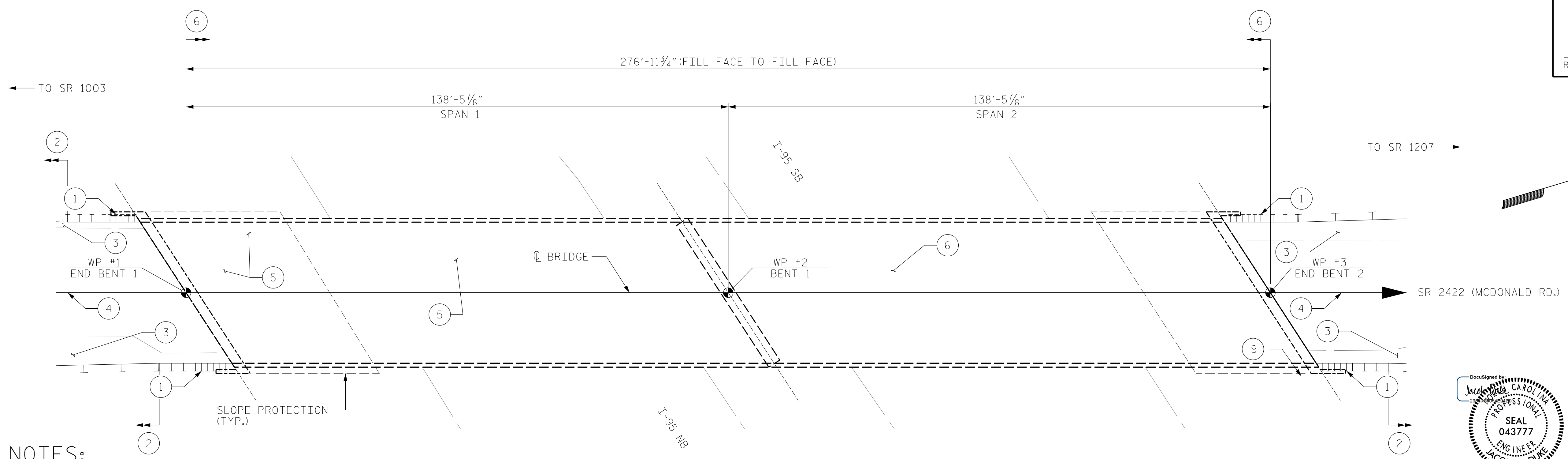
SECTION ALONG ROADWAY

- SCOPE LEGEND:
- 1 PROPOSED TYPE-III STRUCTURE ANCHOR UNITS
 - 2 PROPOSED STEEL BEAM GUARDRAIL
 - 3 CLEAR SHOULDERS OF DEBRIS AND VEGETATION
 - 4 APPROACH ROADWAY MILLING AND RESURFACING
 - 5 CONCRETE DECK REPAIRS
 - 6 POLYMER CONCRETE OVERLAY
 - 7 SUBSTRUCTURE EPOXY RESIN INJECTION
 - 8 SILICONE JOINT SEAL REPLACEMENT AT COLUMN BASES
 - 9 SELECTIVE UNDERGROWTH REMOVAL AT END BENT 1 BEARING
 - 10 SLOPE PROTECTION VOID FILLING & SILICONE JOINT SEAL REPLACEMENT AT TOP OF SLOPE PROTECTION
- NOTE: SEE SHEET S12 FOR SLOPE PROTECTION JOINT REPAIRS.
FOR SCOPE ITEM 9, IT SHALL BE CONSIDERED INCIDENTAL TO THE VARIOUS PAY ITEMS OF THE PROJECT.

AS-BUILT REPAIR QUANTITY TABLE		
	ESTIMATE	ACTUAL
SELECTIVE UNDERGROWTH REMOVAL	0.1 ACR	

I HEREBY CERTIFY THAT THIS STRUCTURE WAS REHABILITATED ACCORDING TO THESE PLANS OR AS NOTED THEREIN.

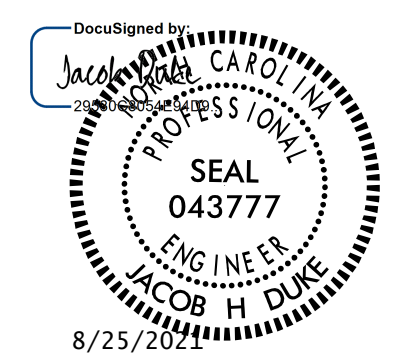
RESIDENT ENGINEER _____ DATE _____



PLAN

NOTES:
GENERAL DRAWING INFORMATION IS TAKEN FROM THE ORIGINAL PLANS AND THE MOST UP TO DATE ROUTINE INSPECTION REPORT DATED 05/07/2021
BRIDGE ORIENTATION CONFORMS TO THE EXISTING BRIDGE PLANS/ ROUTINE INSPECTION.

PROJECT NO. I-5939
ROBESON COUNTY
BRIDGE NO. 770131



STATE OF NORTH CAROLINA
DEPARTMENT OF TRANSPORTATION
RALEIGH
GENERAL DRAWING
FOR BRIDGE ON SR 2422
OVER I-95

DRAWN BY : DIEGO A. AGUIRRE DATE : 06/2021
CHECKED BY : FIDEL L. FLORES DATE : 06/2021
DESIGN ENGINEER OF RECORD: JACOB H. DUKE DATE : 06/2021

DOCUMENT NOT CONSIDERED FINAL UNLESS ALL SIGNATURES COMPLETED

KCA
KISINGER CAMPO & ASSOCIATES
301 FAYETTEVILLE ST., SUITE 1500
RALEIGH, NC 27601 (919) 882-7839
NC FIRM LICENSE: C-1506

REVISIONS						SHEET NO.
NO.	BY:	DATE:	NO.	BY:	DATE:	
1			3			S14-1
2			4			TOTAL SHEETS 9