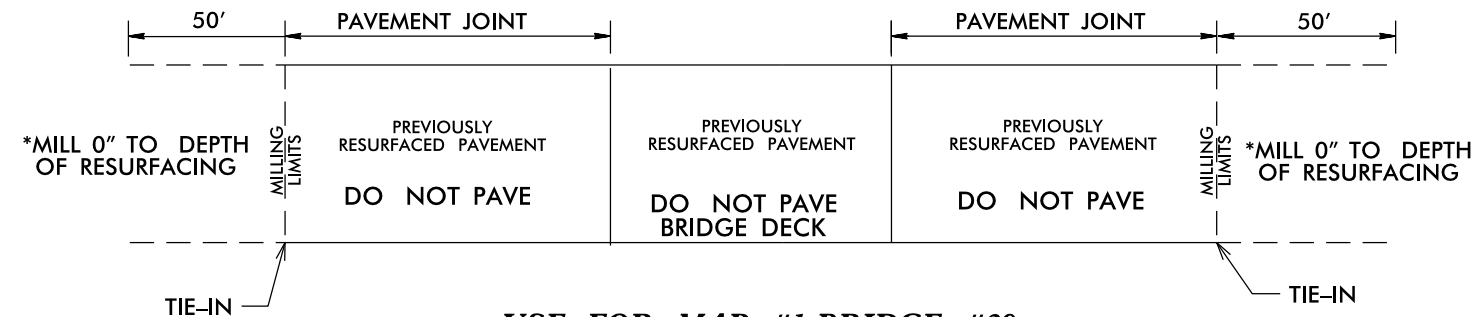
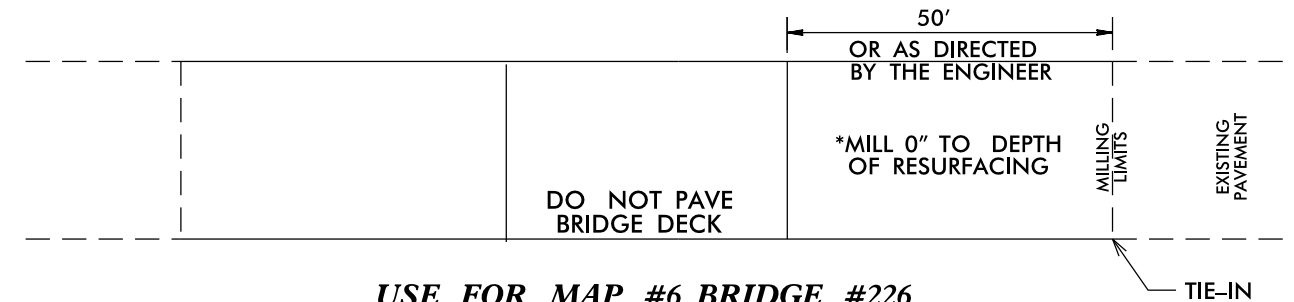


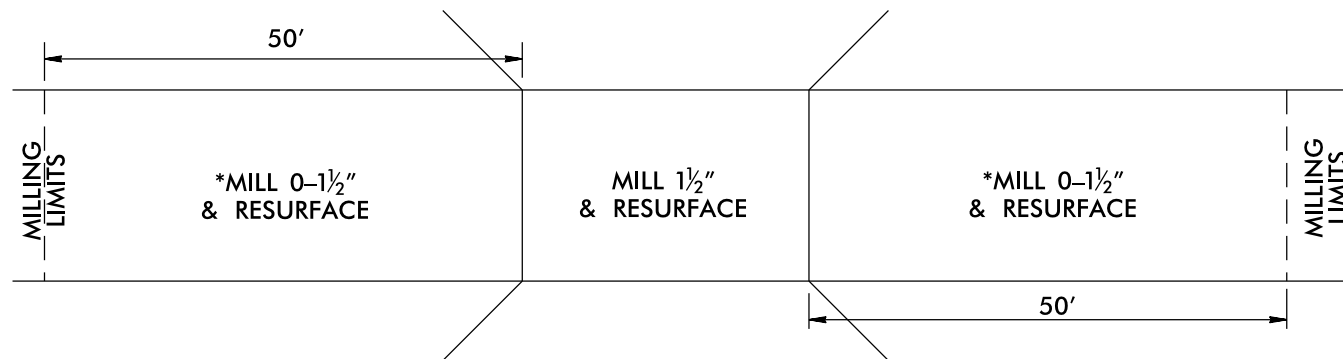
# BRIDGE DETAILS



**USE FOR MAP #1 BRIDGE #29**  
 \* MILLING SHALL BE PAID FOR UNDER INCIDENTAL MILLING

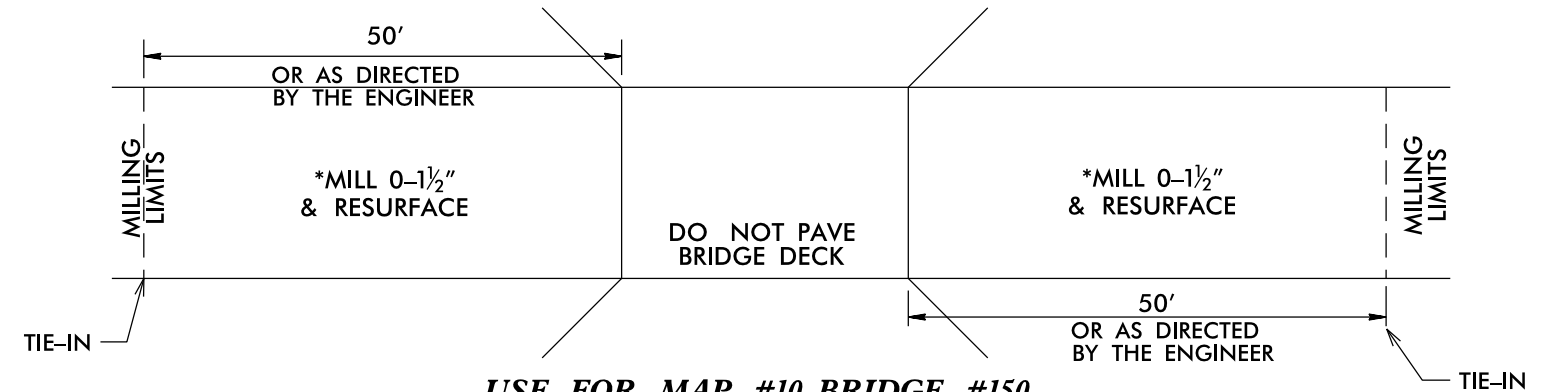


**USE FOR MAP #6 BRIDGE #226**  
 \* MILLING SHALL BE PAID FOR UNDER INCIDENTAL MILLING



**USE FOR MAP #4 BRIDGE #50**  
**USE FOR MAP #7 BRIDGE #2**

\* MILLING FOR APPROACHES SHALL BE PAID FOR UNDER INCIDENTAL MILLING



**USE FOR MAP #10 BRIDGE #150**  
 \* MILLING SHALL BE PAID FOR UNDER INCIDENTAL MILLING