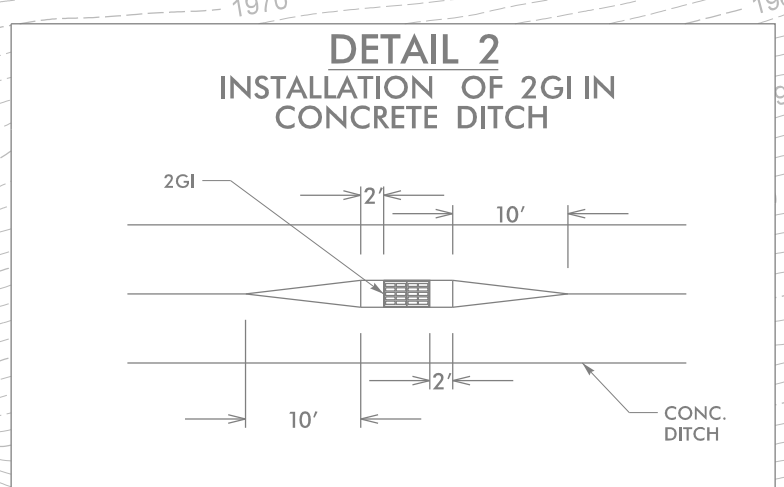
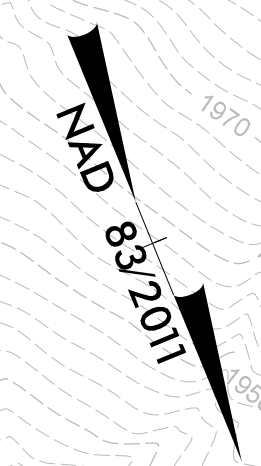


PROJECT REFERENCE NO. 156141075010	SHEET NO. EC-8/CONST.8
RW SHEET NO.	
ROADWAY DESIGN ENGINEER	HYDRAULICS ENGINEER

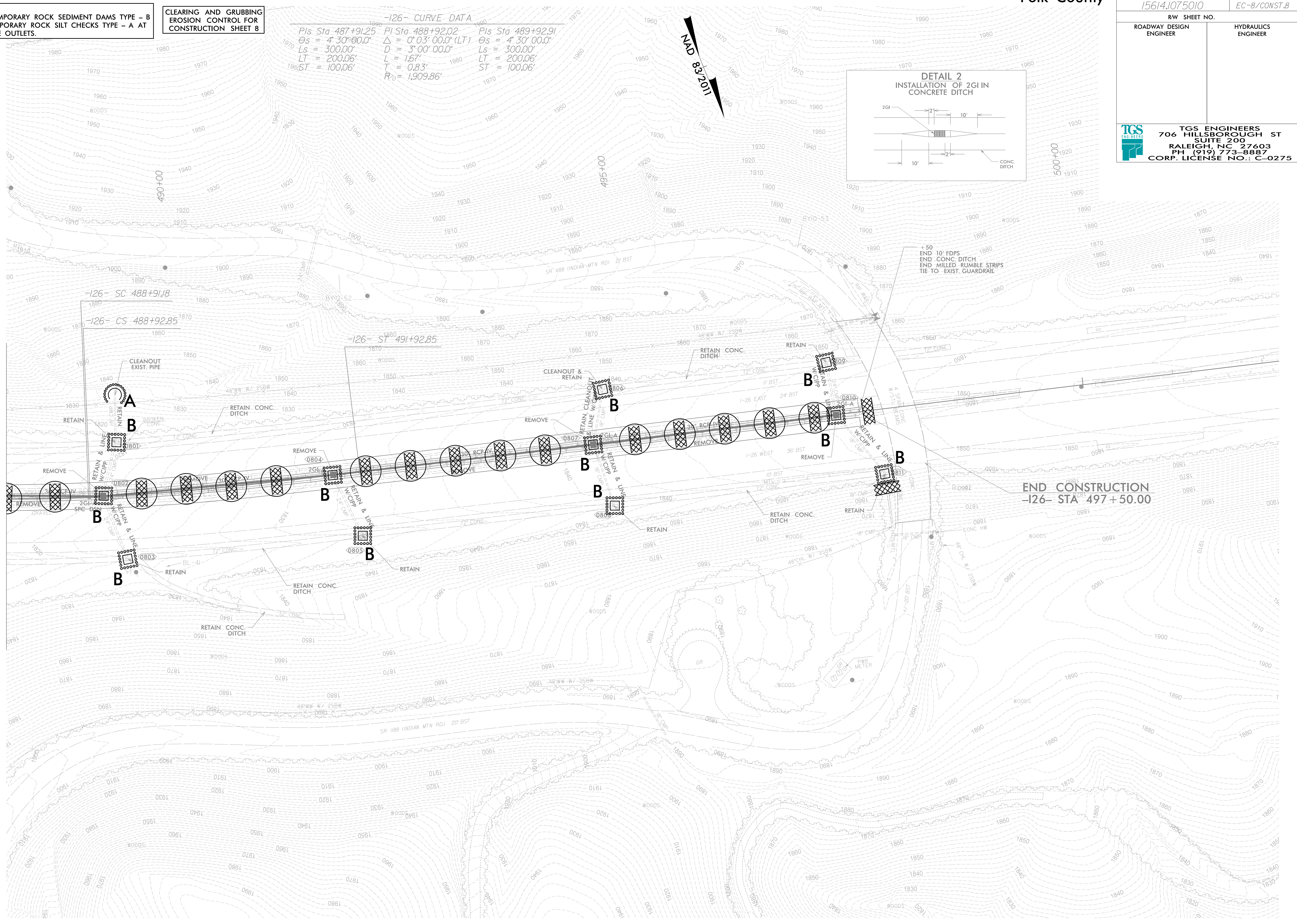
NOTE:
PLACE TEMPORARY ROCK SEDIMENT DAMS TYPE - B
AND TEMPORARY ROCK SILT CHECKS TYPE - A AT
DRAINAGE OUTLETS.

CLEARING AND GRUBBING
EROSION CONTROL FOR
CONSTRUCTION SHEET 8

-126- CURVE DATA
 Pls Sta 487+91.25 Pls Sta 488+92.02 Pls Sta 489+92.91
 $\Delta = 4^\circ 30' 00.0''$ $\Delta = 0^\circ 03' 00.0''$ (LT) $\Delta = 4^\circ 30' 00.0''$
 $L_s = 300.00'$ $D = 3^\circ 00' 00.0''$ $L_s = 300.00'$
 $LT = 200.06'$ $T = 1.67'$ $LT = 200.06'$
 $ST = 100.06'$ $R_c = 0.83'$ $ST = 100.06'$
 $R_c = 1,909.86'$



MATCH LINE STA. -126- 488+00
MATCH TO SHEET NO. 7



END CONSTRUCTION
-126- STA 497+50.00

TGS ENGINEERS
706 HILLSBOROUGH ST
SUITE 200
RALEIGH, NC 27603
PH (919) 773-8887
CORP. LICENSE NO.: C-0275