

CLEARING AND GRUBBING  
EROSION CONTROL FOR  
CONSTRUCTION SHEET 5

# MATCH LINE MATCH TO SHEET NO. 9

NOTE:  
PLACE TEMPORARY ROCK SEDIMENT DAMS TYPE - B  
AND TEMPORARY ROCK SILT CHECKS TYPE - A AT  
DRAINAGE OUTLETS.

IN LIEU OF ROCK INLET SEDIMENT TRAP TYPE C,  
UTILIZE FABRIC INSERT INLET PROTECTION  
DEVICES IN AREAS WHERE WATER MAY  
POND ON ROAD OPEN TO LIVE TRAFFIC AND  
ON JUNCTION BOXES INSTALLED ON STEEP SLOPES.

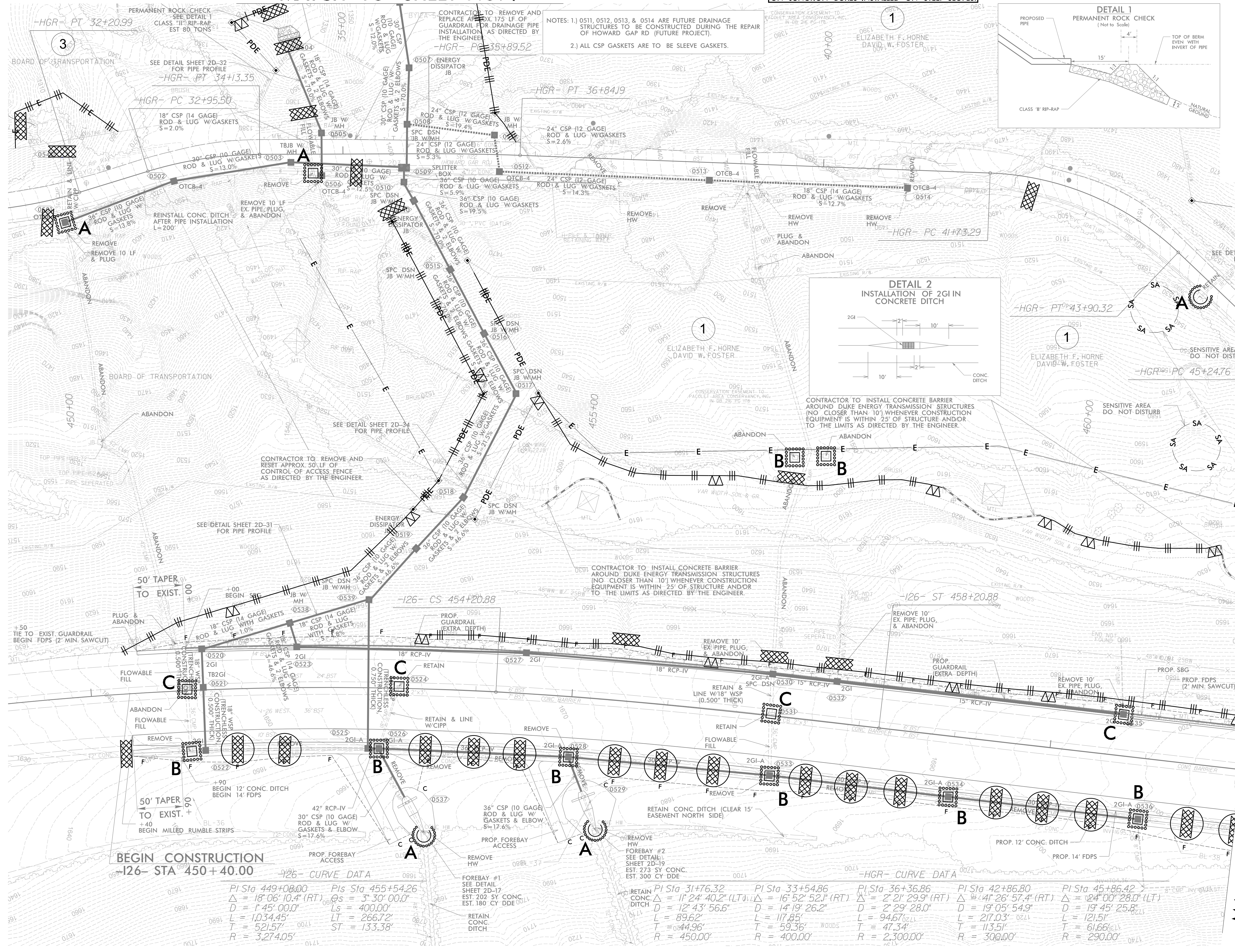
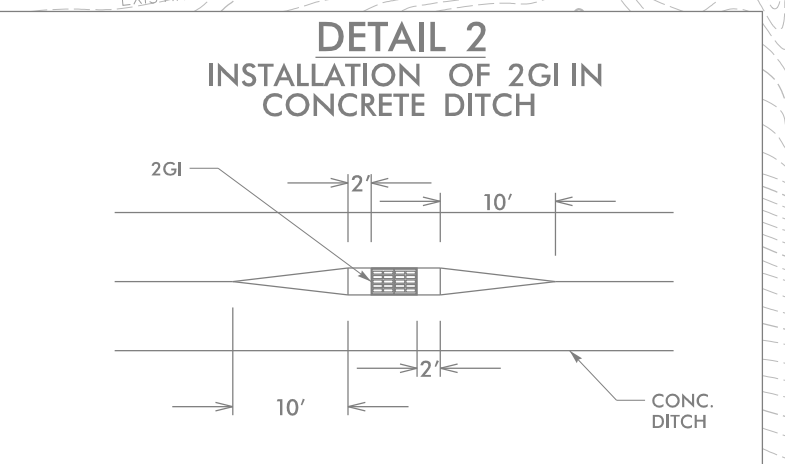
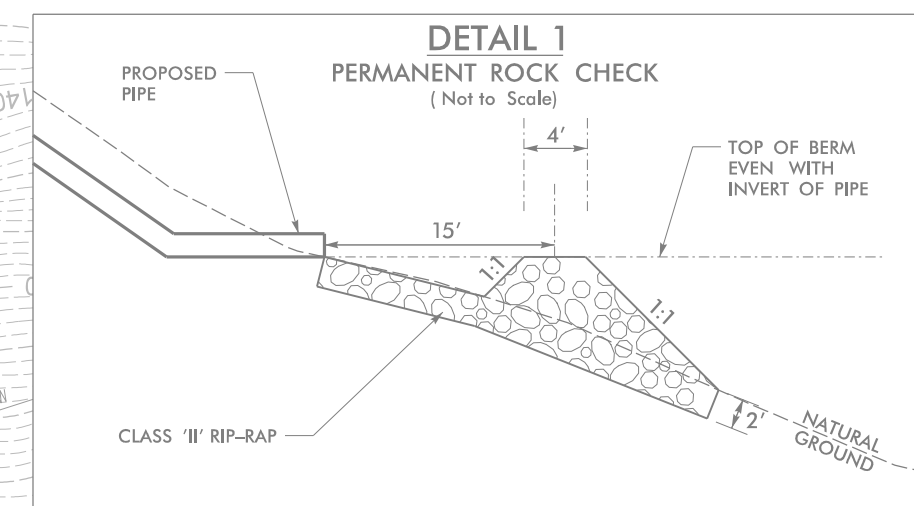
SA SENSITIVE AREA

Polk County

PROJECT REFERENCE NO. 15614.1075010  
SHEET NO. EC-5/CONST.5

RW SHEET NO. ROADWAY DESIGN ENGINEER HYDRAULICS ENGINEER

TGS ENGINEERS  
706 HILLSBOROUGH ST  
SUITE 200  
RALEIGH, NC 27603  
PH (919) 773-8887  
CORP. LICENSE NO.: C-0275



BEGIN CONSTRUCTION  
-126- STA 450+40.00

### -126- CURVE DATA

PI Sta 449+08.00	PIs Sta 455+54.26
$\Delta = 18^{\circ} 08' 10.4''$ (RT)	$\Delta = 3^{\circ} 30' 00.0''$
$D = 1^{\circ} 45' 00.0''$	$L_s = 400.00'$
$L = 1,034.45'$	$LT = 266.72'$
$T = 521.57'$	$ST = 133.38'$
$R = 3,274.05'$	

PI Sta 31+76.32	PI Sta 33+54.86
$\Delta = 11^{\circ} 24' 40.2''$ (LT)	$\Delta = 16^{\circ} 52' 52.1''$ (RT)
$D = 12^{\circ} 43' 56.6''$	$D = 14^{\circ} 19' 26.2''$
$L = 89.62'$	$L = 117.85'$
$T = 44.96'$	$T = 59.36'$
$R = 450.00'$	$R = 400.00'$

### -HGR- CURVE DATA

PI Sta 36+36.86	PI Sta 42+86.80
$\Delta = 2^{\circ} 29' 29.9''$ (RT)	$\Delta = 41^{\circ} 26' 57.4''$ (RT)
$D = 2^{\circ} 29' 28.0''$	$D = 19^{\circ} 05' 54.9''$
$L = 117.85'$	$L = 121.03'$
$T = 47.34'$	$T = 113.51'$
$R = 2,300.00'$	$R = 300.00'$

PI Sta 45+86.42	
$\Delta = 124^{\circ} 00' 28.0''$ (LT)	
$D = 19^{\circ} 45' 25.8''$	
$L = 121.51'$	
$T = 61.66'$	
$R = 290.00'$	

MATCH LINE STA. -126- 462+00  
MATCH TO SHEET NO. 6

NAD 83/2011