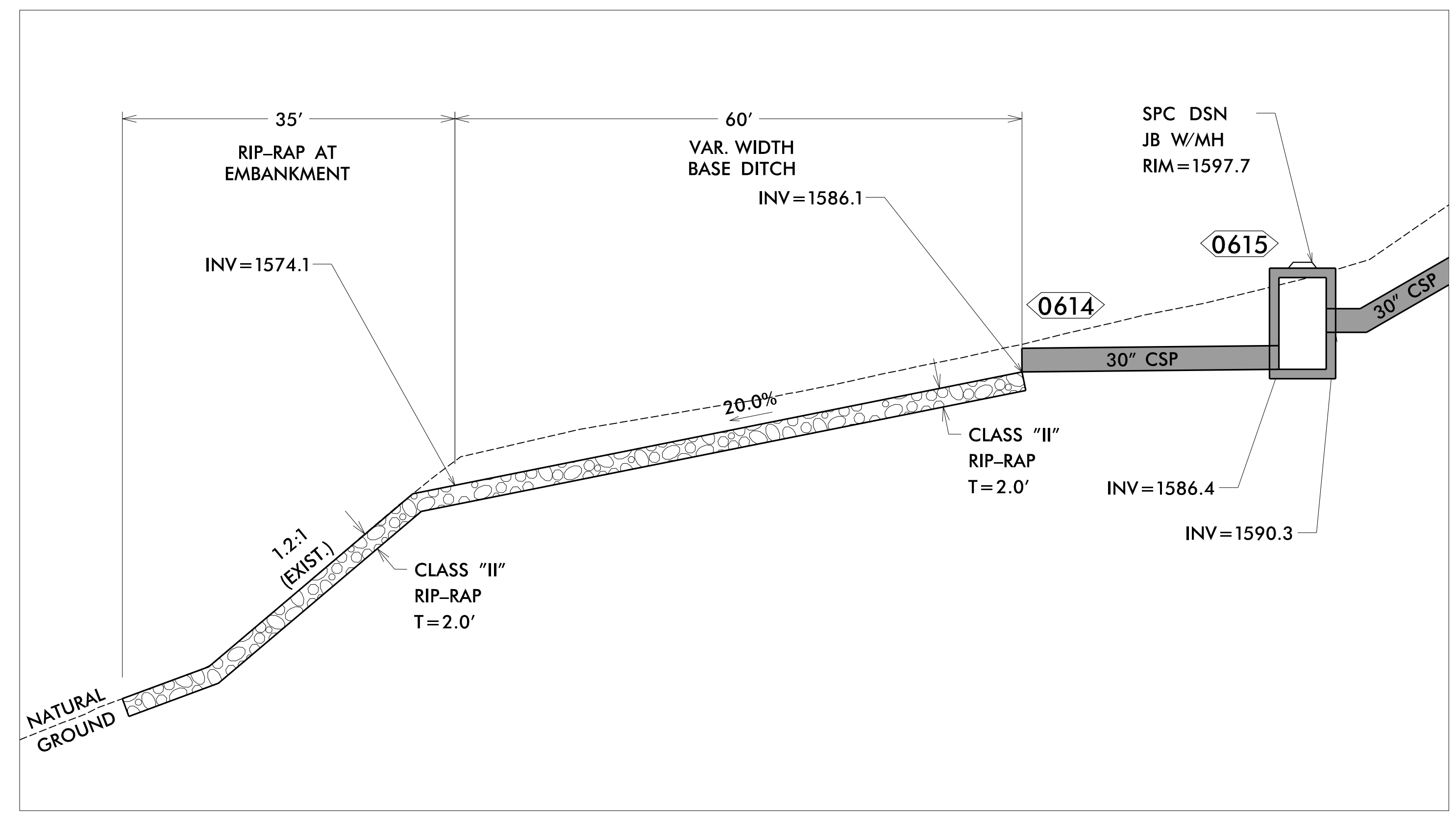


8/17/99

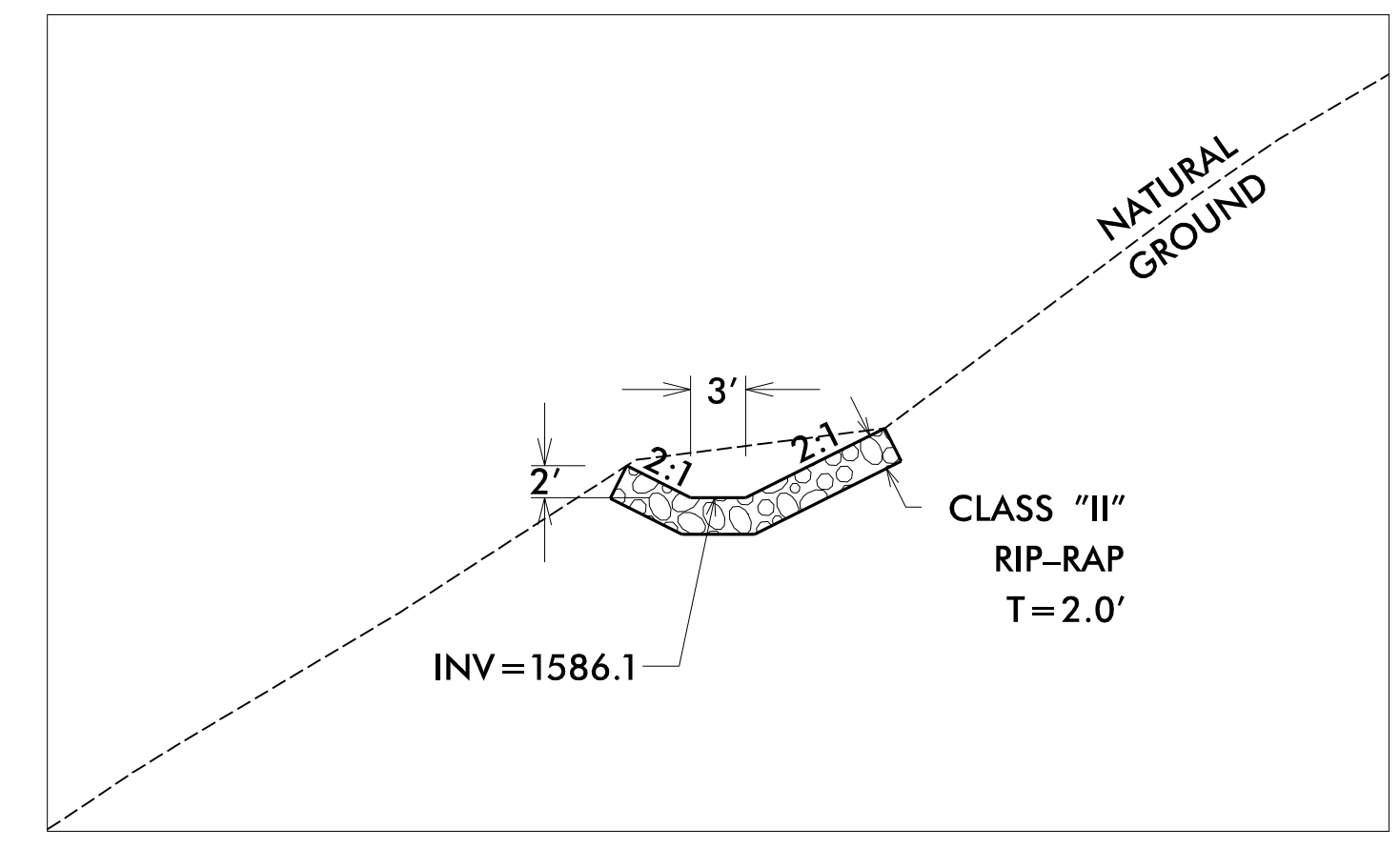
VARIABLE WIDTH BASE DITCH -HGR- 52 + 75 LT

(NOT TO SCALE)

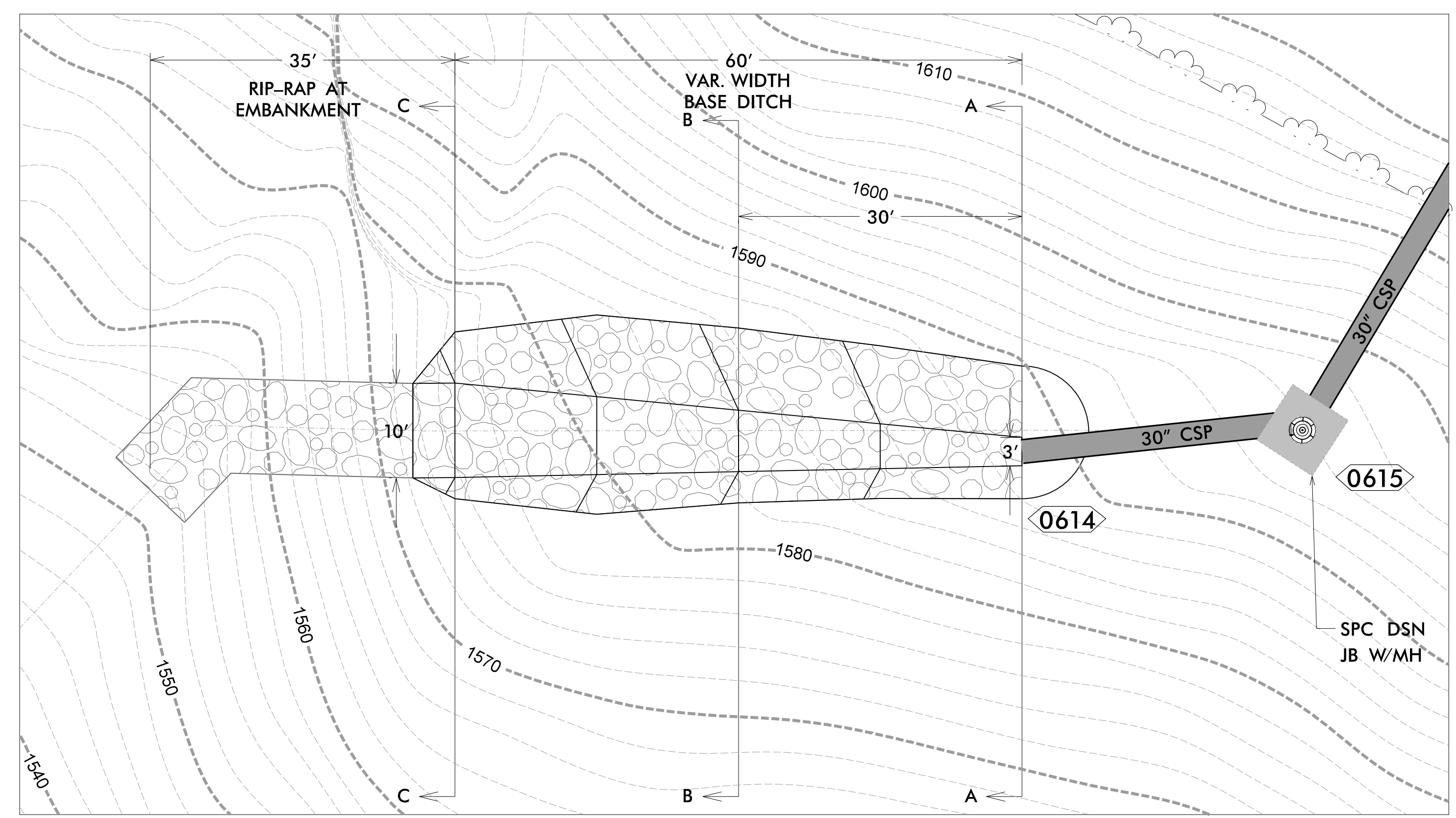
PROJECT REFERENCE NO. 15614.1075010	SHEET NO. 2D-13
RW SHEET NO.	
HYDRAULICS ENGINEER	
DOCUMENT NOT CONSIDERED FINAL UNLESS ALL SIGNATURES COMPLETED	
TGS ENGINEERS 804-C N. LAFAYETTE ST SHELBY, NC 28150 PH (704) 476-0003 CORP. LICENSE NO.: C-0275	



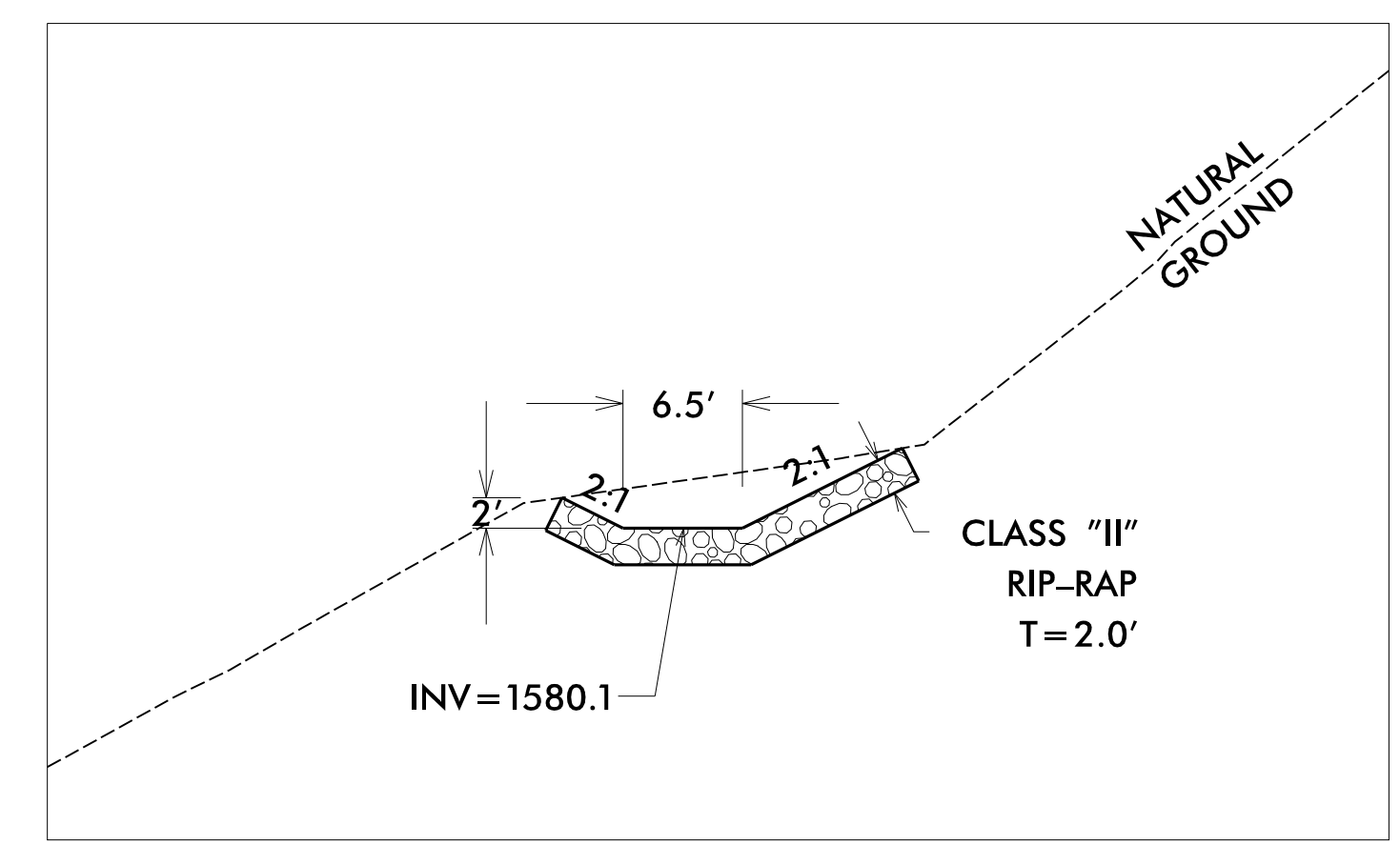
PROFILE VIEW



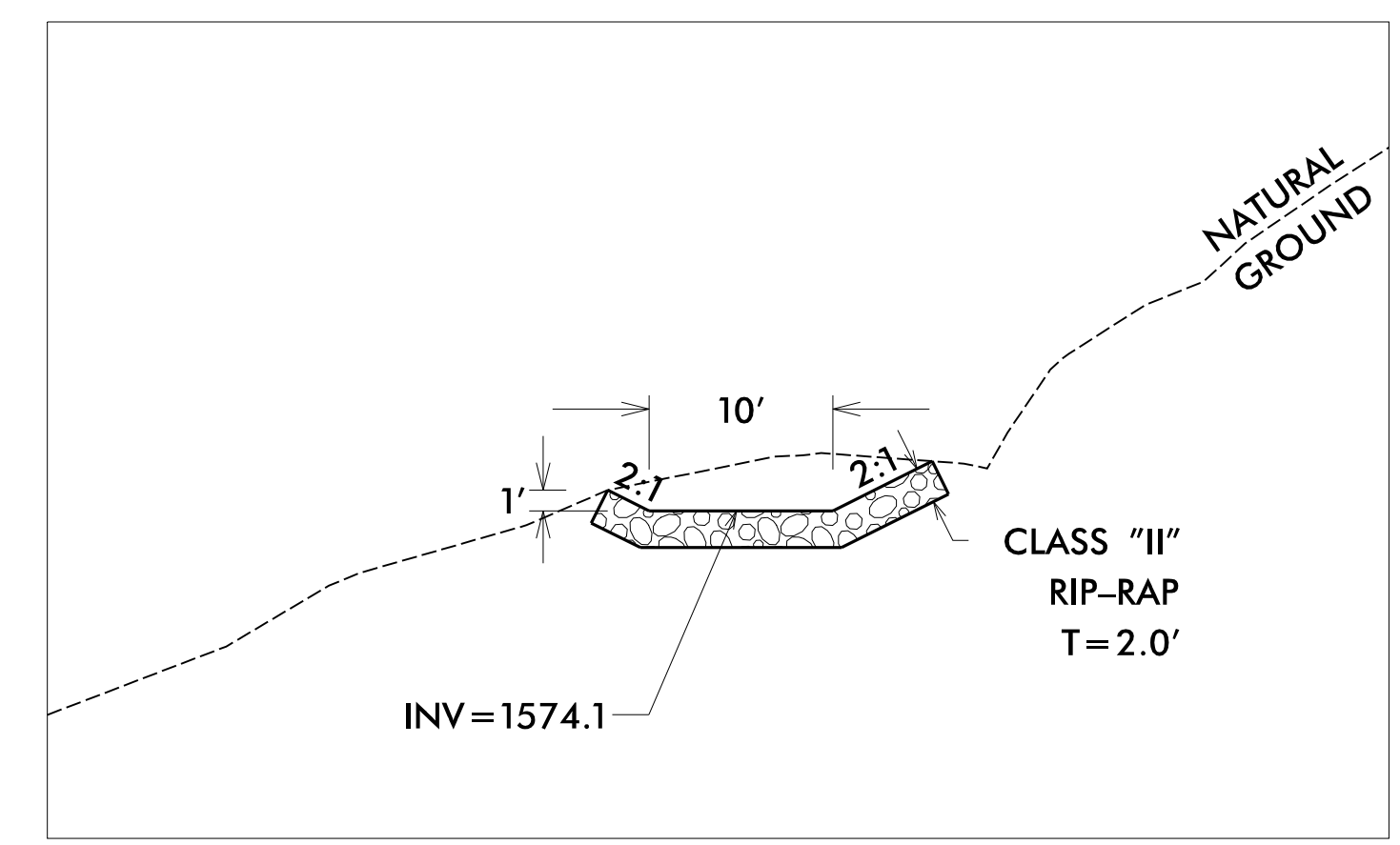
SECTION A-A



PLAN VIEW



SECTION B-B



SECTION C-C

REVISIONS

4/6/2021 X:\N06061\1-26 Howard Gap Rd Rehab\Drainage\1-26 Howard Gap_Hydr_Base_Ditch_PSH.dgn User:benegar