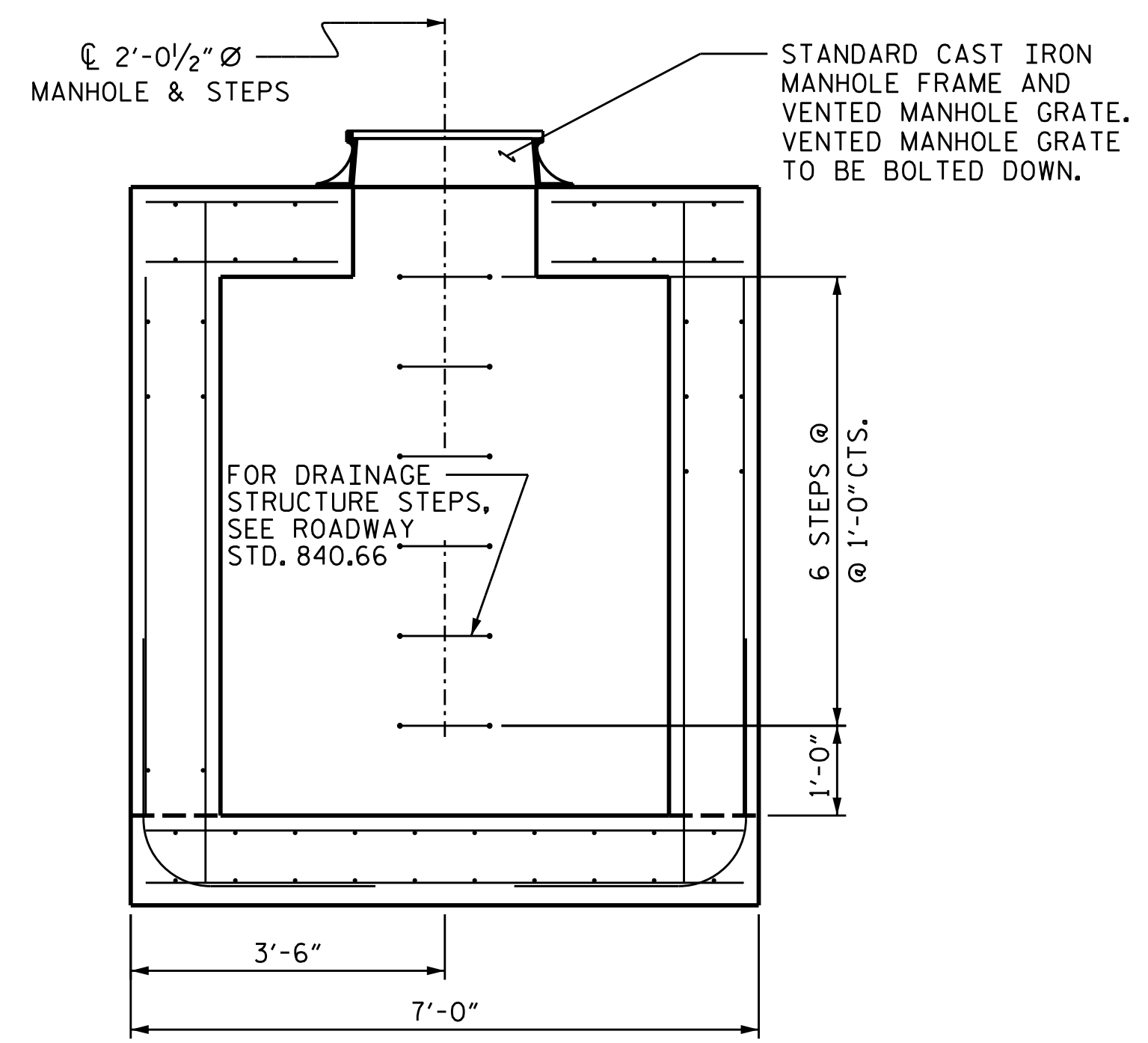
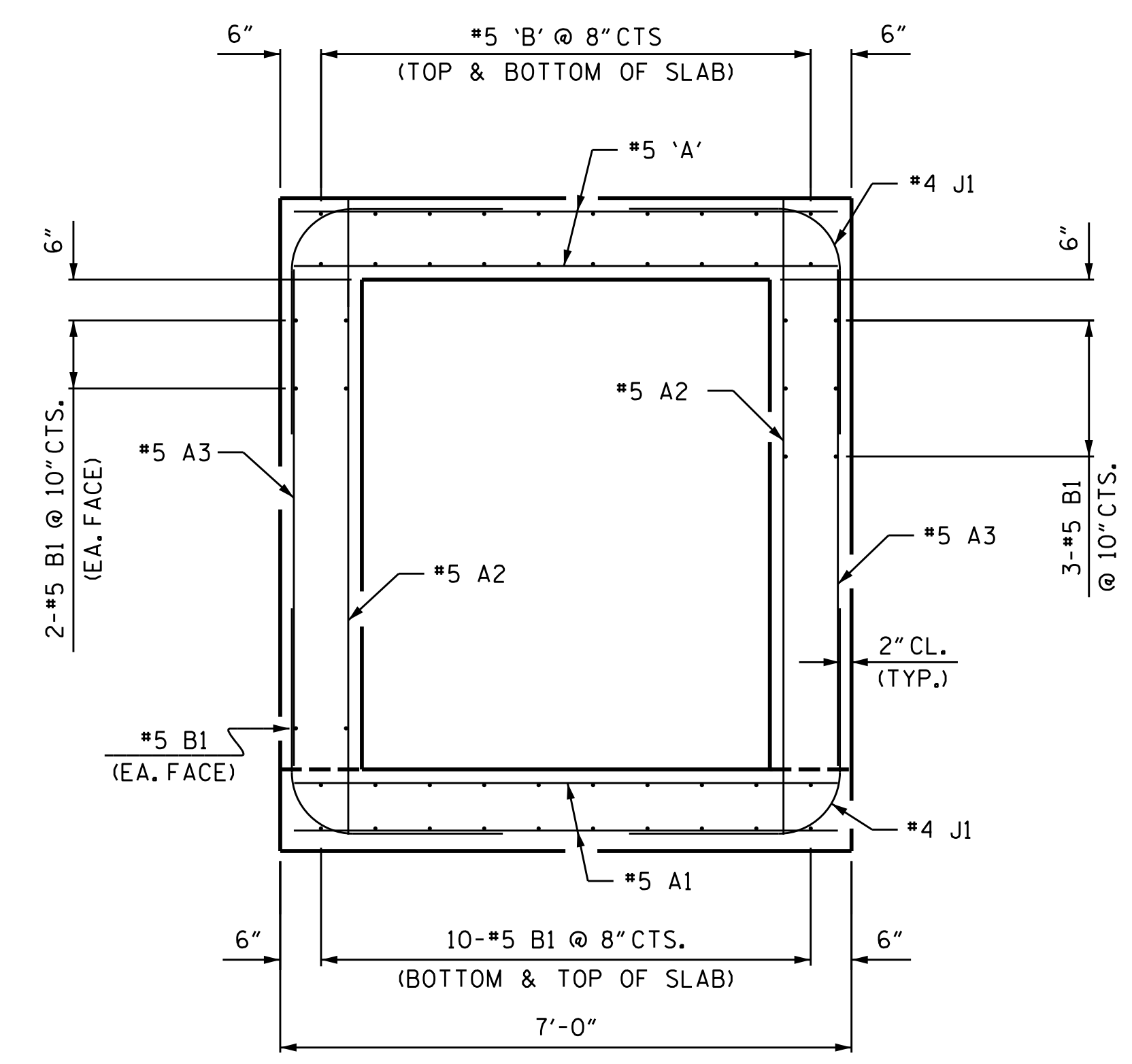


DOCUMENT NOT CONSIDERED FINAL
UNLESS ALL SIGNATURES COMPLETED

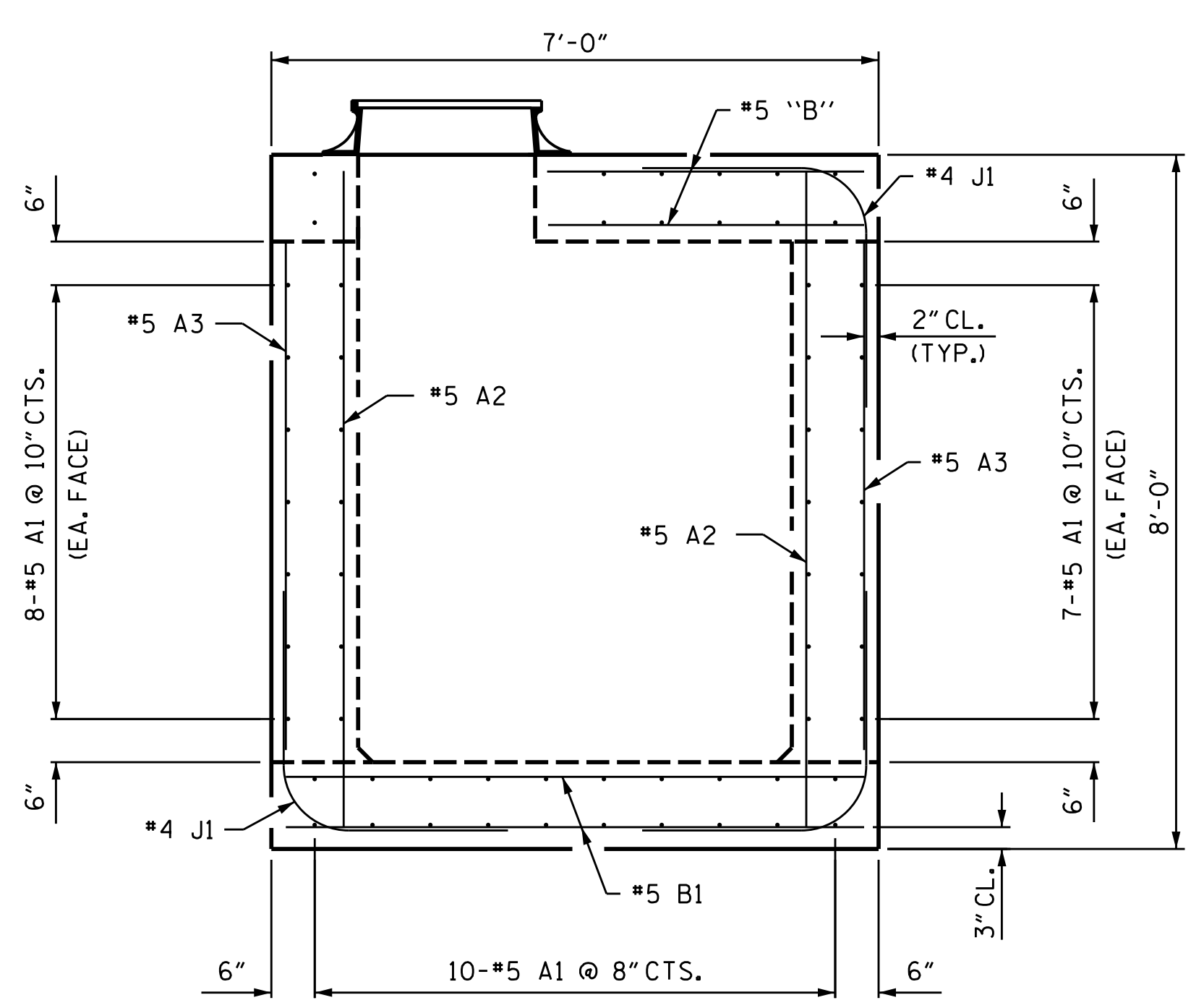
TGS ENGINEERS
706 HILLSBOROUGH STREET
SUITE 200
RALEIGH, NC 27603
PH (919) 773-8887
CORP. LICENSE NO.: C-0275



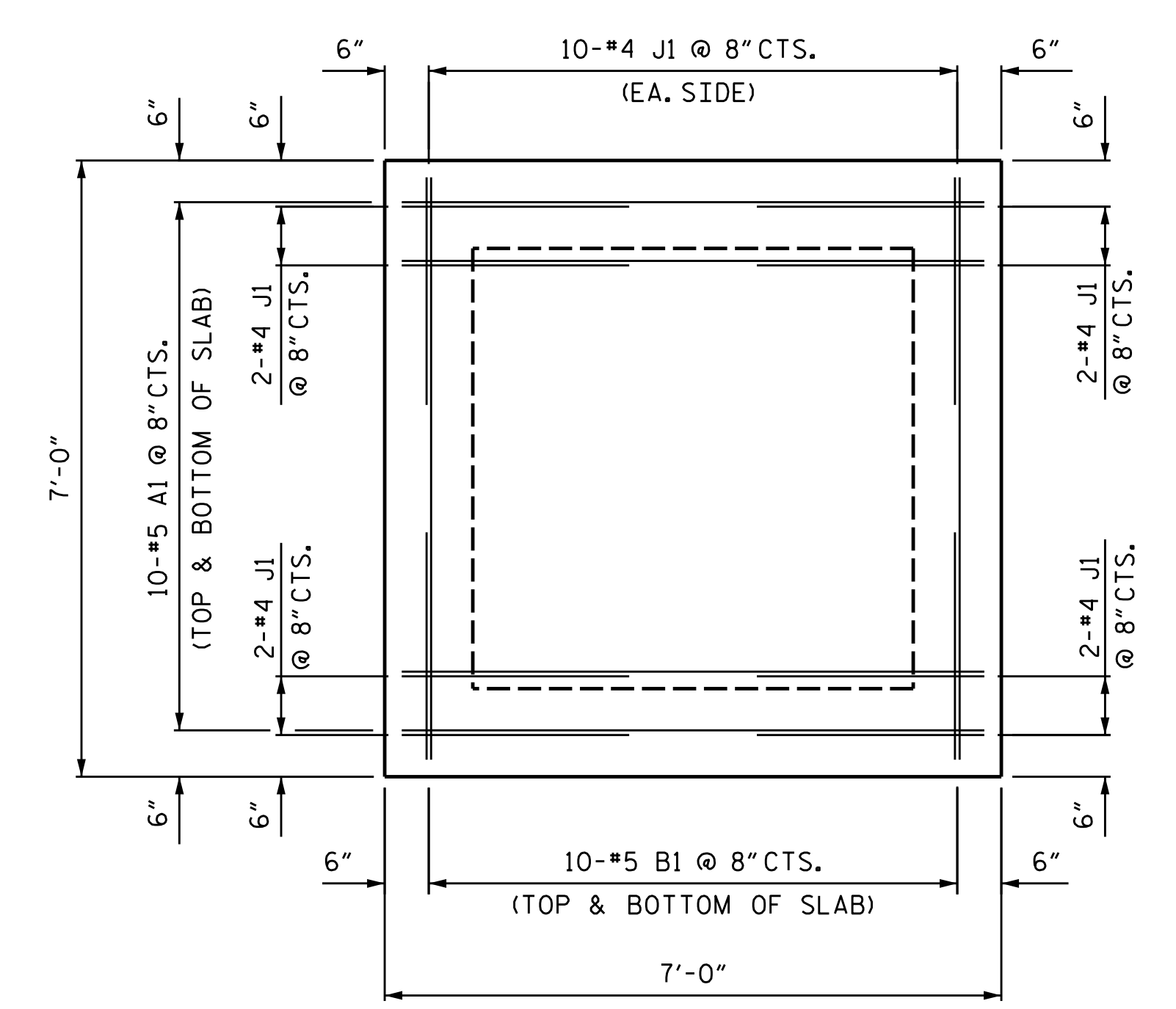
SECTION A-A



SECTION B-B



SECTION C-C



FLOOR SLAB

SHEET 2 OF 3

STATE OF NORTH CAROLINA
DEPARTMENT OF TRANSPORTATION
RALEIGH

SPECIAL DESIGN
JUNCTION BOX

DRAWN BY : STM DATE : 03/21
CHECKED BY : MGC DATE : 03/21