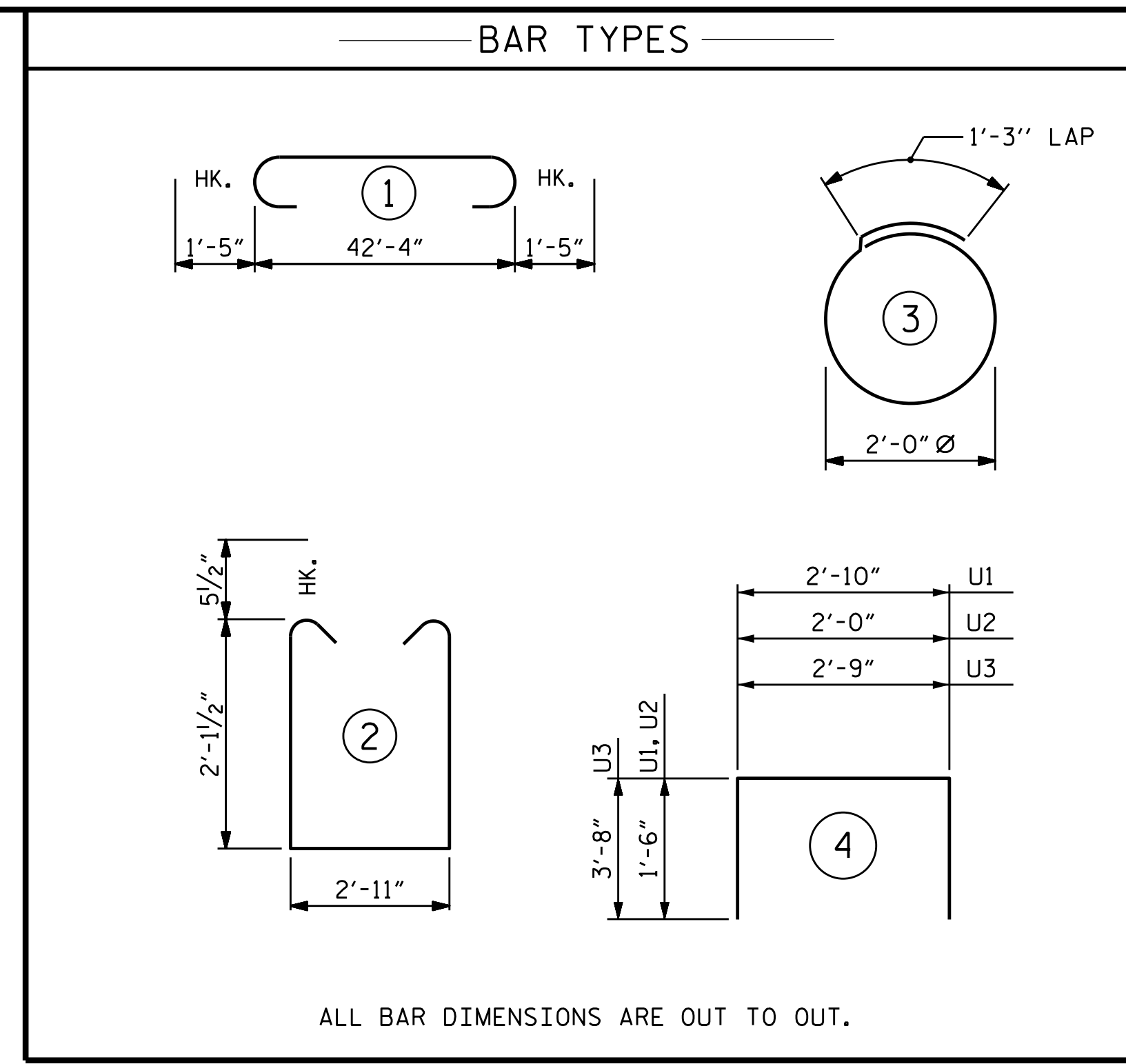
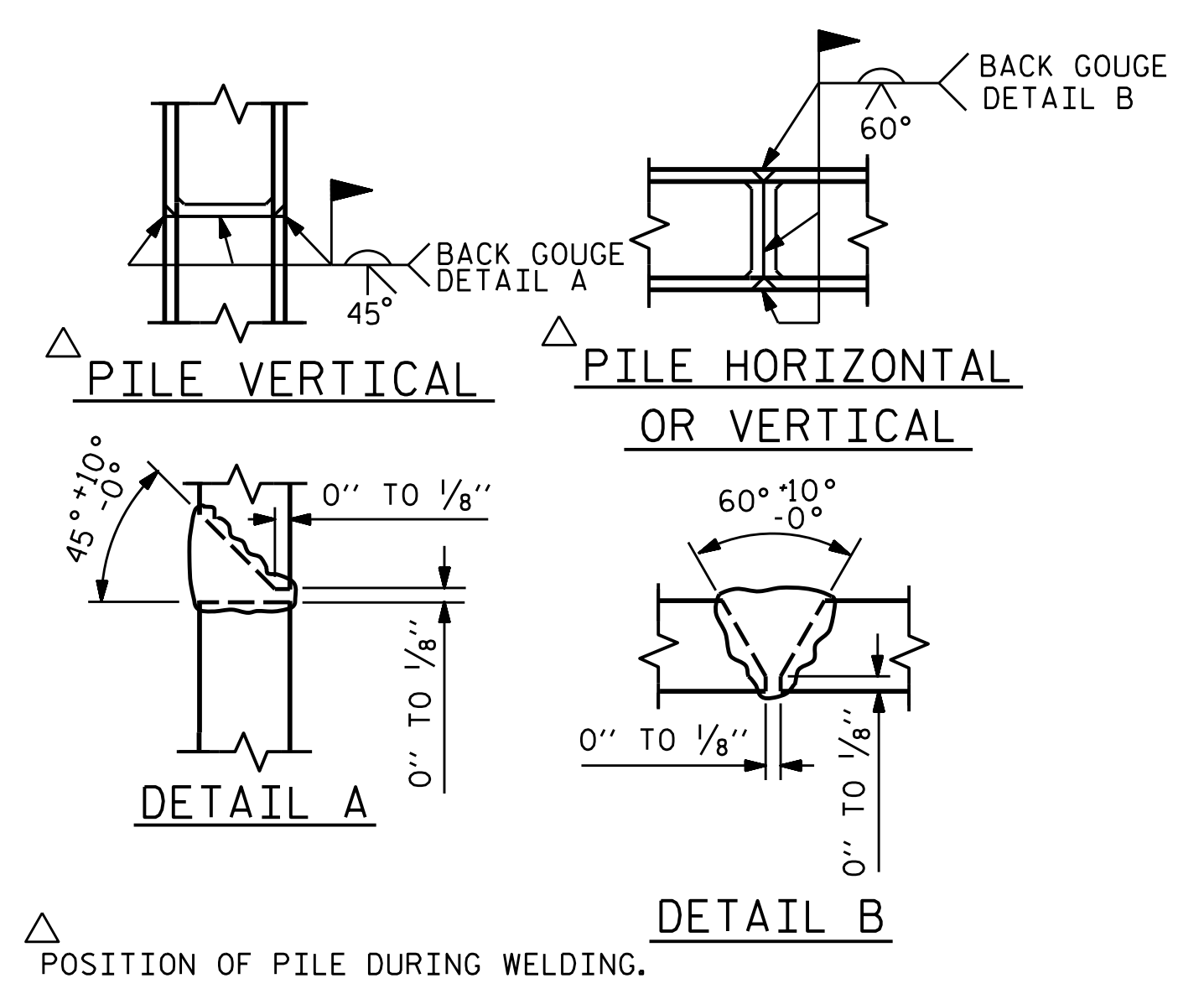


END OF CAP VIEW
(TYPICAL BOTH ENDS)

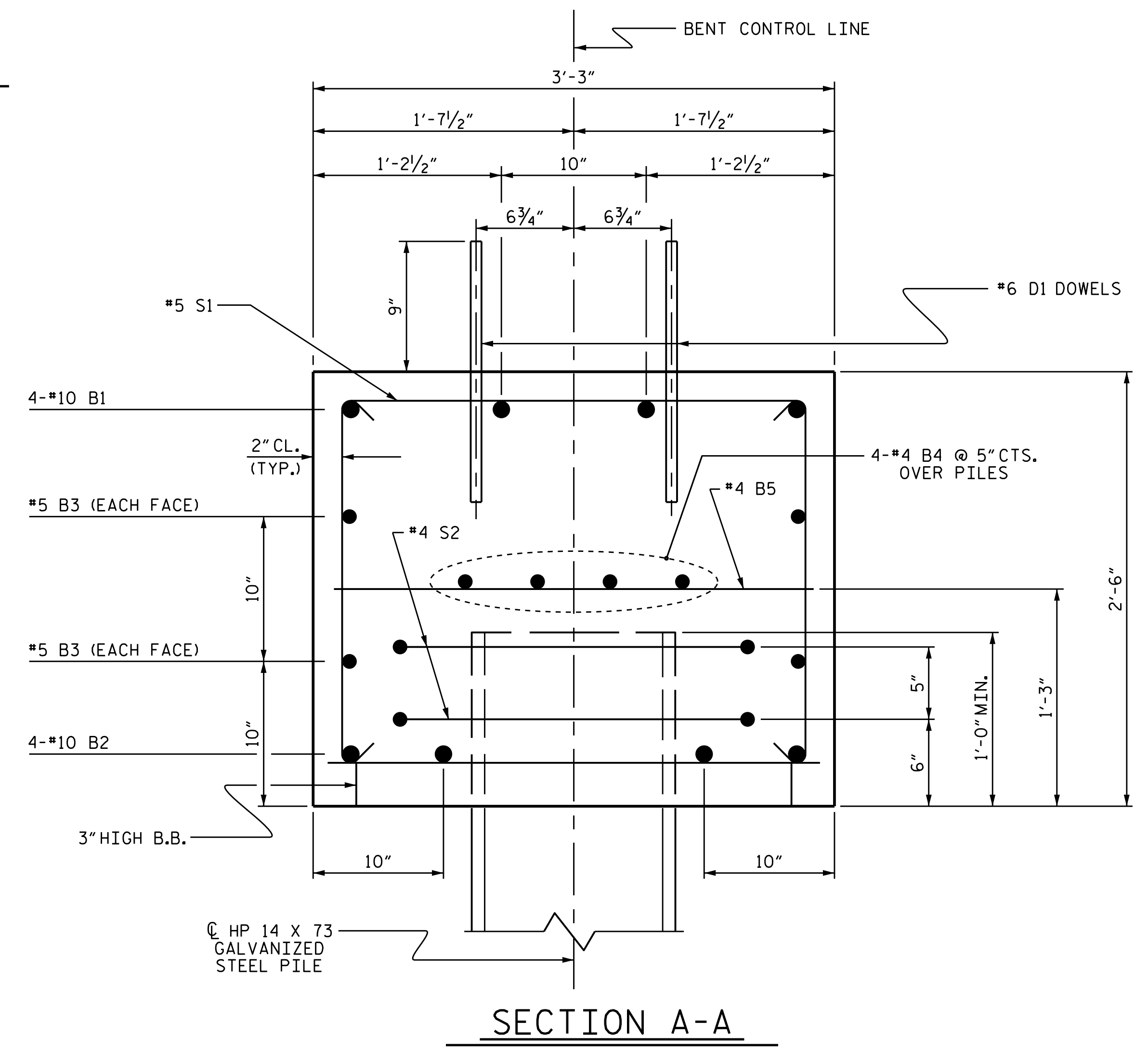


ALL BAR DIMENSIONS ARE OUT TO OUT.

BILL OF MATERIAL FOR BENT No. 1					
BAR	NO.	SIZE	TYPE	LENGTH	WEIGHT
B1	4	#10	1	45'-2"	777
B2	4	#10	STR	42'-6"	732
B3	4	#5	STR	42'-6"	177
B4	8	#4	STR	22'-6"	120
B5	11	#4	STR	2'-11"	21
D1	44	#6	STR	1'-6"	99
S1	46	#5	2	8'-1"	388
S2	16	#4	3	7'-7"	81
U1	4	#4	4	5'-10"	16
U2	6	#4	4	5'-0"	20
U3	2	#9	4	10'-1"	69
REINFORCING STEEL					2500 LBS
CLASS A CONCRETE BREAKDOWN					
TOTAL CLASS A CONCRETE					12.9 C.Y.
HP 14 X 73 GALVANIZED STEEL PILES					
No. 8					LN.FT. 640
PILE DRIVING EQUIPMENT SETUP FOR HP 14 X 73 GALVANIZED STEEL PILES					
					NO: 8 EA.
PILE REDRIVES					NO: 4 EA.

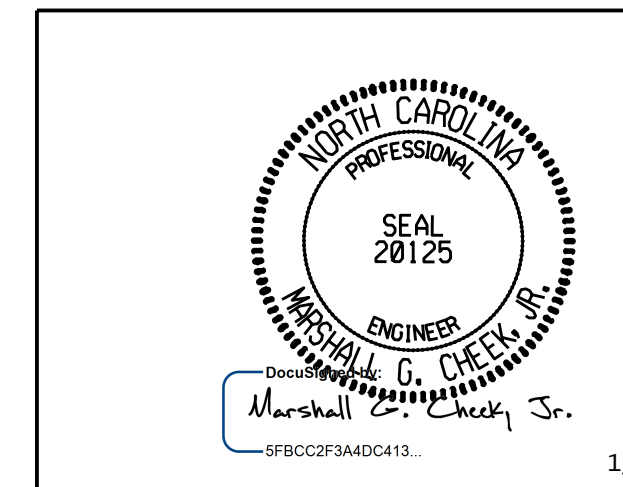


PILE SPLICE DETAILS



SECTION A-A

PROJECT NO. 17BP.2.R.92
PITT COUNTY
STATION: 13+78.50 -L-
SHEET 2 OF 2



STATE OF NORTH CAROLINA
DEPARTMENT OF TRANSPORTATION
RALEIGH
SUBSTRUCTURE
BENT No. 1

ASSEMBLED BY : ZCS	DATE : 09/19
CHECKED BY : MGC	DATE : 09/19
DRAWN BY : DGE 05/10	REV. 6/17
CHECKED BY : MKT 05/10	MAA/THC

DOCUMENT NOT CONSIDERED FINAL UNLESS ALL SIGNATURES COMPLETED
TGS ENGINEERS
706 HILLSBOROUGH STREET SUITE 200
RALEIGH, NC 27603
PH (919) 773-8887
CORP. LICENSE NO.: C-0275

REVISIONS						SHEET NO.
NO.	BY:	DATE:	NO.	BY:	DATE:	S-16
1			3			TOTAL SHEETS 19
2			4			