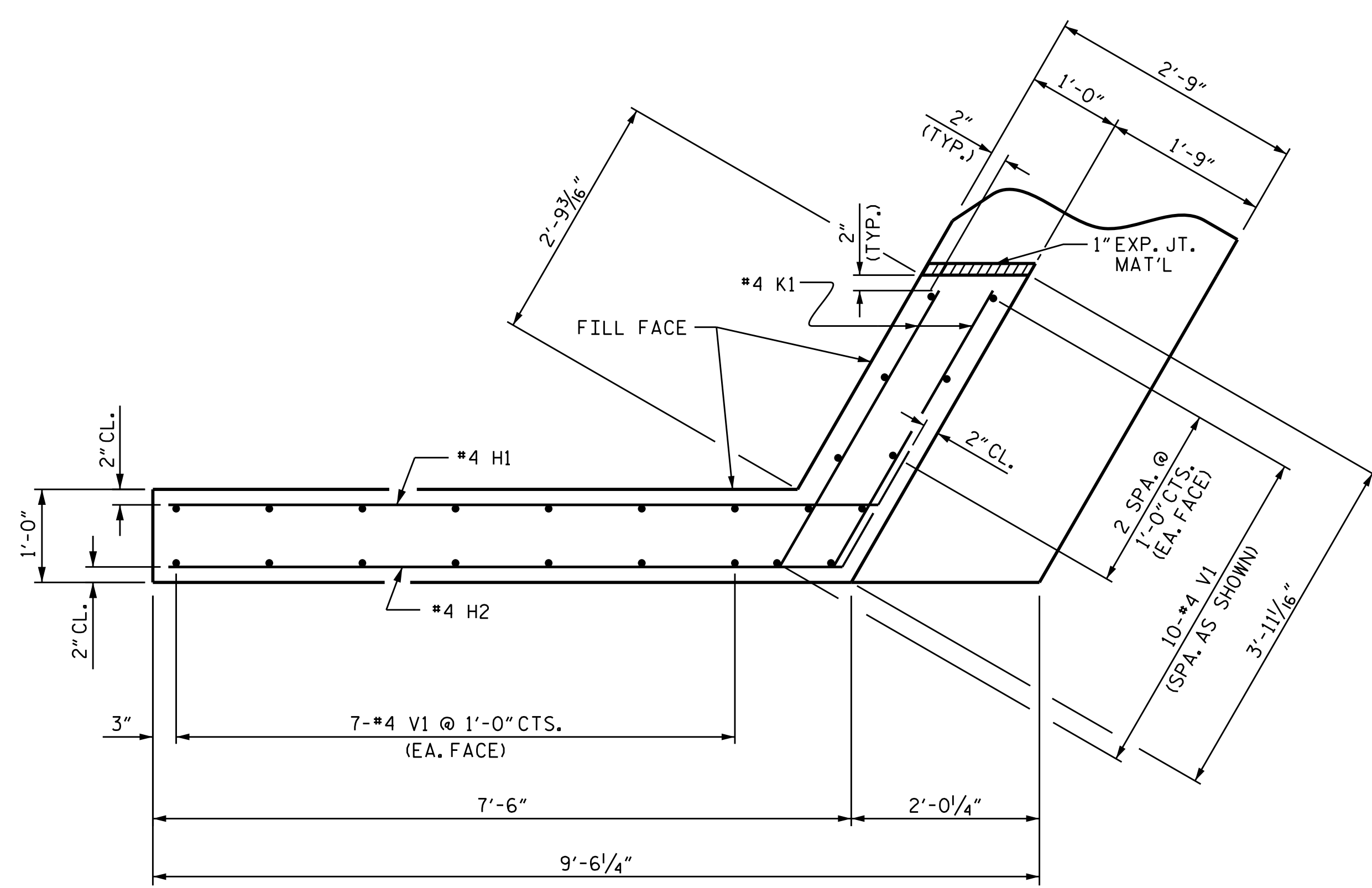
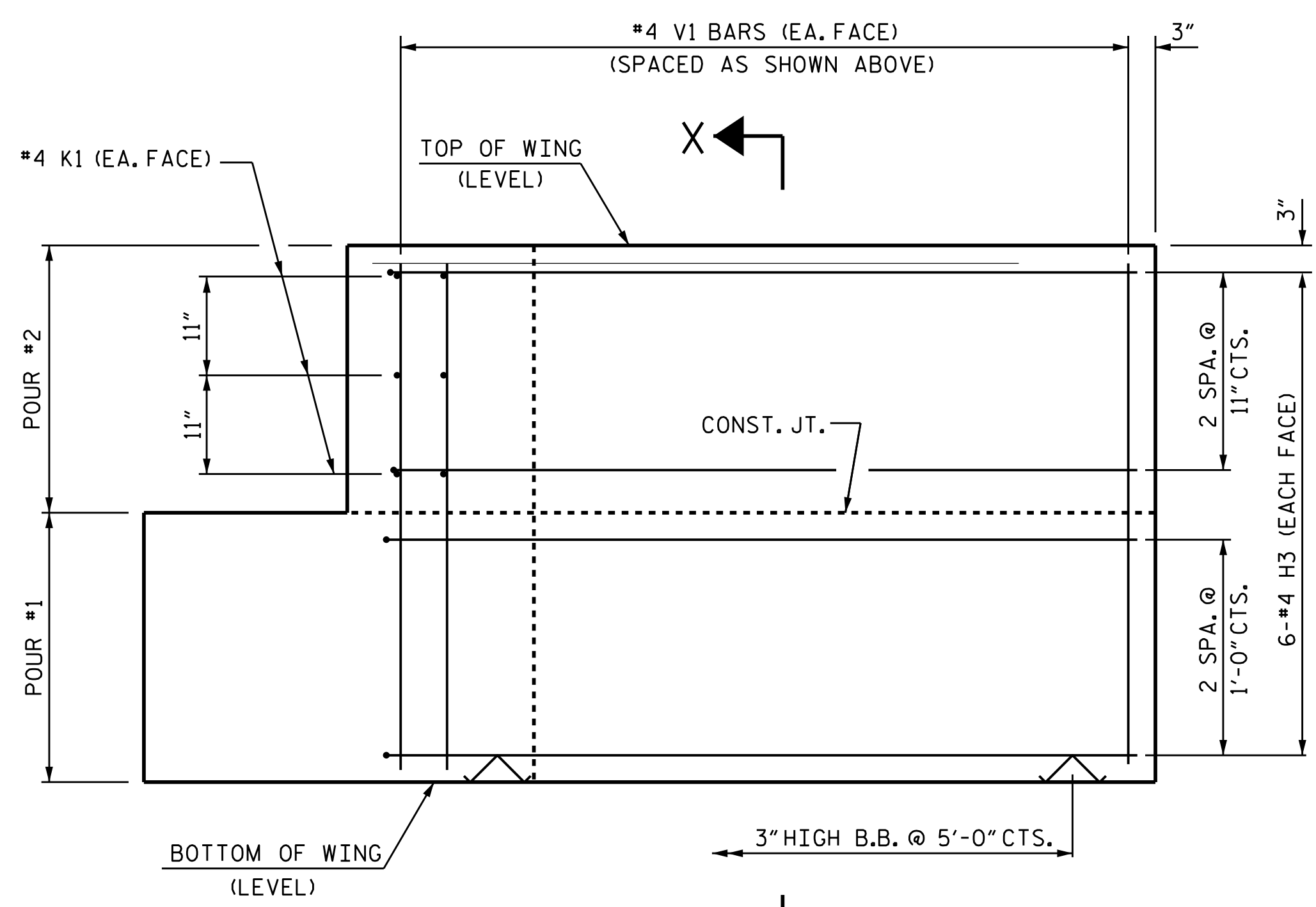


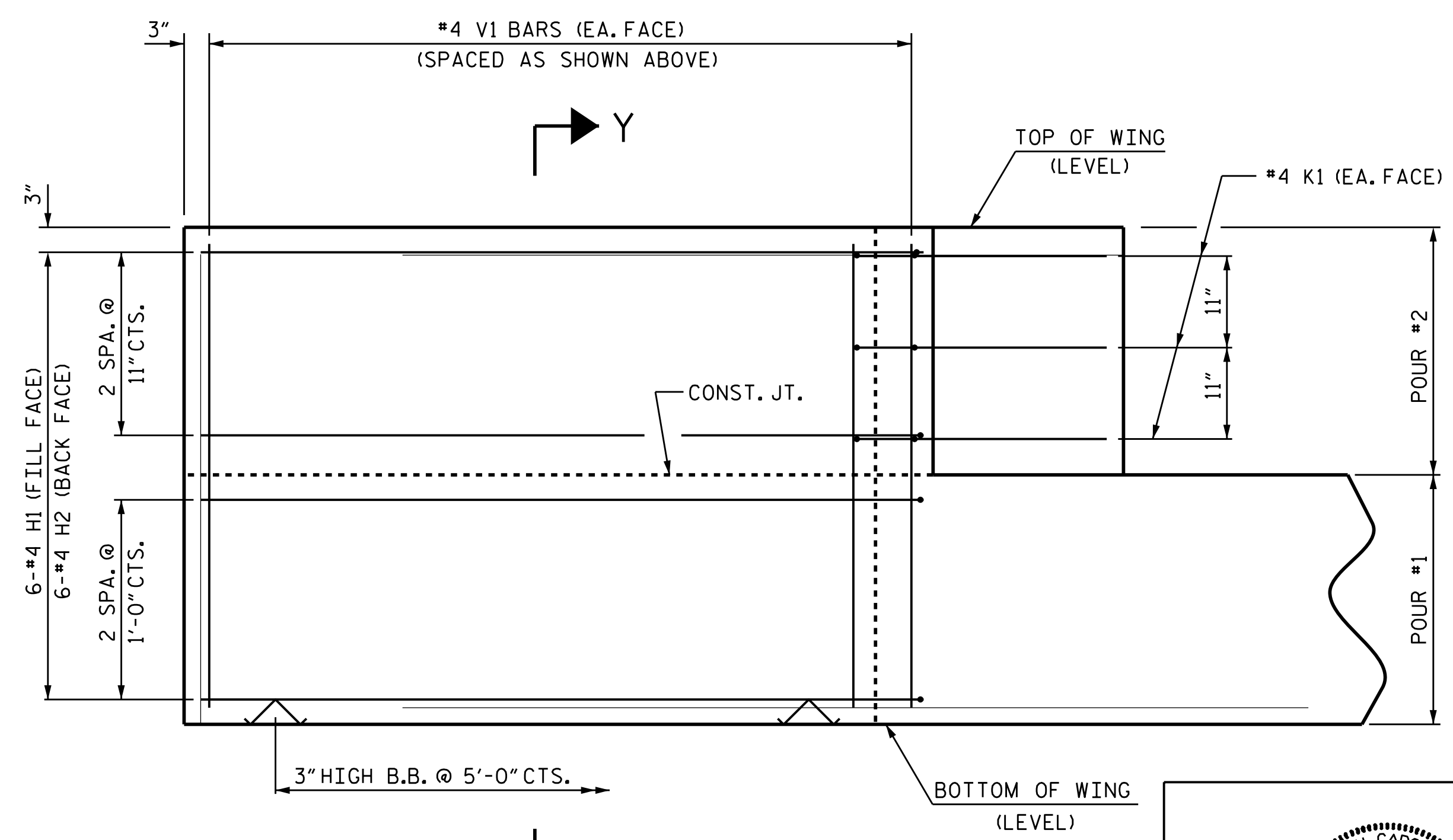
PLAN OF WING (W1)



PLAN OF WING (W2)

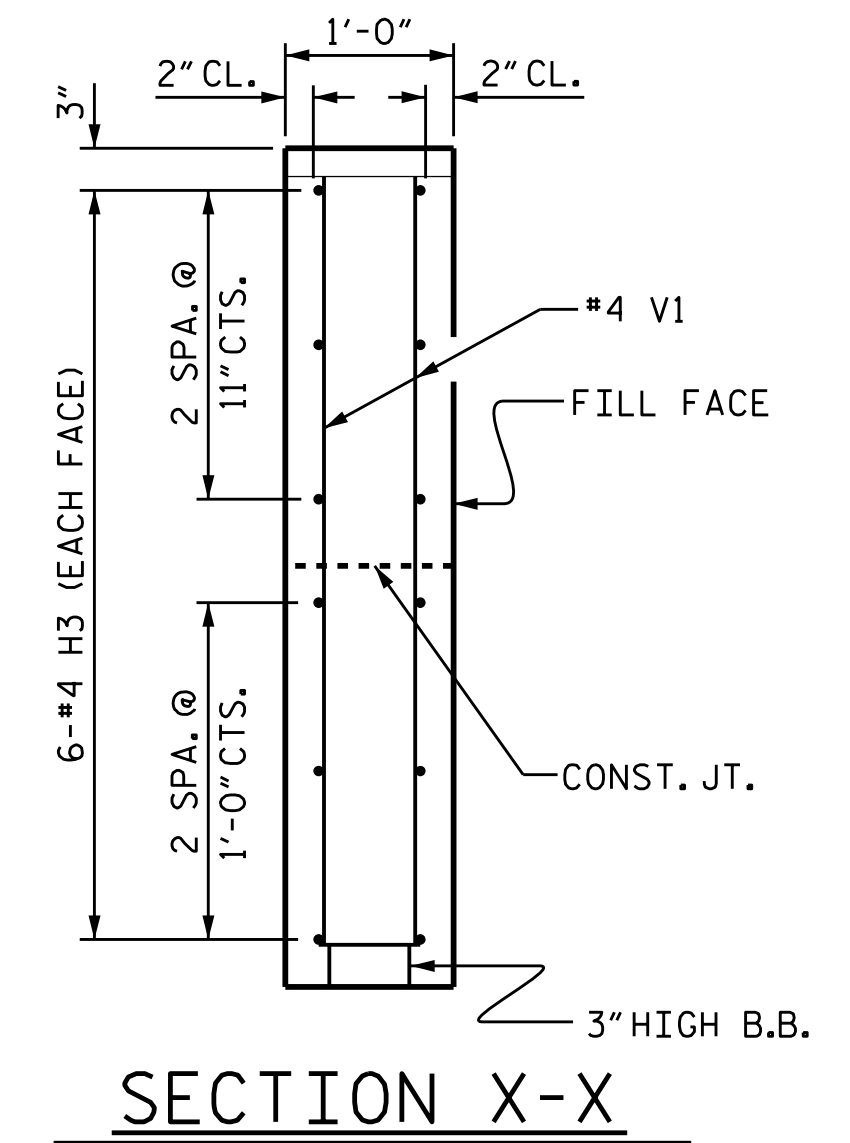


ELEVATION OF WING (W1)

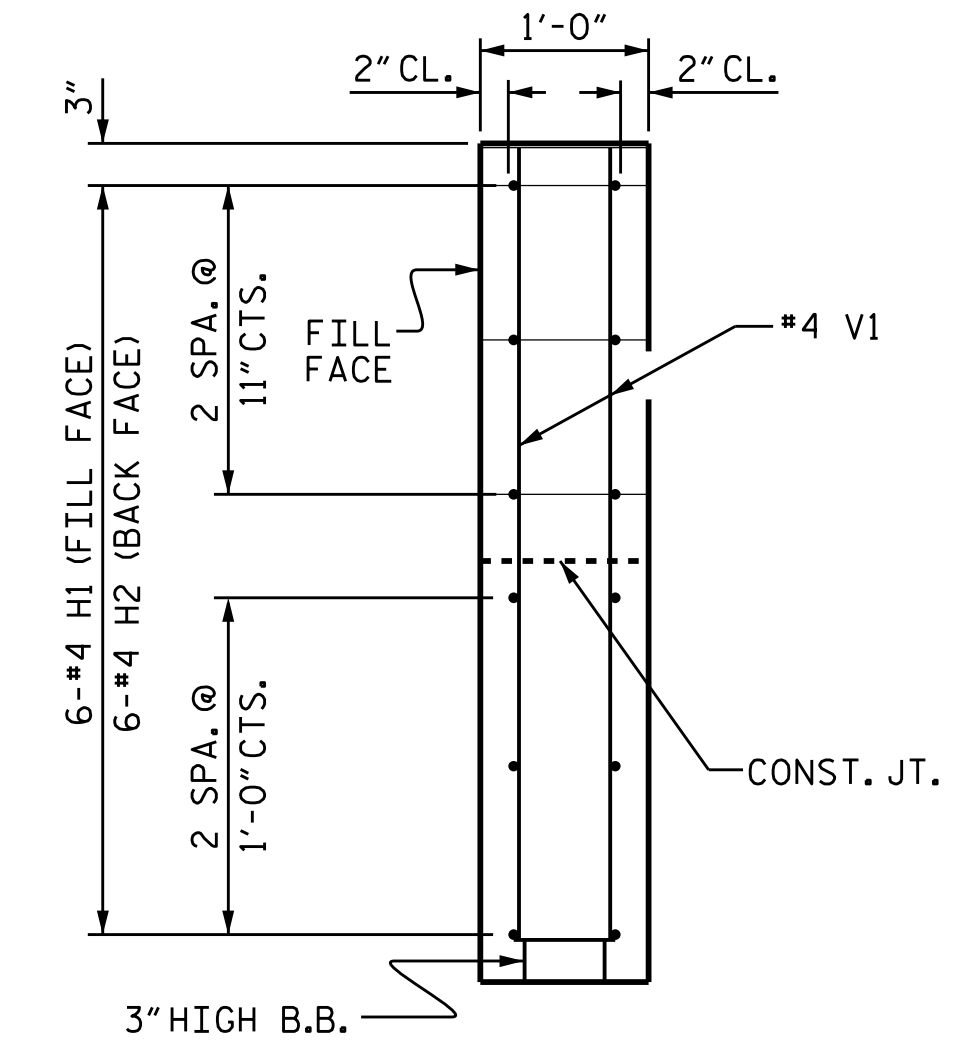


ELEVATION OF WING (W2)

WING DETAILS



SECTION X-X



SECTION Y-Y

PROJECT NO. 17BP.2.R.92
 PITT COUNTY
 STATION: 13+78.50 -L-

SHEET 3 OF 4

DOCUMENT NOT CONSIDERED FINAL
 UNLESS ALL SIGNATURES COMPLETED

STATE OF NORTH CAROLINA
 DEPARTMENT OF TRANSPORTATION
 RALEIGH

SUBSTRUCTURE
 END BENT
 WING DETAILS

REVISIONS						SHEET NO.
NO.	BY:	DATE:	NO.	BY:	DATE:	S-13
1			3			TOTAL SHEETS
2			4			19

ASSEMBLED BY :	ZCS	DATE :	06/19
CHECKED BY :	MGC	DATE :	09/19
DRAWN BY :	DGE 12/09	REV. 4/15	MAA/TMG
CHECKED BY :	MKT 01/10		

10/10/2019
 X:\NCDOT\B-4788\Structures\90%\DCN\401.027.B-4788.SMU.EB3.730171.dgn
 User:ZSmith