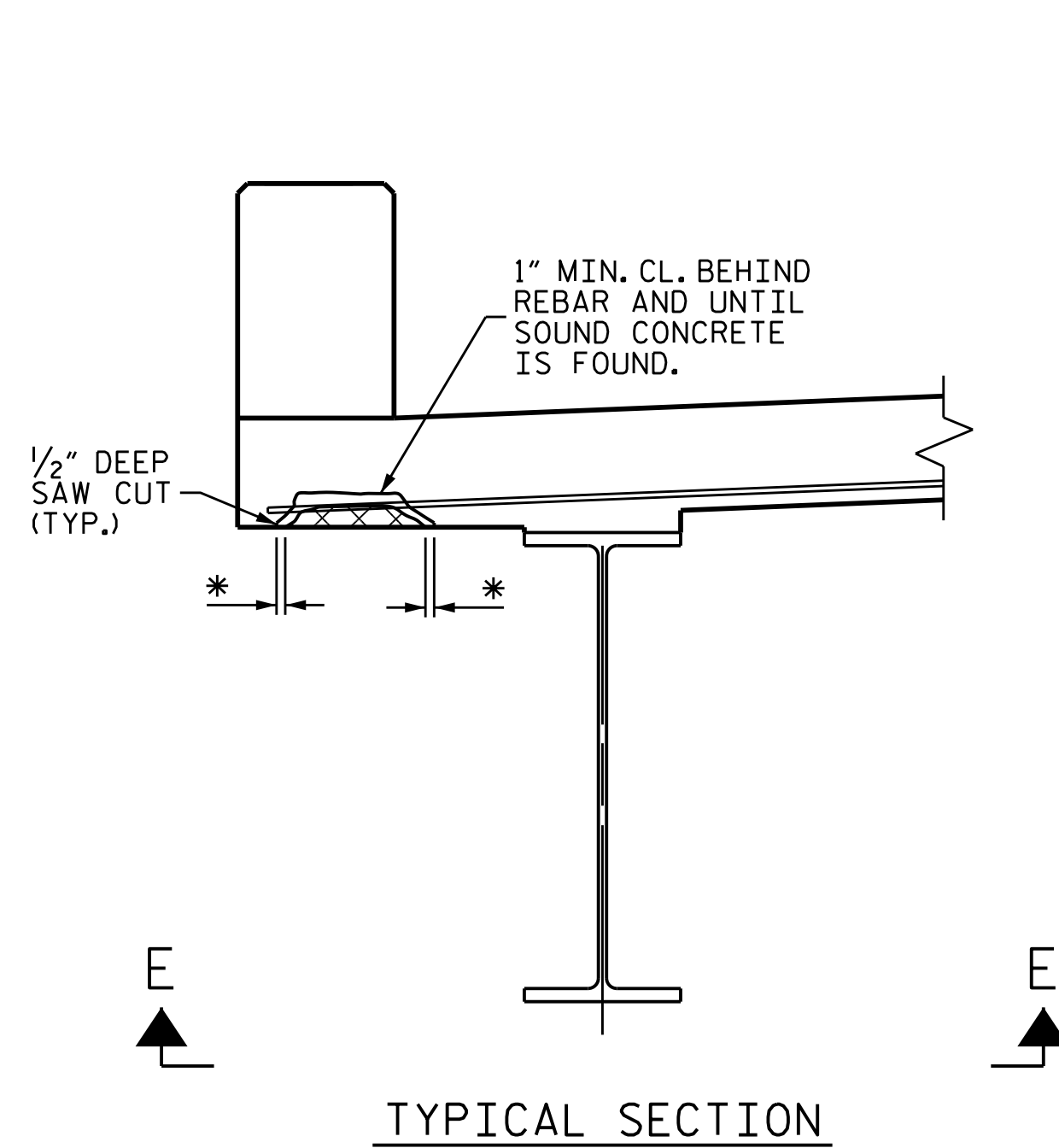
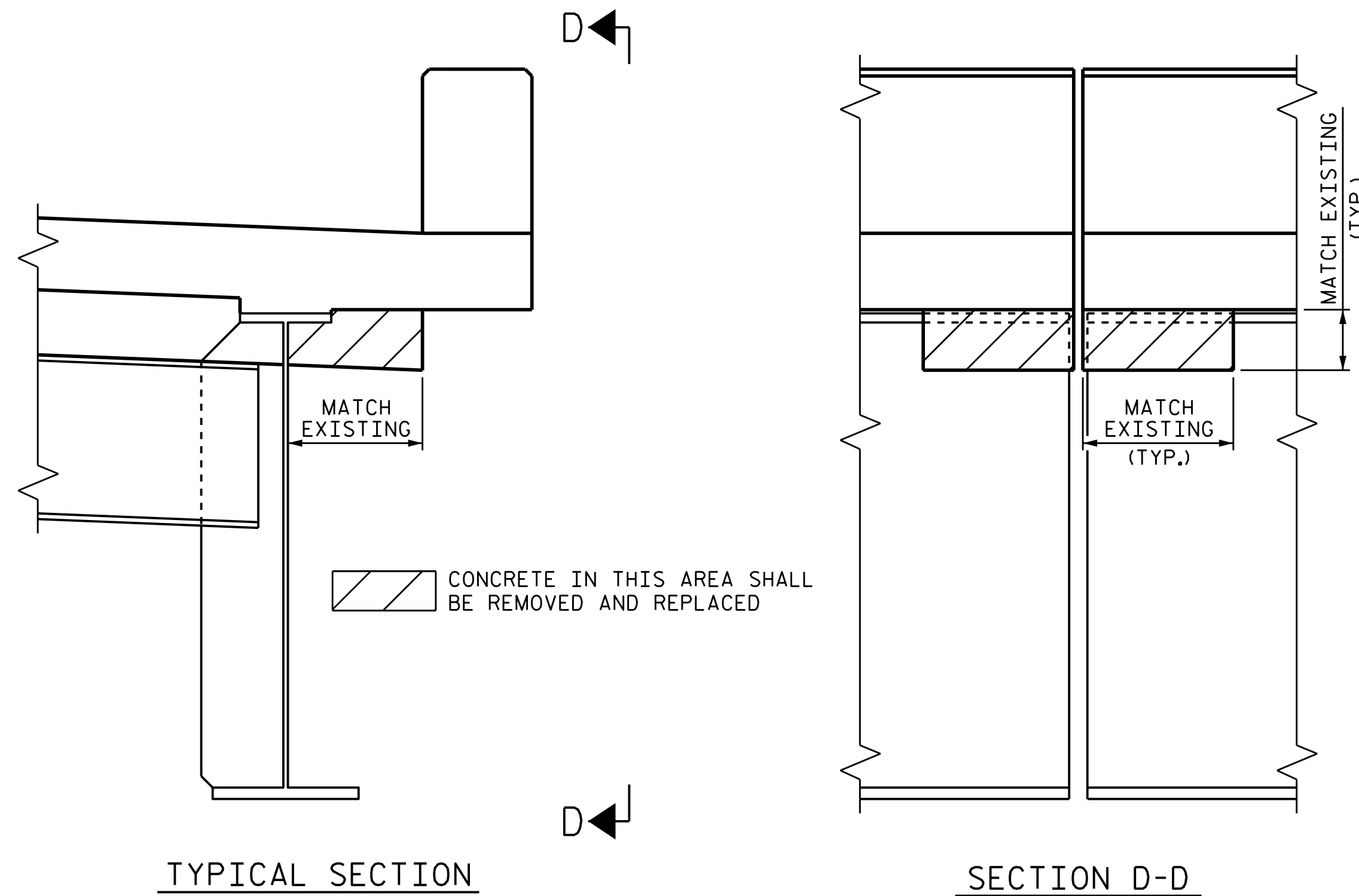


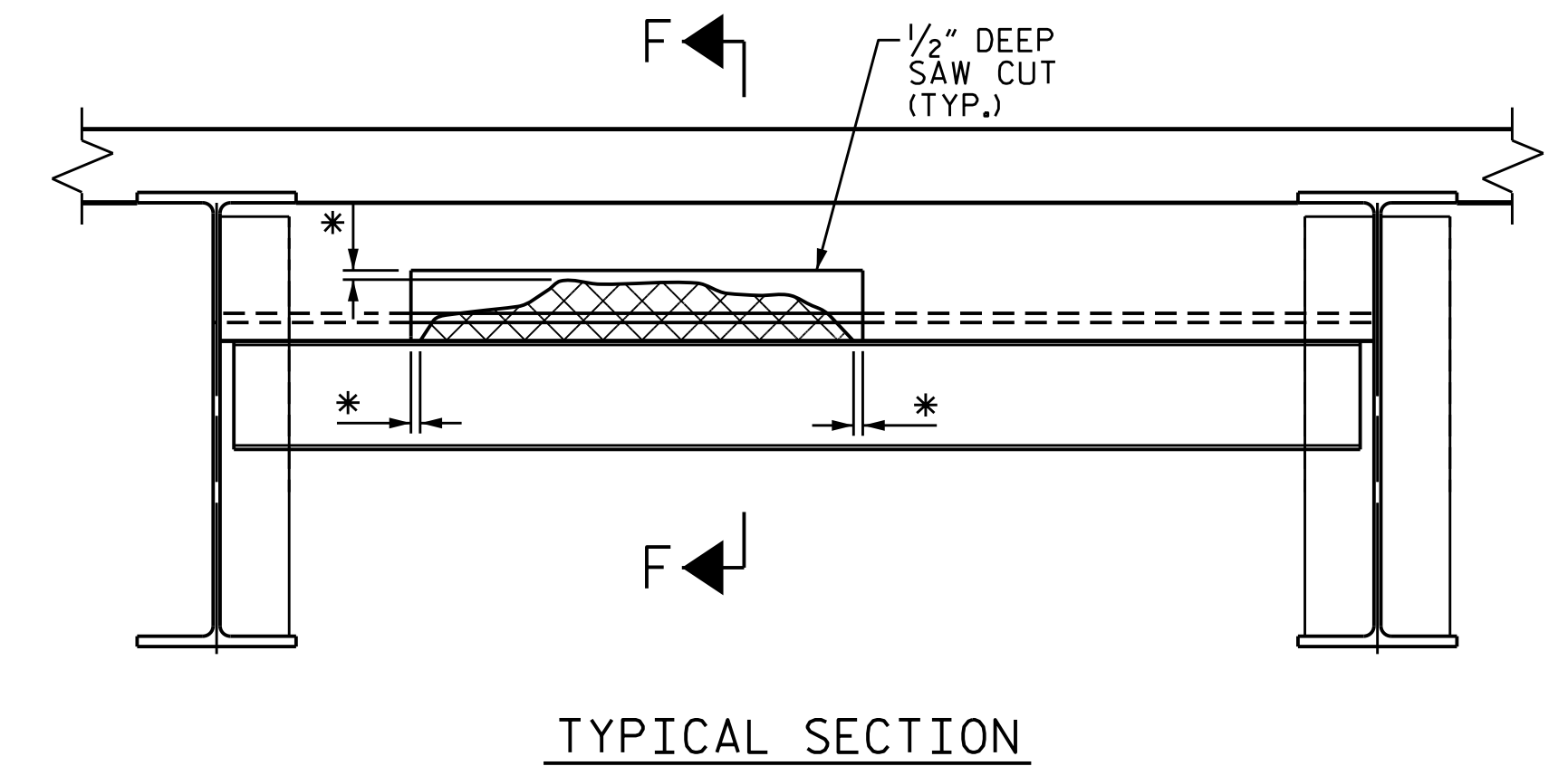
NOTE: OVERHANG DIAPHRAGMS TO BE REMOVED AND REPLACED, ARE SHOWN ON "PLAN OF SPAN" SHEETS. OVERHANG DIAPHRAGMS SHALL BE REMOVED PRIOR TO CLEANING AND PAINTING OF BEAMS AND REPLACED AFTER BEAM REPAIRS AND PAINTING ARE COMPLETE.



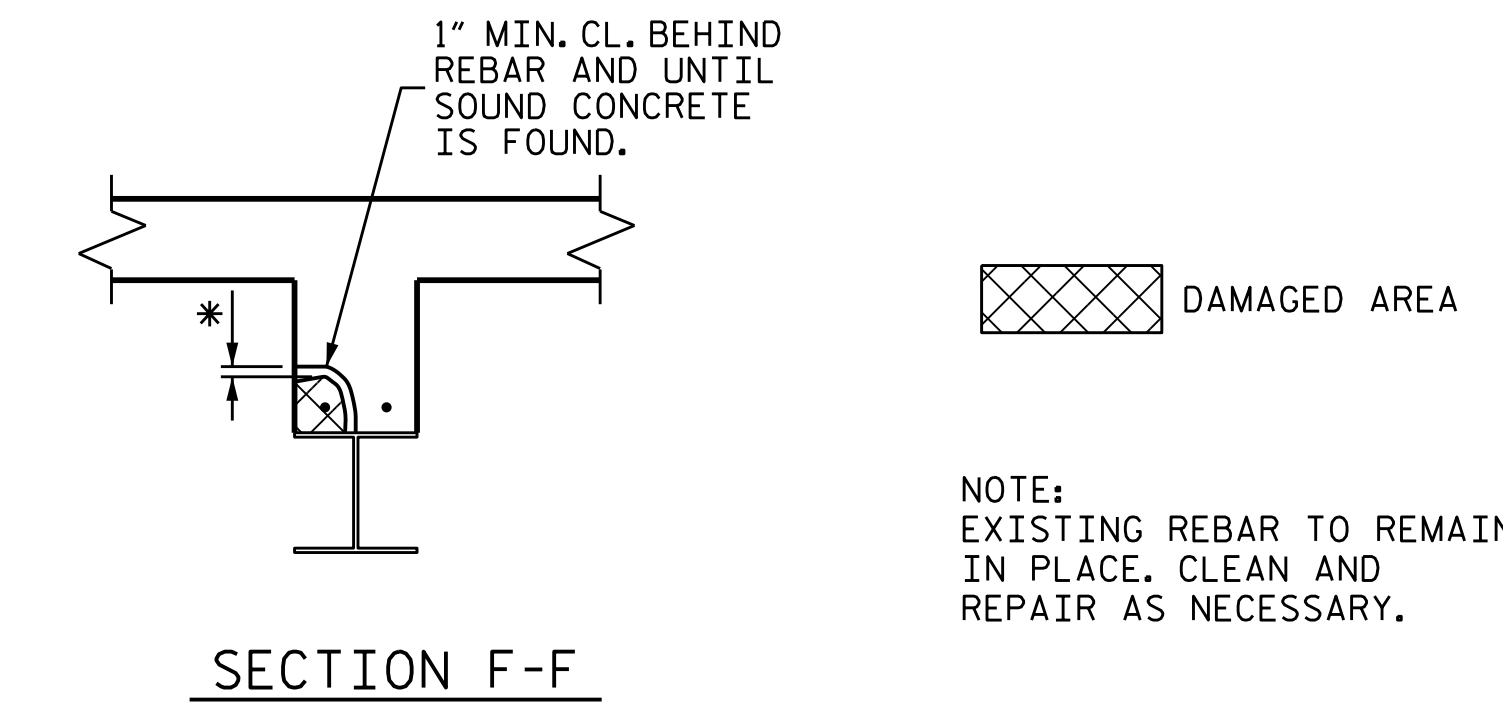
DAMAGED AREA * REMOVE CONCRETE UNTIL SOUND CONCRETE IS FOUND (2" MIN. CL.)



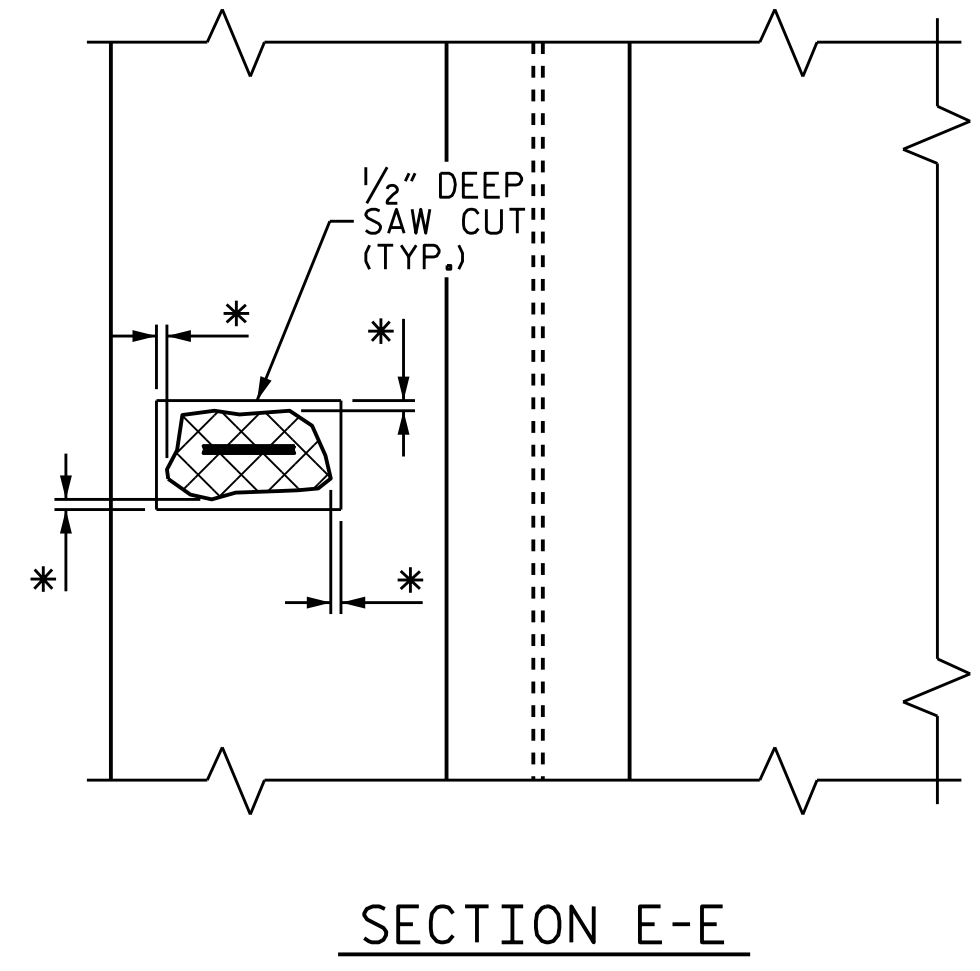
OVERHANG DIAPHRAGM REPLACEMENT DETAILS



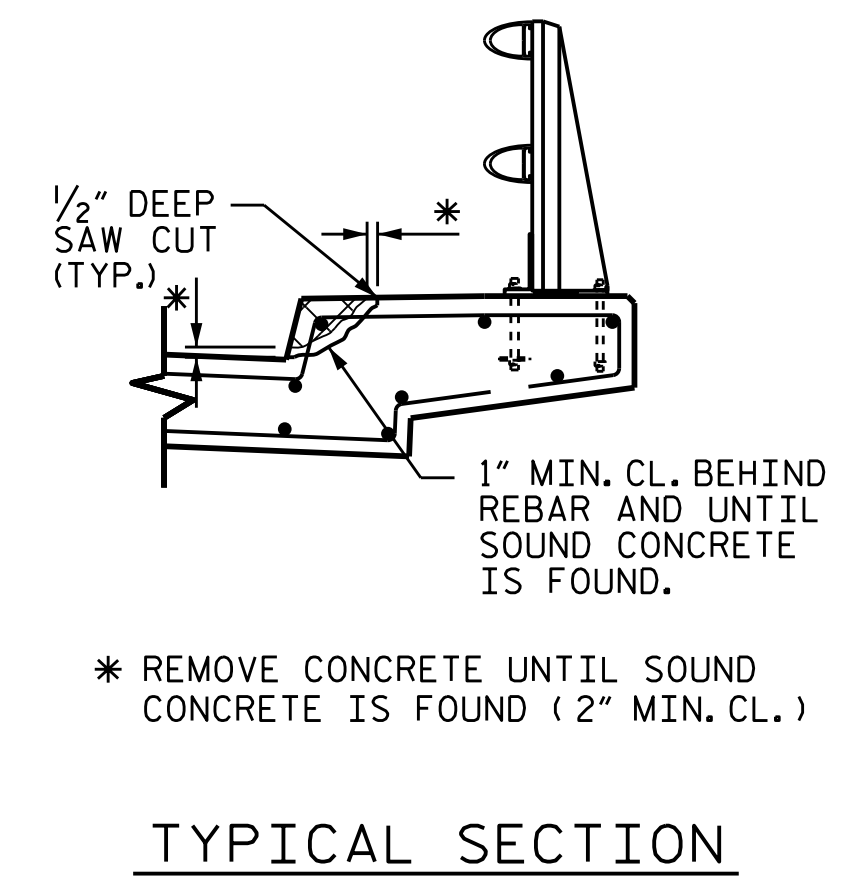
* REMOVE CONCRETE UNTIL SOUND CONCRETE IS FOUND (2" MIN. CL.)



INTERIOR DIAPHRAGM REPAIR DETAILS

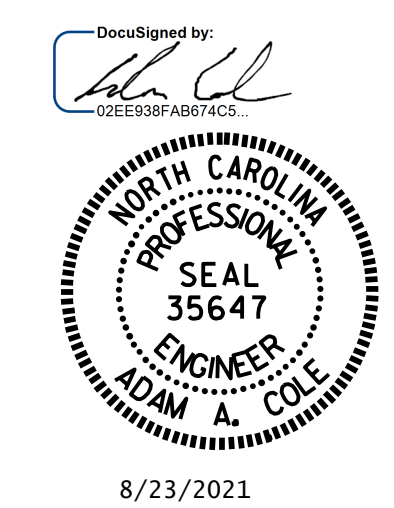


OVERHANG DETAILS



BRIDGE RAIL AND CURB REPAIR DETAILS

PROJ. NO. I-5746C
 MECKLENBURG COUNTY
 BRIDGE NO. 44,138,320,326,327
 328,330,332



STATE OF NORTH CAROLINA
 DEPARTMENT OF TRANSPORTATION
 RALEIGH
 OVERHANG, DIAPHRAGM
 AND BRIDGE RAIL
 REPAIR DETAILS

DRAWN BY : R.L. PUTK DATE : 05/2021
 CHECKED BY : H.A. LOCKLEAR DATE : 05/2021

REVISIONS						SHEET NO.
NO.	BY:	DATE:	NO.	BY:	DATE:	S-270
1			3			TOTAL SHEETS
2			4			274

DOCUMENT NOT CONSIDERED FINAL UNLESS ALL SIGNATURES COMPLETED